



DOWNLOAD MULTILINGUAL  
USER MANUAL

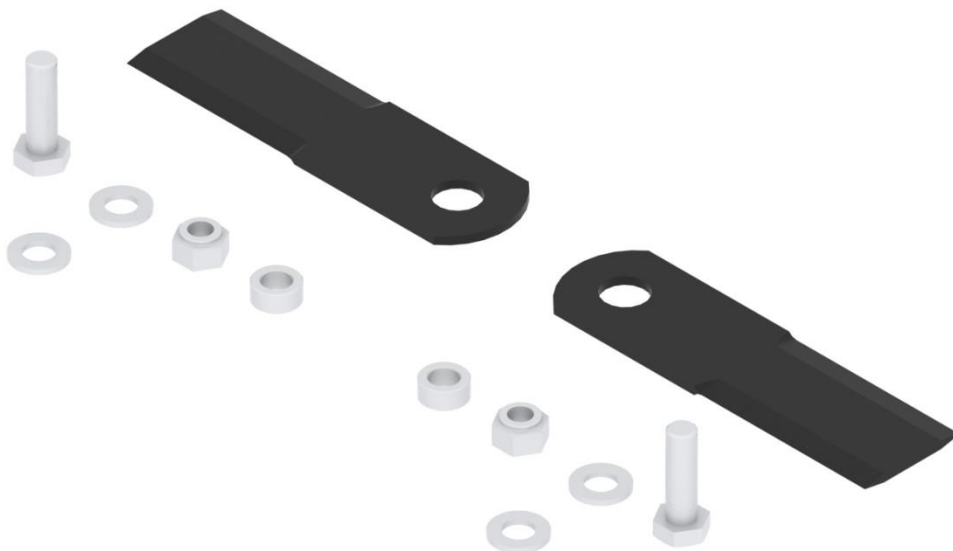


[code.ironbaltic.com/u/ruVuRD9y](https://code.ironbaltic.com/u/ruVuRD9y)

## CUTTING BLADES SET

Code 92.1500

Version 15022024

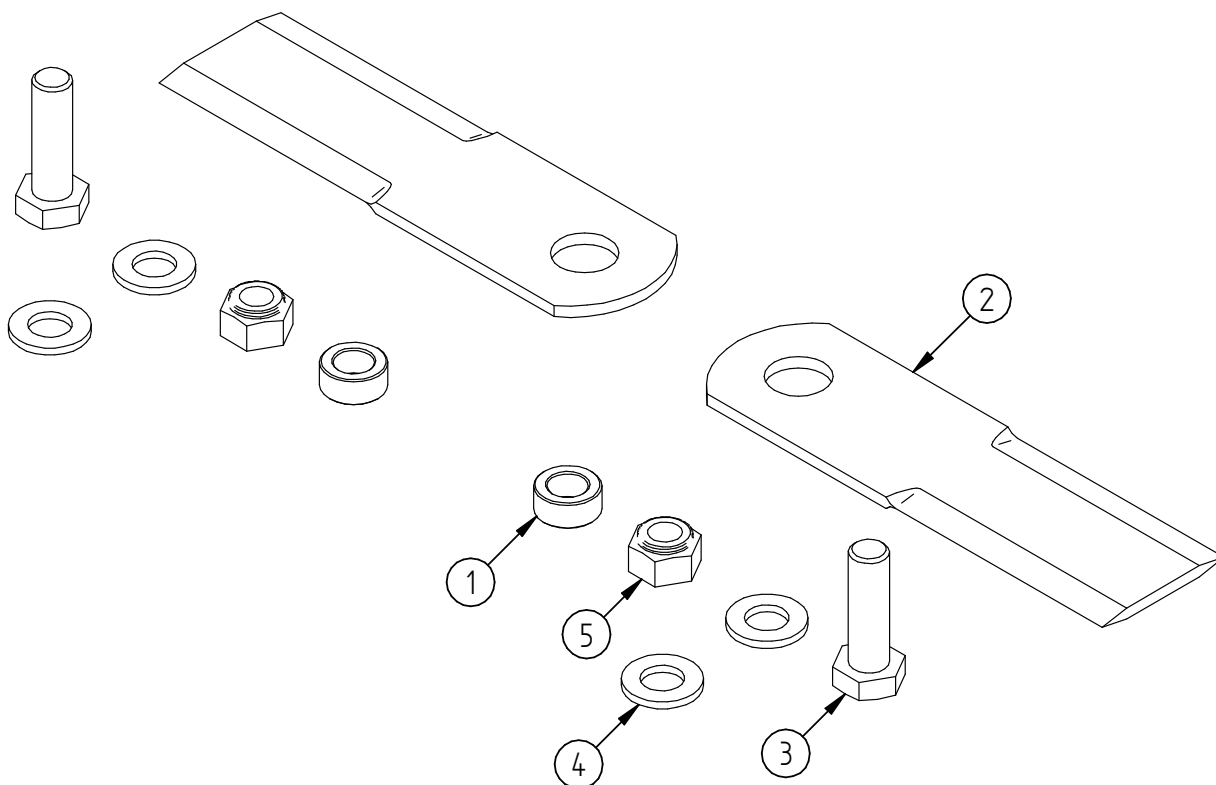


**Keep this manual for future reference!**

If you need any spare parts, please send this packaging data to your local dealer or to Iron Baltic  
[sales@ironbaltic.com](mailto:sales@ironbaltic.com)

# SPECIFICATION

Pos.	Description	Code	Amount
1	Blade bushing	92.1045	2
2	Blade	OT.61.01.022	2
3	Bolt M12x40 DIN933	OT.02.02.410	2
4	Washer Ø12 DIN125	OT.04.01.050	4
5	Nyloc nut M12 DIN985	OT.03.02.060	2



## TOOLS REQUIRED FOR INSTALLATION:

- Spanner 19 mm
- Socket wrench 19 mm

# CUTTING BLADES REPLACEMENT



**BEFORE PERFORMING ANY MAINTENANCE PROCEDURE OR INSPECTION, STOP THE ENGINE, WAIT FIVE MINUTES TO ALLOW ALL PARTS TO COOL. DISCONNECT THE SPARK PLUG WIRE, KEEPING IT AWAY FROM THE SPARK PLUG.**

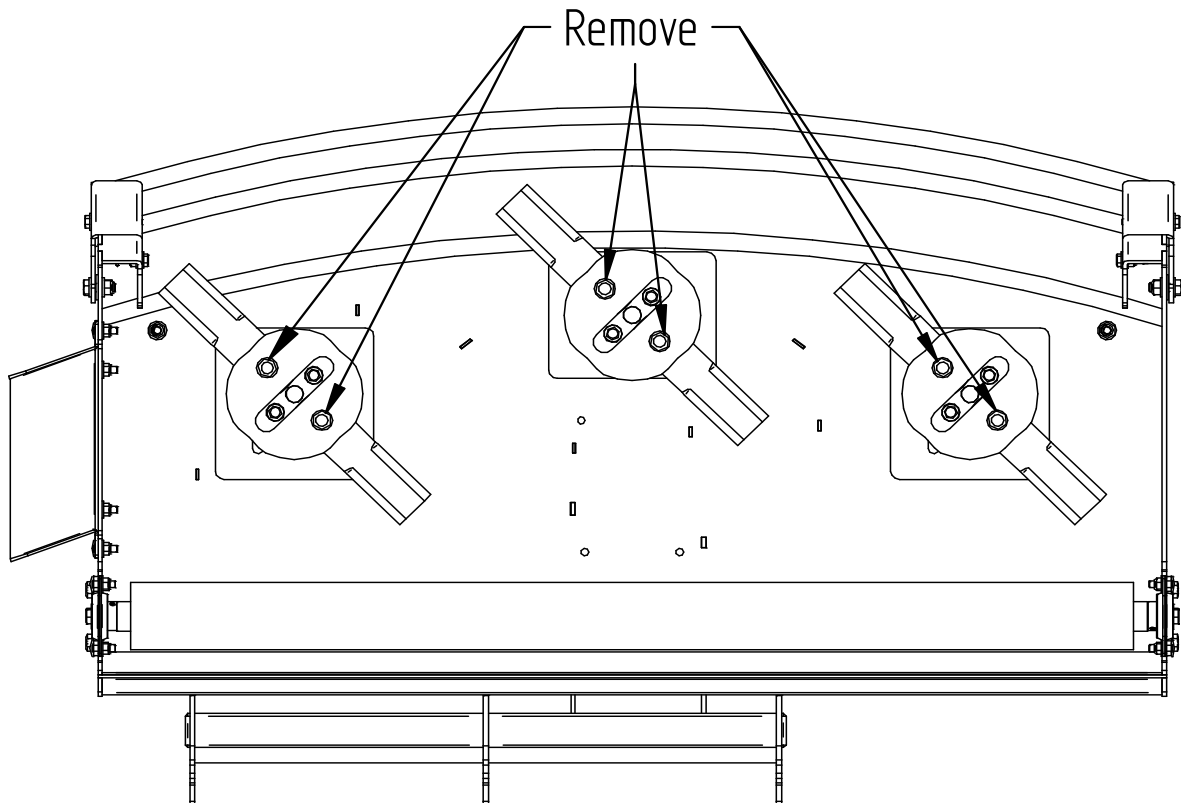
**!! When breaking or losing a blade, it is important to replace it immediately. NB! Use only original spare parts !!**

## Step 1

Ensure brush cutter engine has stopped and the blades have stopped rotating. Switch off the fuel tap and let the machine cool down. Disconnect the spark plug to ensure the engine cannot be started while changing blades.

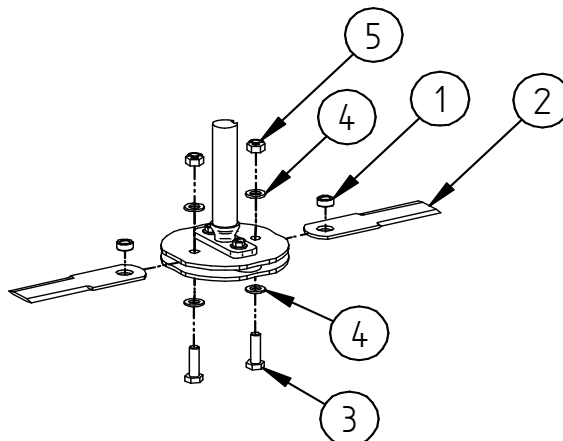
## Step 2

Remove the blade mounting bolts and nuts.



## Step 3

Replace or turn around blades (note the direction of rotation). Insert the bushing (Pos.1) into the blade hole and fasten blade to the holder securely. **NB! When replacing the blade, ensure to use a new bushing!**



# IRON BALTIC

IRON BALTIC OÜ  
Joa tee 17  
Vääna 76903  
Estonia / Europe

+372 6 533 711  
[sales@ironbaltic.com](mailto:sales@ironbaltic.com)

[www.ironbaltic.com](http://www.ironbaltic.com)  
[www.facebook.com/ironbaltic](https://www.facebook.com/ironbaltic)  
[www.youtube.com/user/ironbalticLtd](https://www.youtube.com/user/ironbalticLtd)

