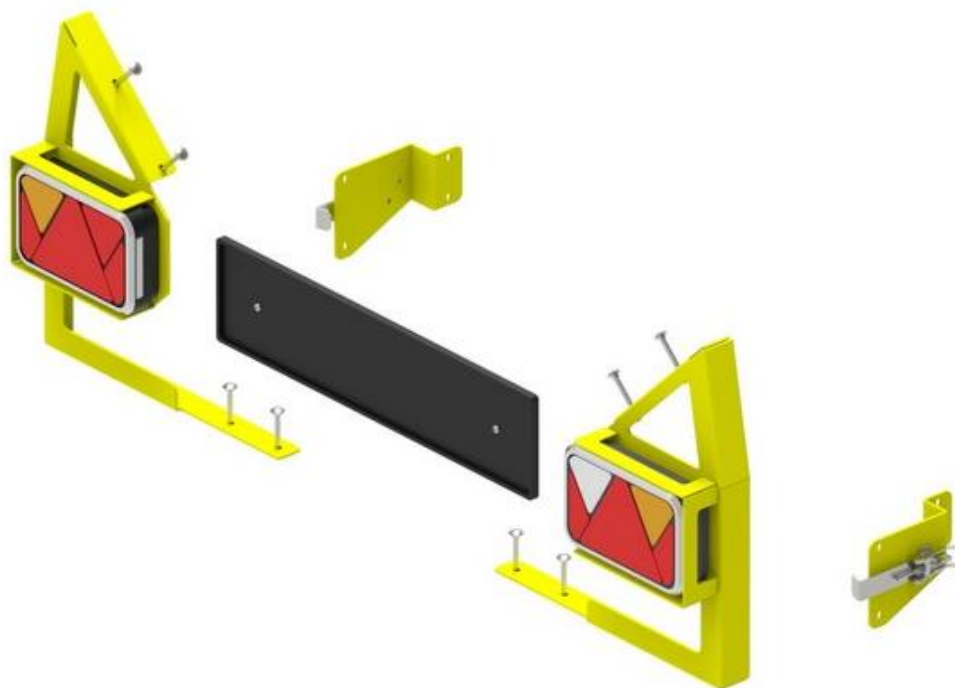


LIGHTS KIT For OFFROAD 500 trailer

Code 86.6100

Version 20102023



Keep this manual for future reference!

If you need any spare parts, please send this packaging data to your local dealer or to Iron Baltic sales@ironbaltic.com

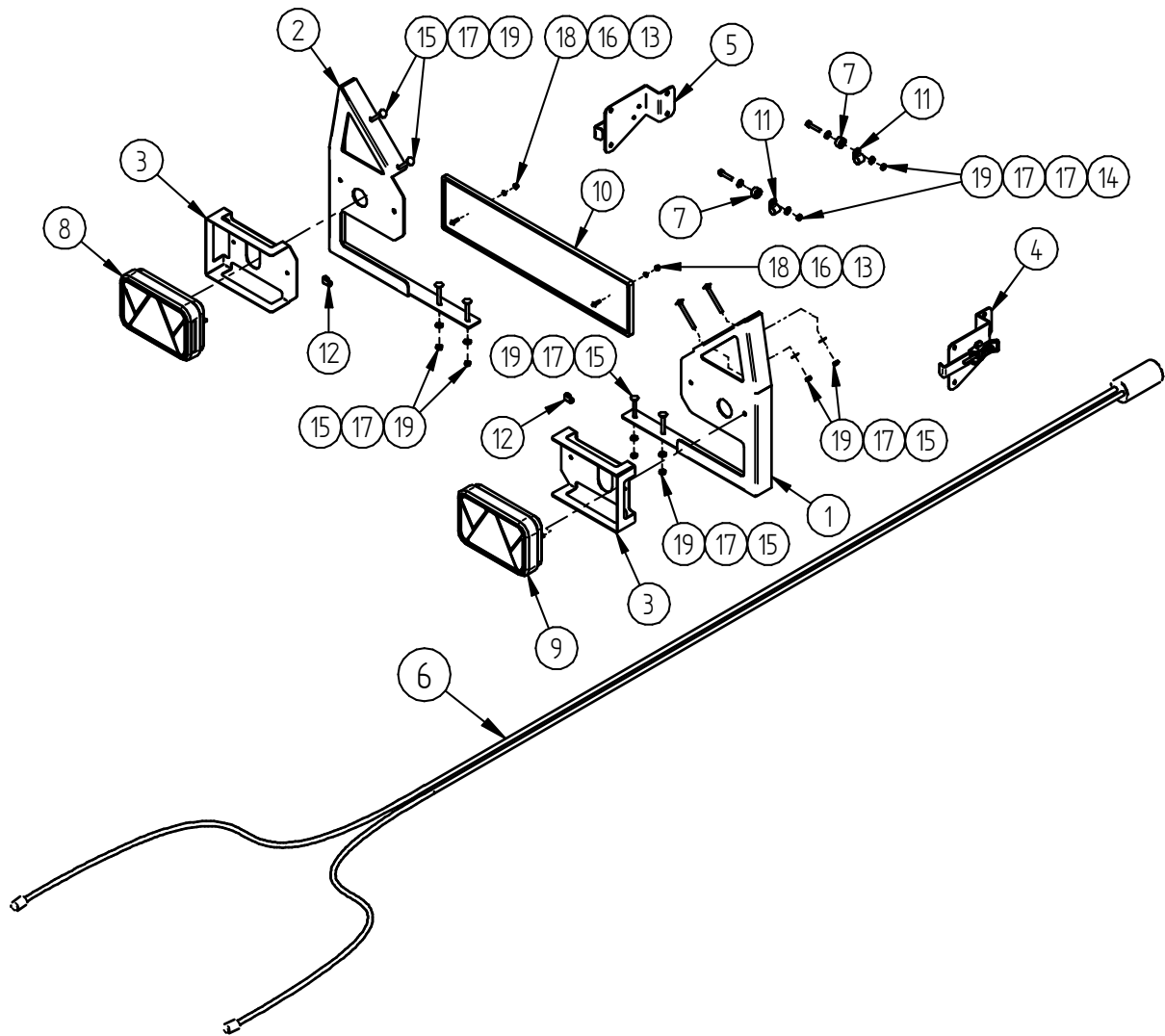
SPECIFICATION

Pos.	Description	Code	Amount
1	Light carrier right	86.6001	1
2	Light carrier left	86.6002	1
3	Light cover	86.6003	2
4	Hatch lock assembly right	86.6004K	1
5	Hatch lock assembly left	86.6005K	1
6	Cable set OFFROAD500	86.6100JUH	1
7	Bushing 8/20-10	05.7102	2
8	Rear light left FT-270	OT.10.13.050	1
9	Rear light right FT-270	OT.10.13.040	1
10	License plate base	OT.10.12.010	1
11	Cable clamp LSFG14	OT.05.02.014	2
12	Cable clamp LSFG08	OT.34.00.012	2
13	Bolt M5x16 ISO7380	OT.02.03.003	2
14	Bolt M6x30 DIN933	OT.02.02.080	2
15	Carriage bolt M6x60 DIN603	OT.02.05.028	8
16	Washer Ø5 DIN125	OT.04.01.010	2
17	Washer Ø6/15 SFS3738	OT.04.03.020	12
18	Nyloc nut M5 DIN985	OT.03.02.020	2
19	Nyloc nut M6 DIN985	OT.03.02.030	10
20	Cable tie 7.8x375	PM.11.00.005	5



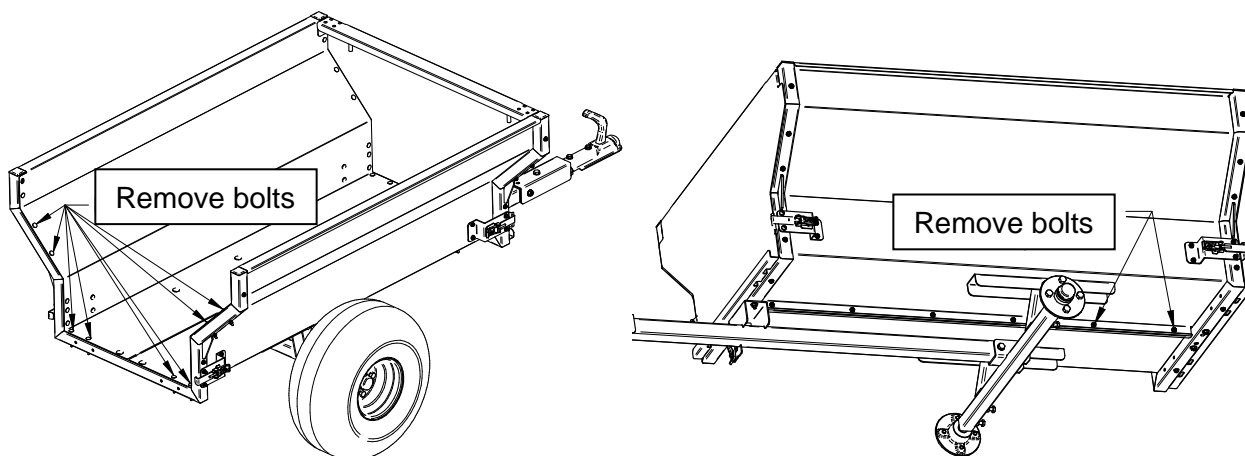
TOOLS REQUIRED FOR INSTALLATION:

- Spanner 8 mm
- Spanner 10 mm
- Socket wrench 10 mm
- Hexacon wrench 3 mm
- Drill 5 mm

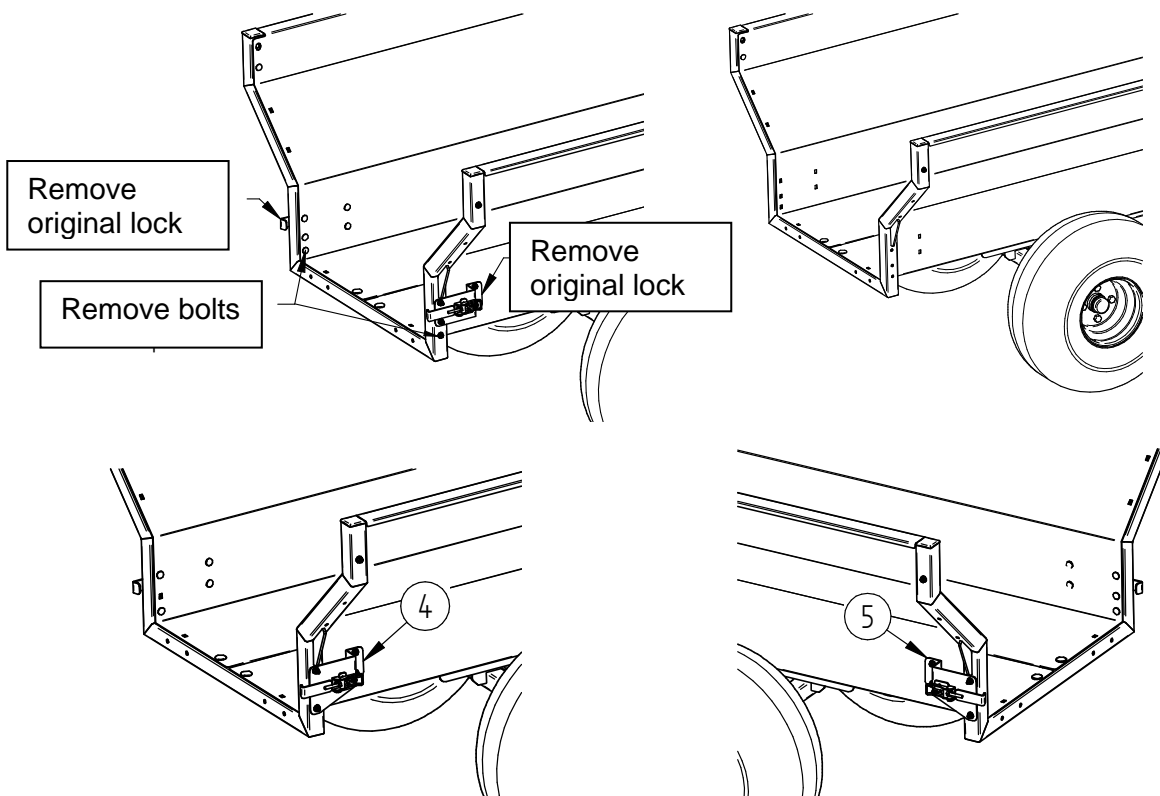


FITTING INSTRUCTIONS

Step 1 Remove the bolts from the rear frame of the box as shown in the figure (8 pcs) and remove the bolts from the bottom of the box as shown in the figure (2 pcs).

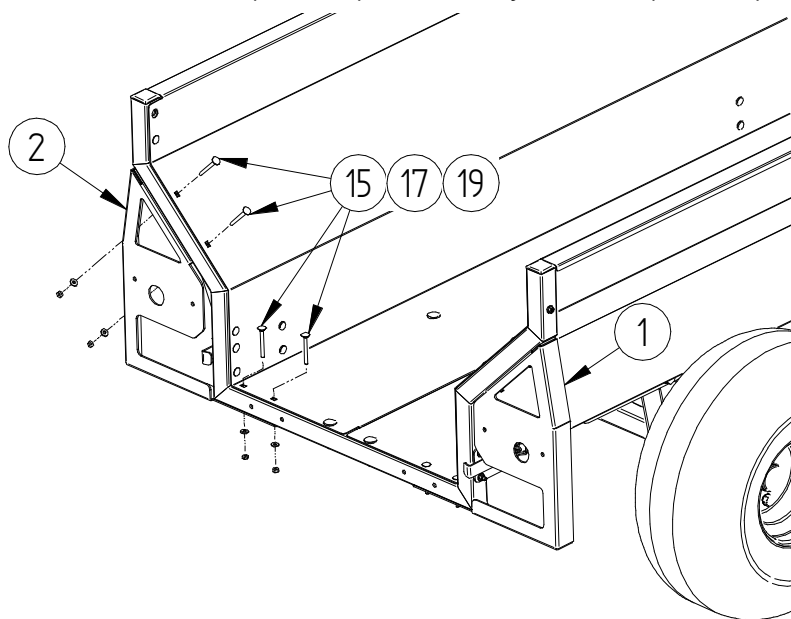


Step 2 If your trailer is manufactured **after 20.10.2023**, then skip this step. If your trailer is manufactured **before 20.10.2023**, then remove two more bolts and rear hatch original locks with the plates and replace them with new ones in the kit (Pos.4 and Pos.5). Use previously removed original bolts for fastening.



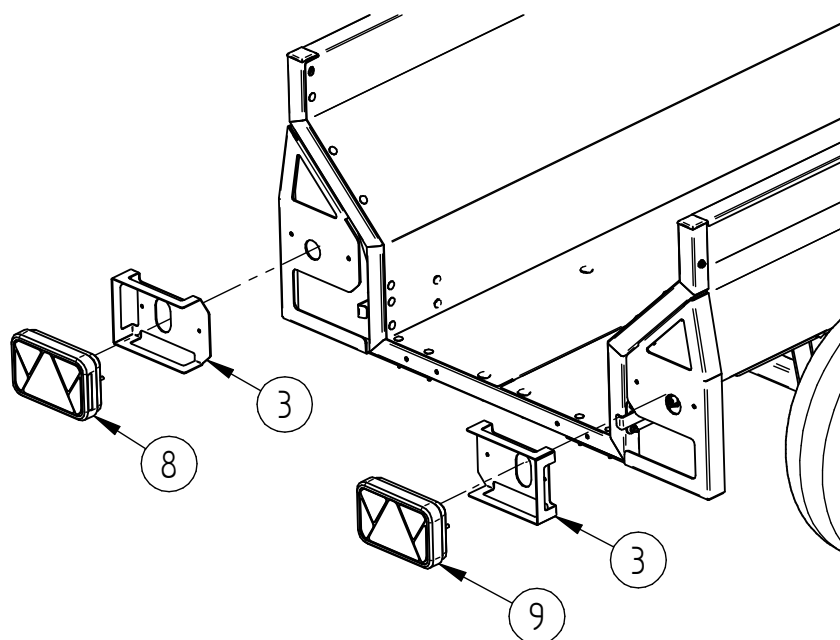
Step 3

Install the light carriers (Pos.1 and Pos.2). For fastening use m6x60 carriage bolts (Pos.15), Ø6 mm washers (Pos.17) and M6 nyloc nuts (Pos.19).



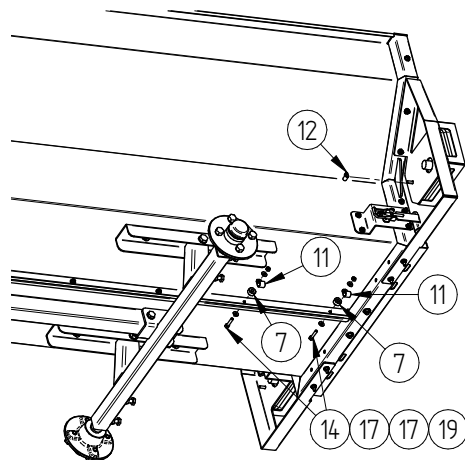
Step 4

Install rear lights (Pos.8 and Pos.9) together with the light covers (Pos.3). For fastening use nuts included with the lights.



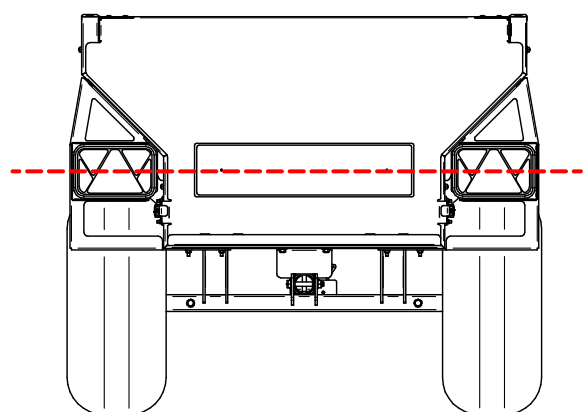
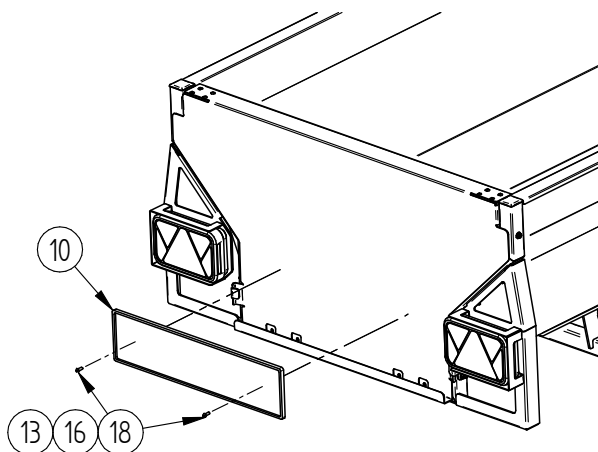
Step 5

Install the cable set (Pos.6). Fasten cable under the cargo box with clamps (Pos.11) together with bushings (Pos.7), M6x30 bolts (Pos.14), Ø6 mm washers (Pos.17) and M6 nyloc nuts (Pos.19). Then fasten cable to the light carrier with wire clamps (Pos.12) and secure the cable to the trailer frame with cable ties (Pos.20). Make sure that the wiring is not fixed too tight and that there is enough room for the wire to move when cargo box is tilted.



Step 6

Drill Ø5 mm holes (2pcs) in the cargo box hatch and install the license plate base (Pos.10) using M5x16 bolts (Pos.13), Ø5 mm washers (Pos.16) and M5 nyloc nuts (Pos.18). Make sure the licence plate is in line with the taillights.





IRON BALTIC

IRON BALTIC OÜ
Põldmäe tee 1
Vatsla 76915
Estonia / Europe

+372 6 533 711
sales@ironbaltic.com

www.ironbaltic.com
www.facebook.com/ironbaltic
www.youtube.com/user/ironbalticLtd

