

IRON BALTIC

SIDE PANELS EXTENSIONS

DOWNLOAD MULTILINGUAL
USER MANUAL



code.ironbaltic.com/u/sdU9GJFT

IB-1200

Code 86.5200

Version 09012024



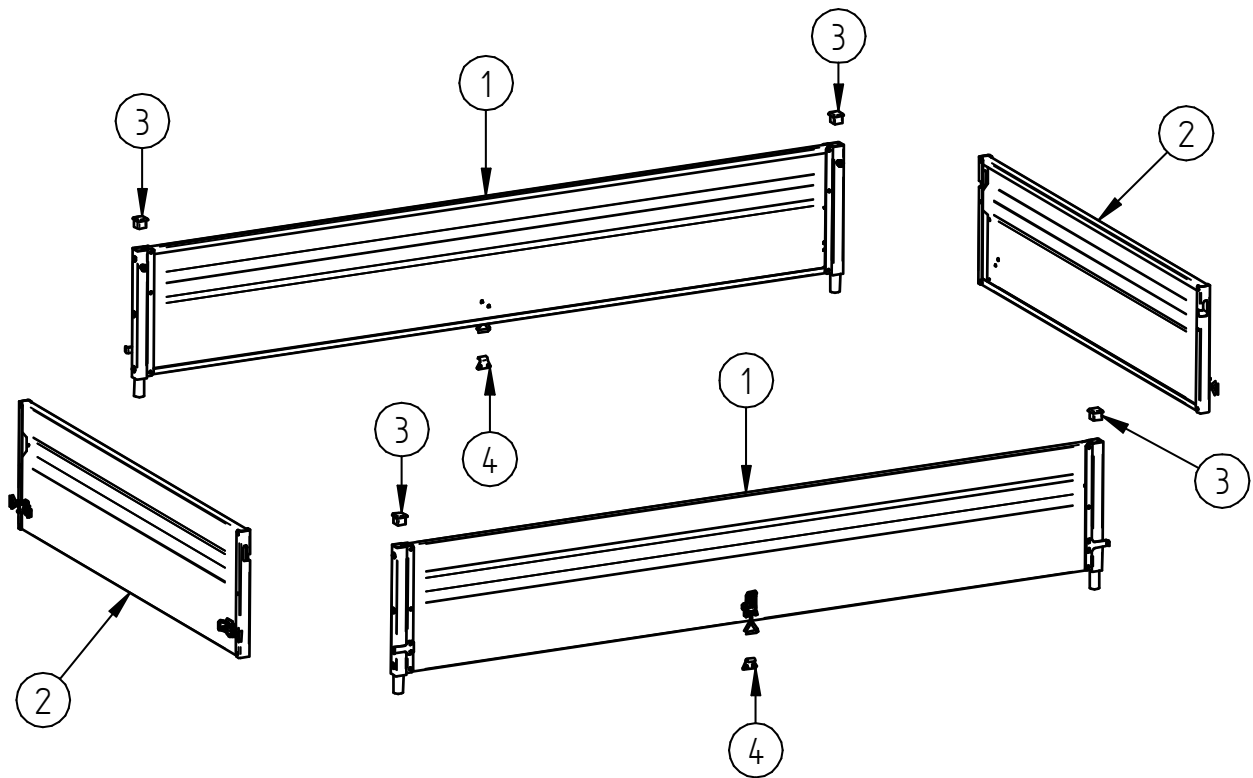
Keep this manual for future reference!

If you need any spare parts, please send this packaging data to your local dealer or to Iron Baltic
sales@ironbaltic.com

Iron Baltic Ltd | +372 653 3711 | sales@ironbaltic.com | www.ironbaltic.com

SPECIFICATION

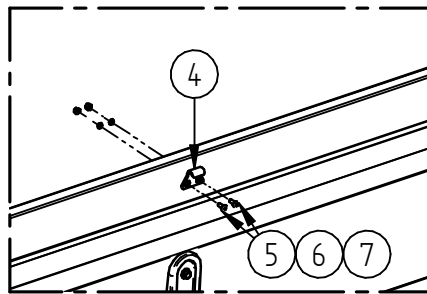
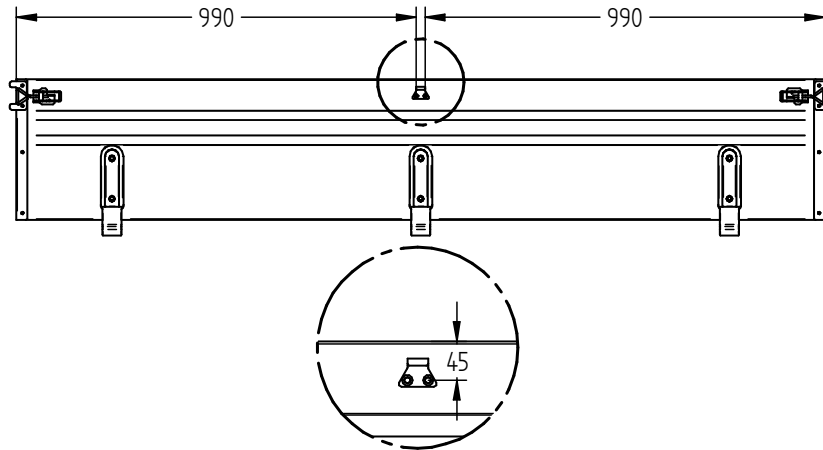
Pos.	Description	Code	Amount
1	Side panel extension	86.5201K	2
2	End panel extension	86.5207K	2
3	Tube cap 30x30	OT.25.00.009	4
4	Clamp hook plate	OT.10.04.021	2
5	Bolt M5x12 ISO7380	OT.02.03.002	4
6	Washer Ø5 DIN125	OT.04.01.010	4
7	Nyloc nut M5 DIN985	OT.03.02.020	4



FITTING INSTRUCTIONS

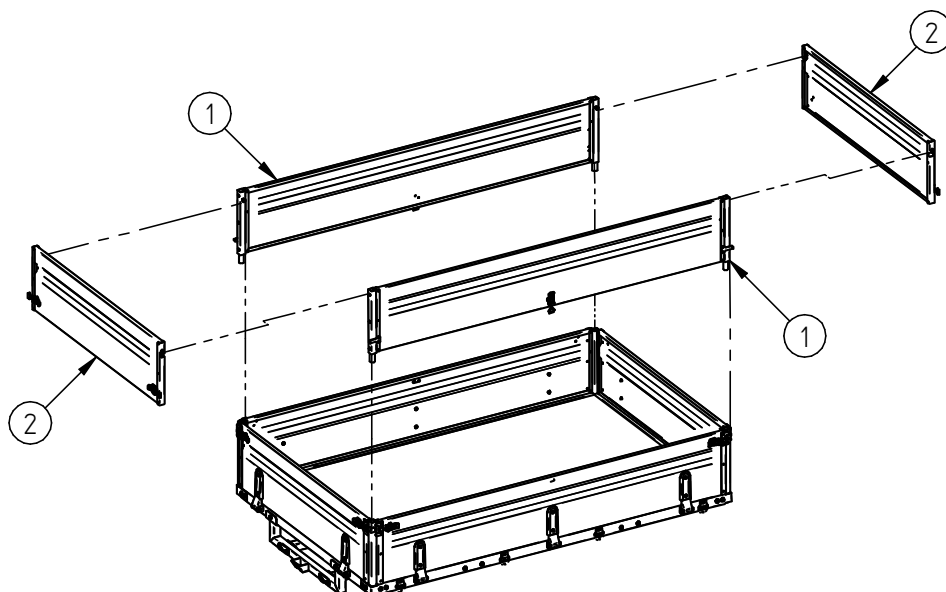
Step 1

Drill two $\text{Ø}5$ mm holes in the flatbed side panels to install the clamp hook plate (Pos.4). For fastening use M5x12 bolts (Pos.5), $\text{Ø}5$ mm washers (Pos.6) and M5 nyloc nuts (Pos.7).



Step 2

Install side extensions to flatbed and fix the position with the clamps (adjust the clamps if necessary). Then install end extensions (Pos.2) and secure these to the side extensions with latches (adjust the latches if necessary).



IRON BALTIC

IRON BALTIC OÜ
Joa tee 17
Vääna 76903
Estonia / Europe

+372 6 533 711
sales@ironbaltic.com

www.ironbaltic.com
www.facebook.com/ironbaltic
www.youtube.com/user/ironbalticLtd

