

IRON BALTIC

DOWNLOAD MULTILINGUAL
USER MANUAL



code.ironbaltic.com/u/wBzIX1CP

LIFT CYLINDER HOLDER

AODES PATHCROSS 525

Code 71.12700

Version 08082025



Keep this manual for future reference!

If you need any spare parts, please send this packaging data to your local dealer or to Iron Baltic
sales@ironbaltic.com

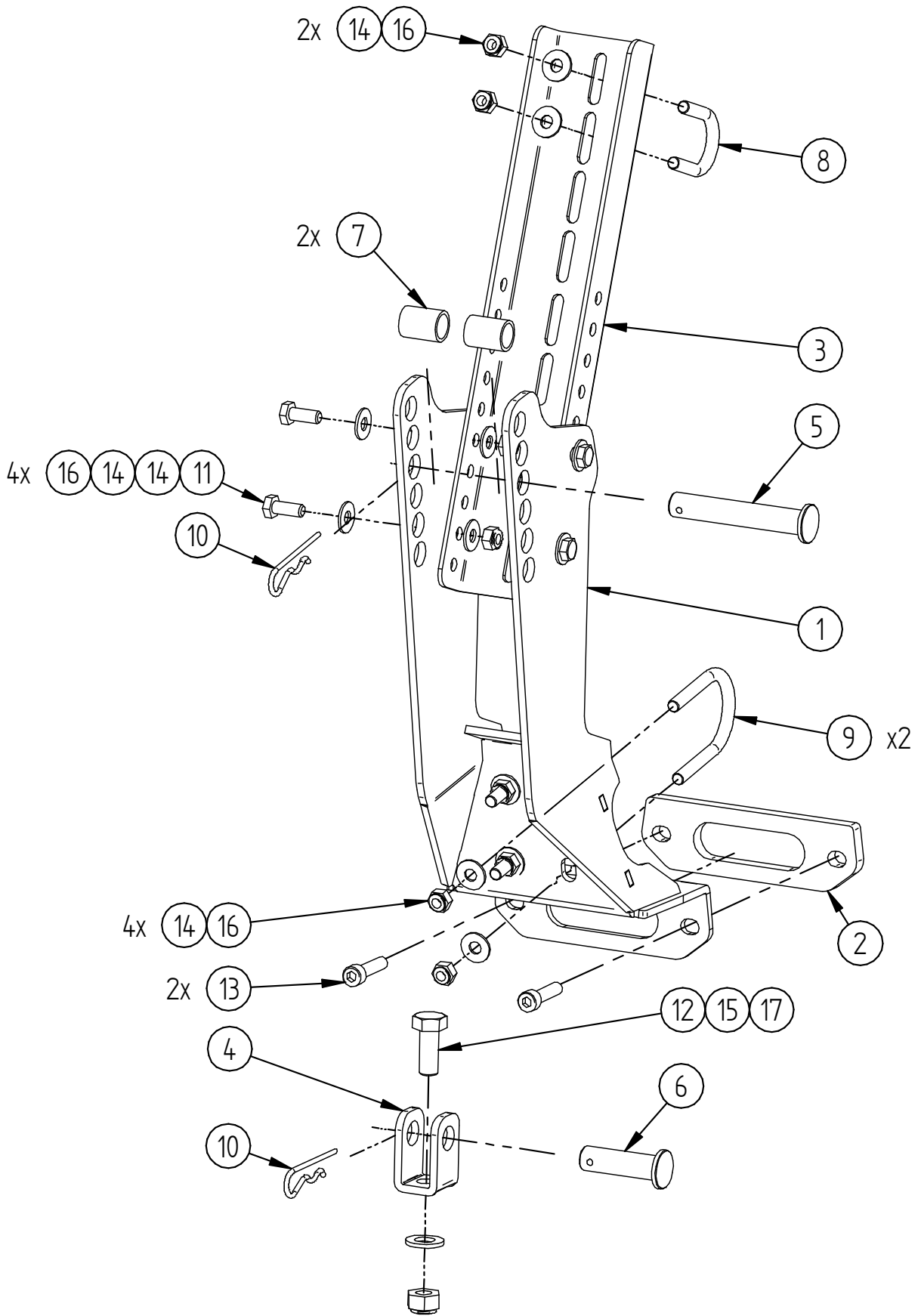
SPECIFICATION

Pos	Description	Code	Amount
1	Cylinder holder	71.12701K	1
2	Distance plate	71.12704	1
3	Upper mount for cylinder holder	71.3002	1
4	Cylinder mount for frame	71.3003	1
5	Cylinder upper pin	71.3004	1
6	Cylinder bottom pin	71.3005	1
7	Distance bushing (for hydraulic cylinder)	71.3006	2
8	U-clamp 8x28	OT.05.01.010	1
9	U-clamp 8x42	OT.05.01.040	2
10	Cotter pin 3 DIN11024	OT.07.01.020	2
11	Bolt M8x20 DIN933	OT.02.02.180	4
12	Bolt M12x30 DIN933	OT.02.02.390	1
13	Bolt M8x35 DIN912	OT.02.06.052	2
14	Washer Ø8/20 SFS3738	OT.04.03.030	14
15	Washer Ø12 DIN125	OT.04.01.050	1
16	Nyloc nut M8 DIN985	OT.03.02.040	10
17	Nyloc nut M12 DIN985	OT.03.02.060	1



TOOLS REQUIRED FOR INSTALLATION:

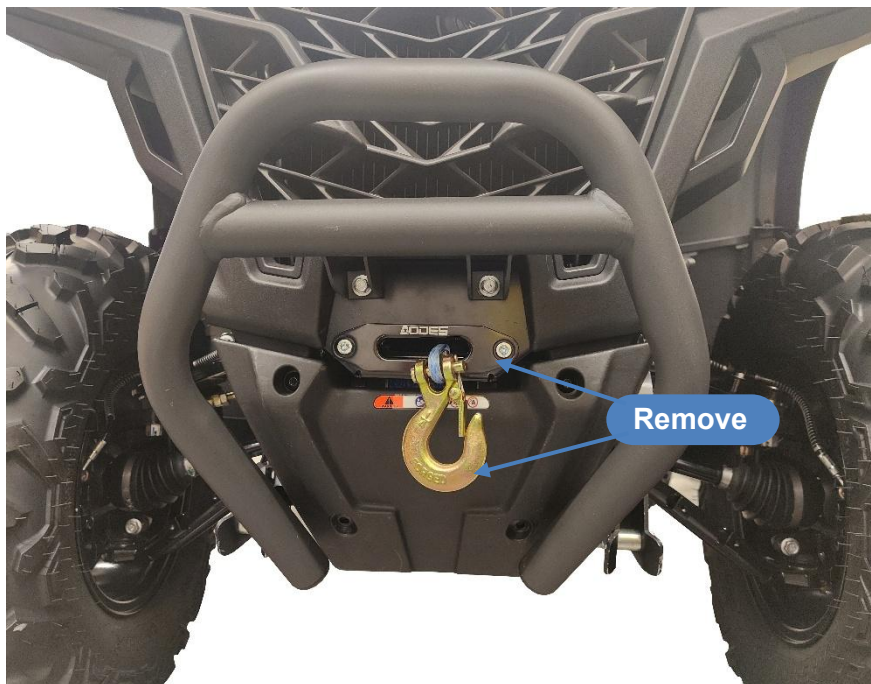
- Spanner 13mm
- Allen wrench 6mm
- Socket wrench 13mm
- Socket wrench 19mm



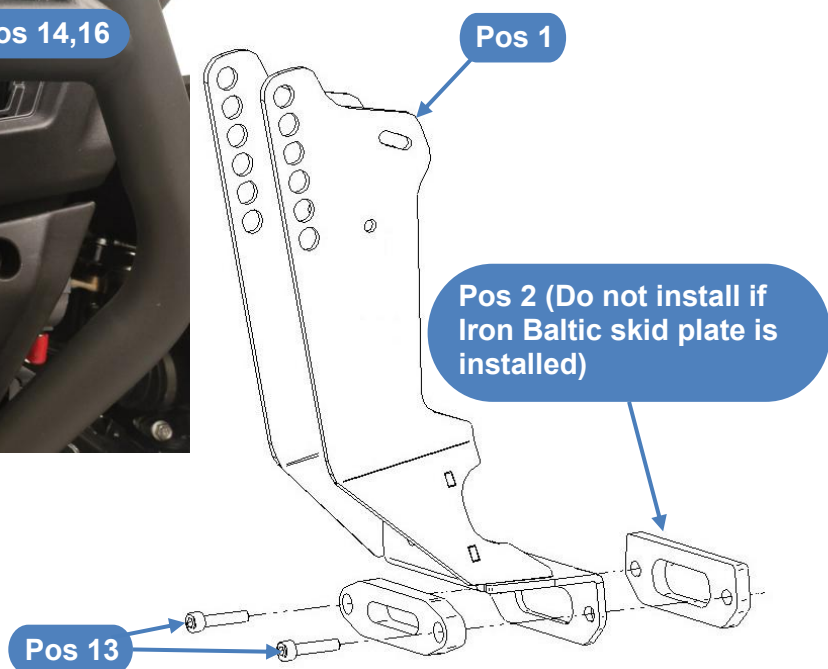
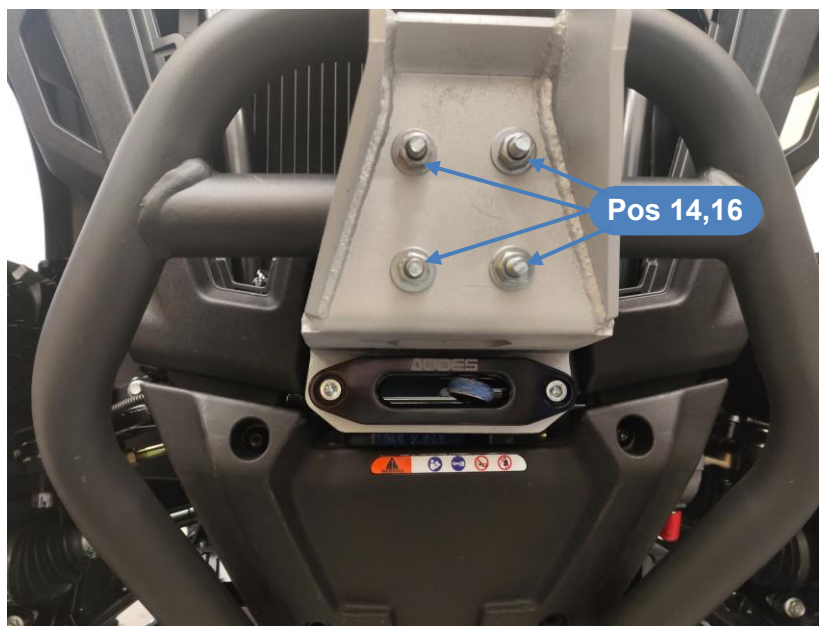
Numbers on drawing correspond to Pos numbers on specification table.

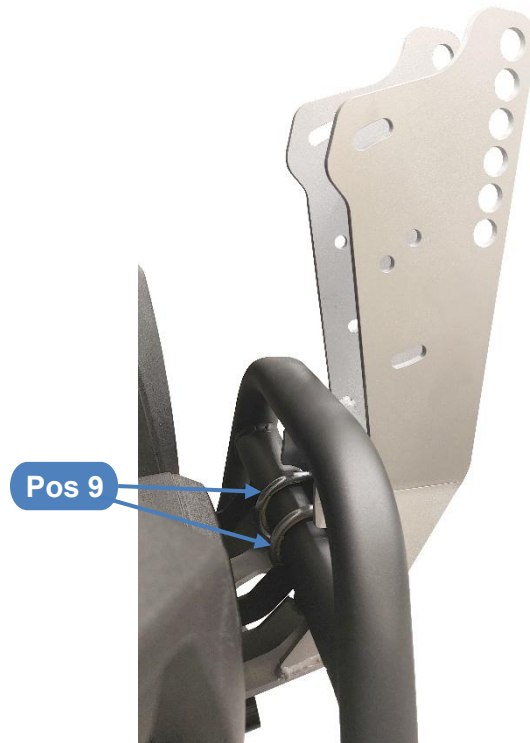
FITTING INSTRUCTIONS

Step 1 Remove winch hook and fairlead.



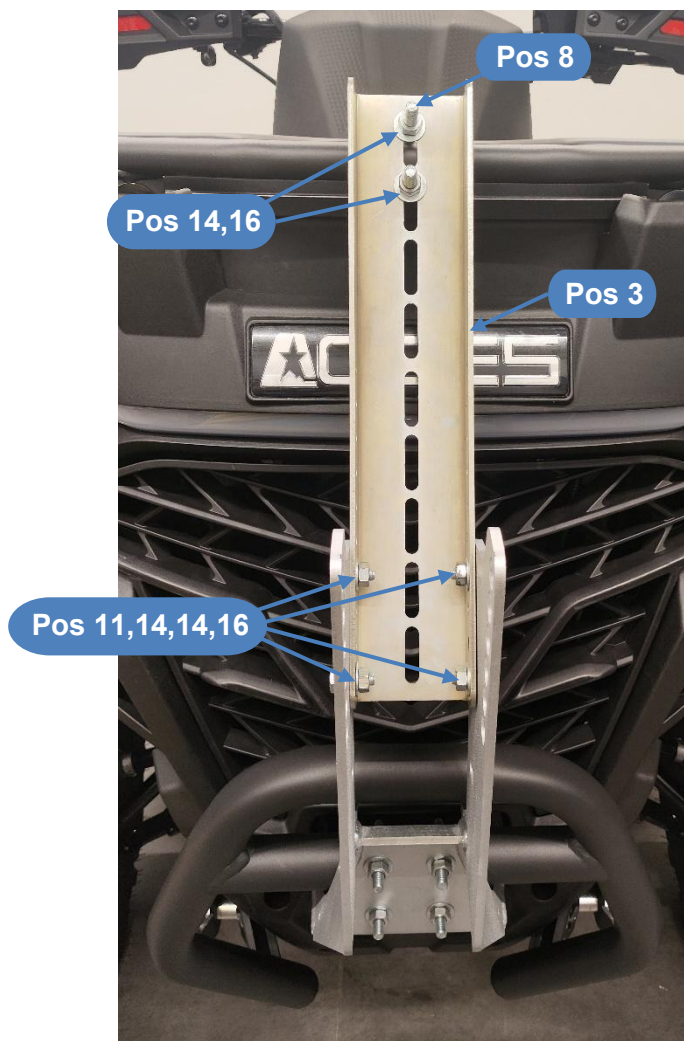
Step 2 Install cylinder holder (Pos. 1). For fastening use M8x35 bolts (Pos. 13), 8x42 U-clamps (Pos. 9), Ø8 washers (Pos. 14) and M8 nyloc nuts (Pos. 16). Between ATV and cylinder holder install distance plate (Pos. 2). **Do not install distance plate if Iron Baltic skid plate is installed!**





Step 3

Install upper mount for cylinder holder (Pos. 3). For fastening use M8x20 bolts (Pos. 11), 8x28 U-clamp (Pos. 8), Ø8 washers (Pos. 14) and M8 nyloc nuts (Pos. 16).



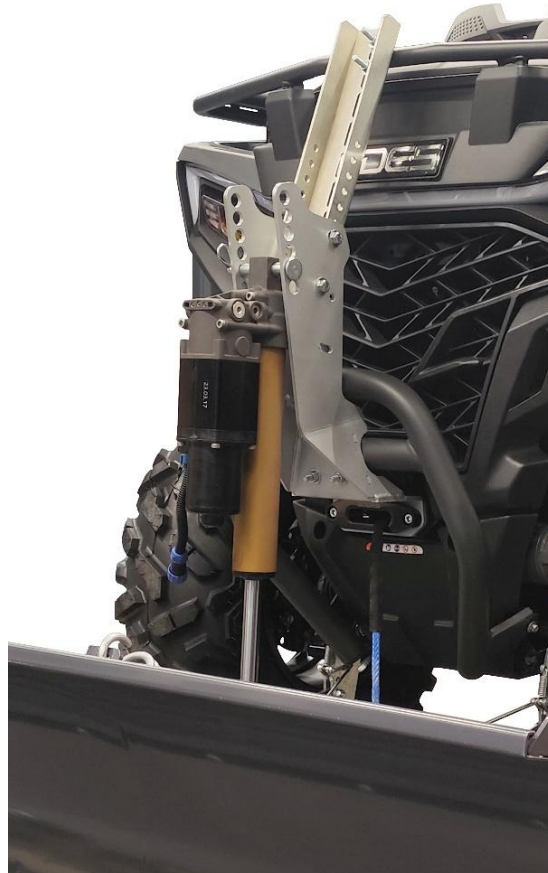
Step 4

Install cylinder mount (Pos. 4) to plow frame. For fastening use M12x30 bolt (Pos. 12), Ø12 washer (Pos. 15) and M12 nyloc nut (Pos. 17).



Step 5

Install cylinder. For fastening use cylinder upper pin (Pos. 5), lower pin (Pos. 6) and cotter pins (Pos. 10). If installing hydraulic cylinder, add bushings (Pos. 7) between the cylinder and cylinder holder.



IRON BALTIC

IRON BALTIC OÜ
Joa tee 17
Vääna 76903
Estonia / Europe

+372 6 533 711
sales@ironbaltic.com

www.ironbaltic.com
www.facebook.com/ironbaltic
www.youtube.com/user/ironbalticld

