

# IRON BALTIC

## ICE BLADE SNOW ROLLER 1450

Code 47.6200

Version 10042024



DOWNLOAD MULTILINGUAL  
USER MANUAL



[code.ironbaltic.com/u/po5lp13F](https://code.ironbaltic.com/u/po5lp13F)

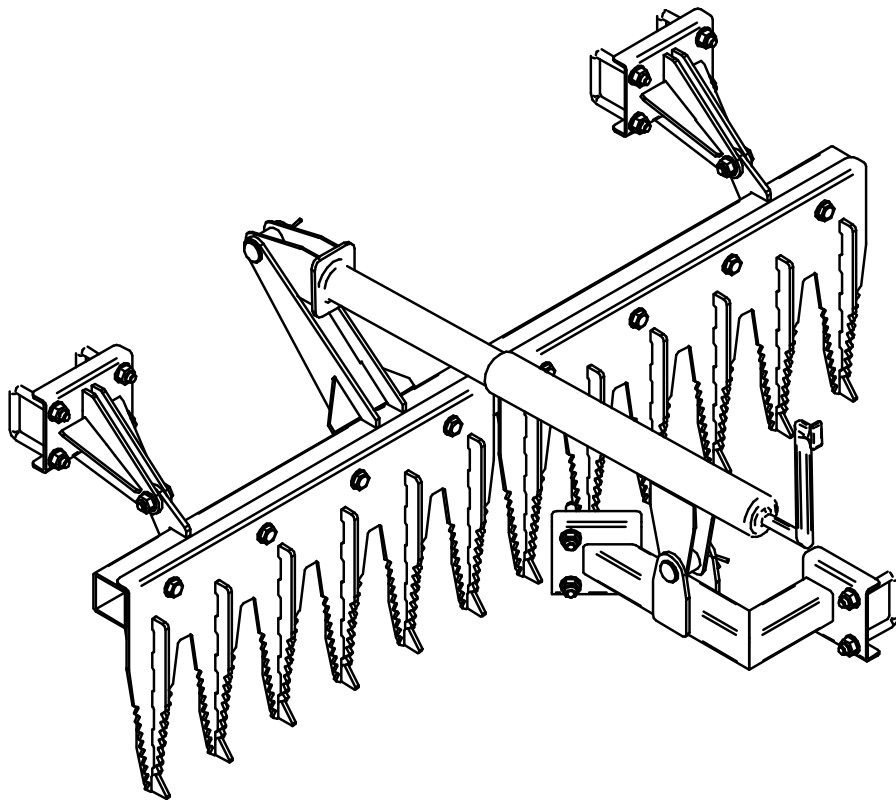
**Keep this manual for future reference!**

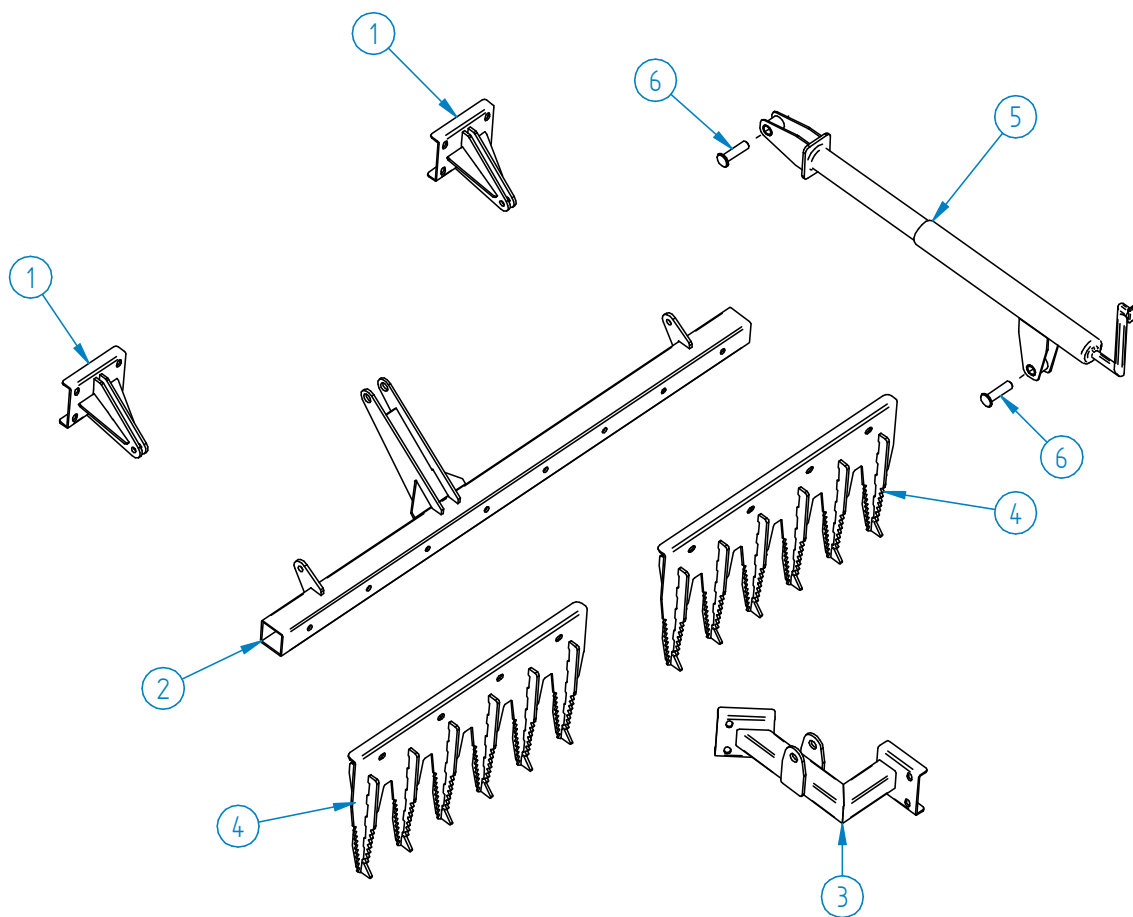
If you need any spare parts, please send this packaging data to your local dealer or to Iron Baltic  
[sales@ironbaltic.com](mailto:sales@ironbaltic.com)



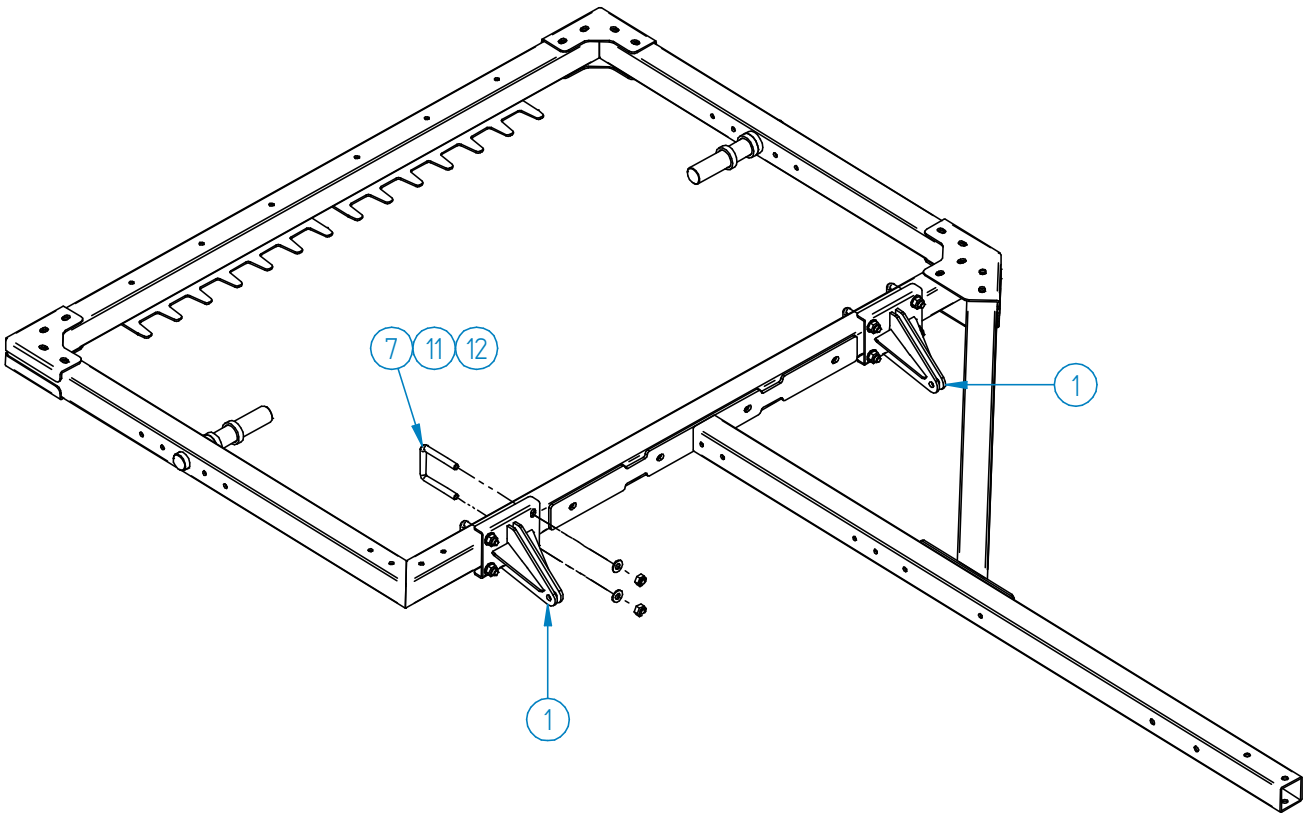
# FITTING INSTRUCTIONS

Pos.	Description	Code	Amount
1	Ice blade holder	47.6201K	2
2	Ice blade tube	47.6202K	1
3	Regulator holder	47.6204K	1
4	Ice blade	47.5301K	2
5	Regulator	14.10400	1
6	Pin	71.3005	2
7	U-Bolt 50 mm	84.2010	6
8	Cotter pin 3 DIN 11024	OT.07.01.020	2
9	Bolt M10x35 DIN933	OT.02.02.329	2
10	Bolt M10x70 DIN933	OT.02.02.350	8
11	Washer Ø10 DIN125	OT.04.01.040	32
12	Nyloc nut M10 DIN985	OT.03.02.050	22



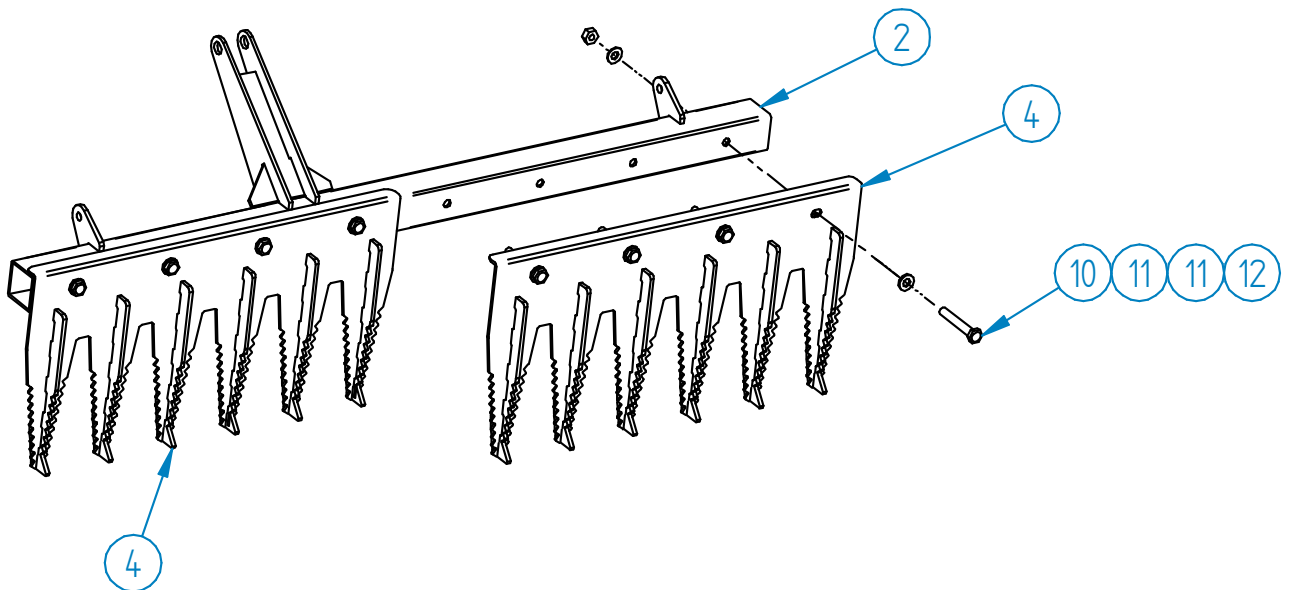


**Step 1:** Install the ice blade holders (Pos.1) on the snow roller frame. For fastening use 50 mm U-bolts (Pos.7), Ø10 mm washers (Pos.11) and M10 nyloc nuts (Pos.12). NB! Do not tighten the bolts!

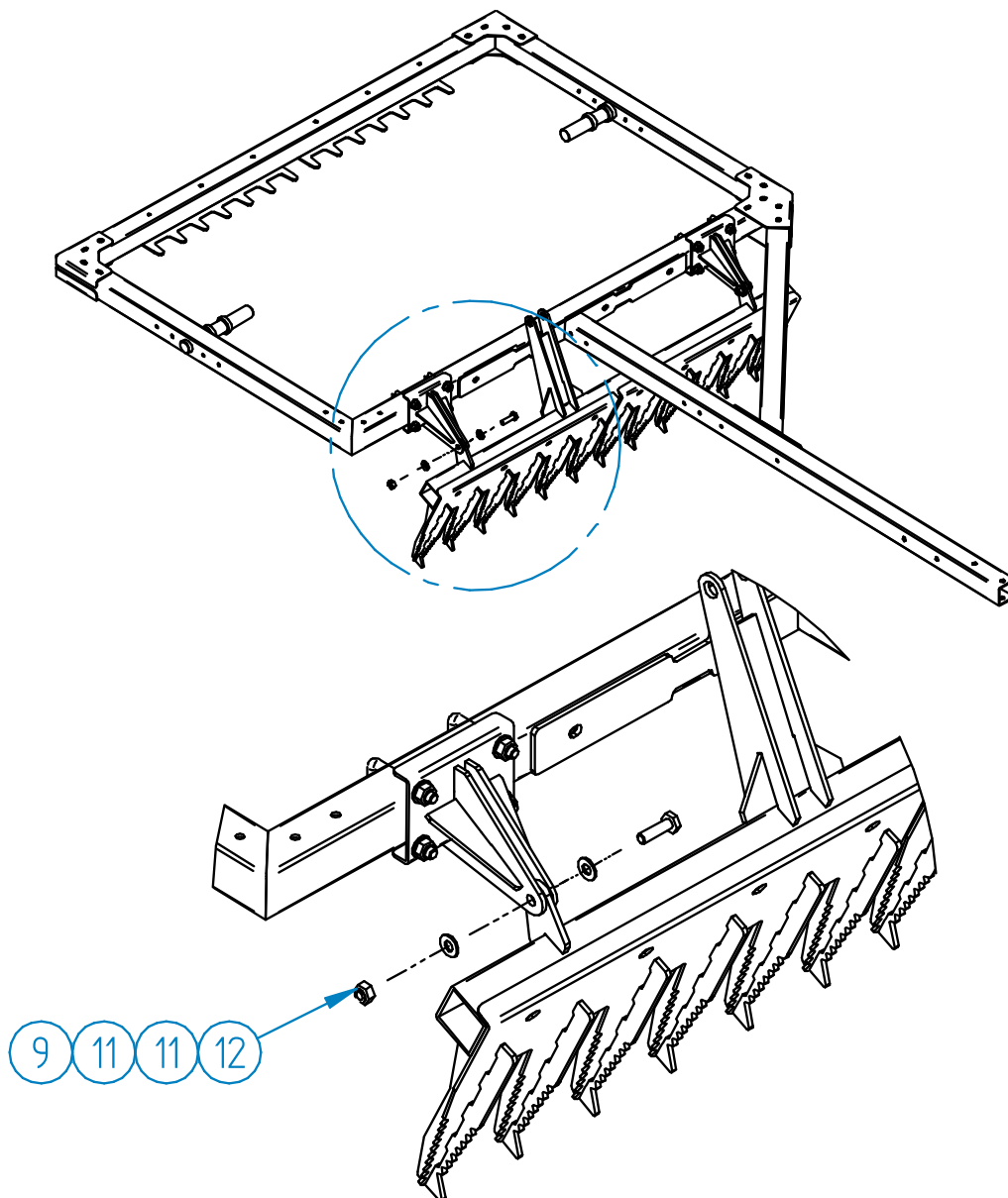


*\* Some details are hidden from the drawing for better visibility*

**Step 2:** Install the ice blades (Pos.4) to the blade tube (Pos.2). For fastening use M10x70 bolts (Pos.10), Ø10 washers (Pos.11) and M10 nyloc nuts (Pos.12).

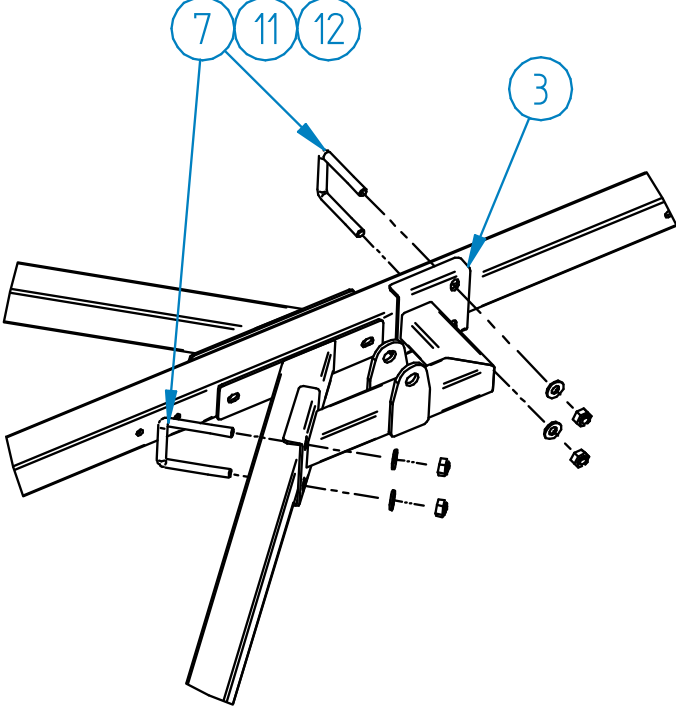
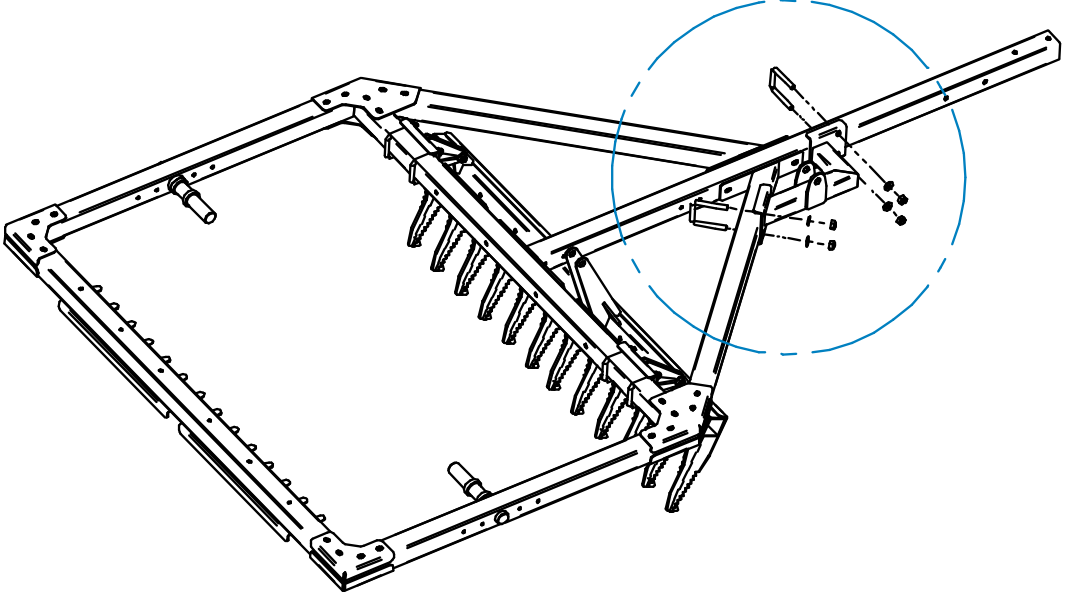


**Step 3:** Install the assembled ice blades to the previously installed holders. For fastening use M10x35 bolts (Pos.13), Ø10 washers (Pos.16) and M10 nyloc nuts (Pos.18).



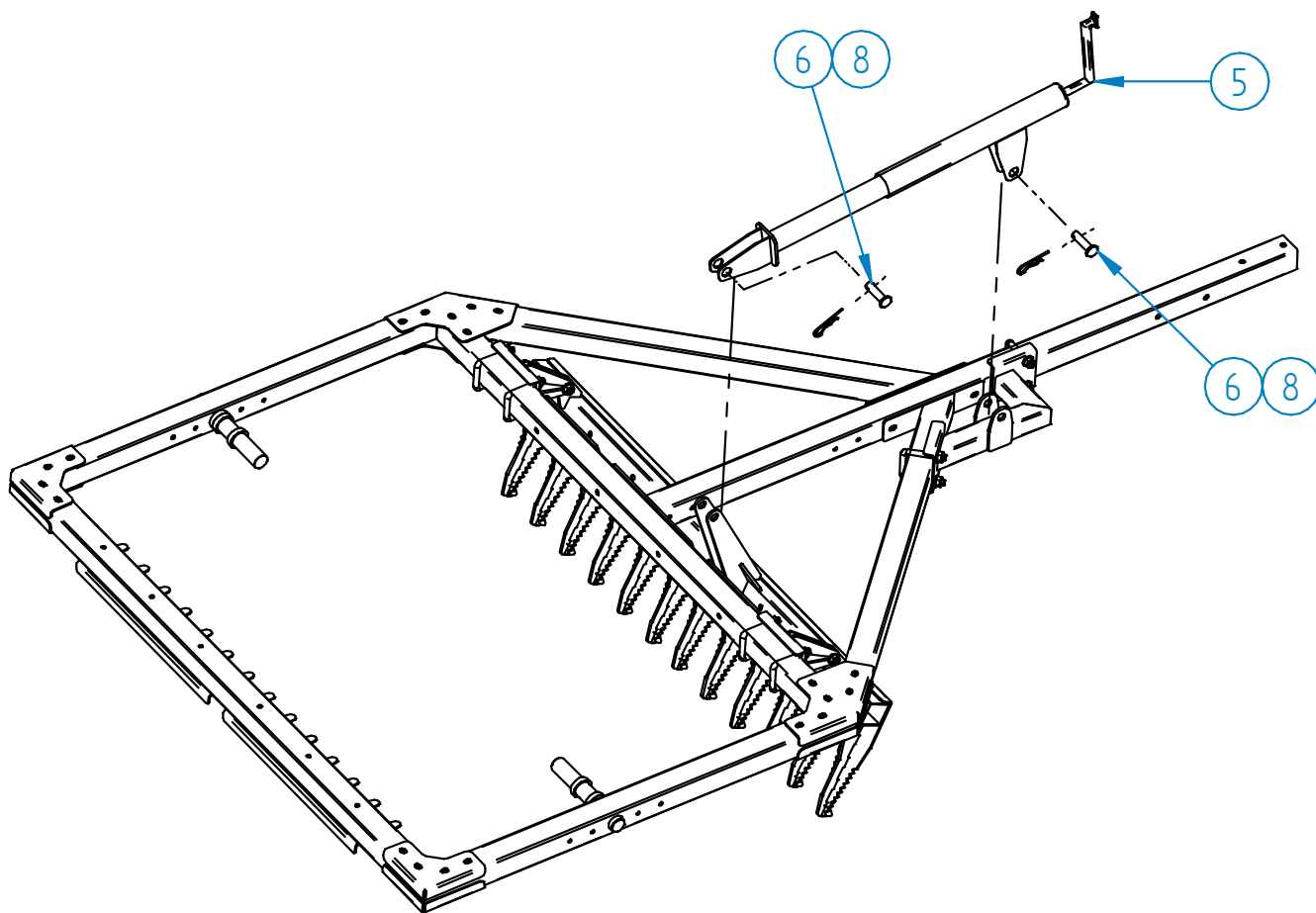
*\* Some details are hidden from the drawing for better visibility*

**Step 4:** Install the regulator holder (Pos.3). For fastening use 50mm U-bolts (Pos.7), Ø10 washers (Pos.11) and M10 nyloc nuts (Pos.12). NB! Do not tighten bolts/nuts!



*\* Some details are hidden from the drawing for better visibility*

**Step 5:** Install the regulator (Pos.5). Use pin (Pos.6) and needle splints (Pos.8) for fastening. NB! Tighten the bolts/nuts provided in the previous step.



*\* Some details are hidden from the drawing for better visibility*







# IRON BALTIC

IRON BALTIC OÜ  
Joa tee 17  
Vääna 76903  
Estonia / Europe

+372 6 533 711  
[sales@ironbaltic.com](mailto:sales@ironbaltic.com)

[www.ironbaltic.com](http://www.ironbaltic.com)  
[www.facebook.com/ironbaltic](https://www.facebook.com/ironbaltic)  
[www.youtube.com/user/ironbalticld](https://www.youtube.com/user/ironbalticld)

