

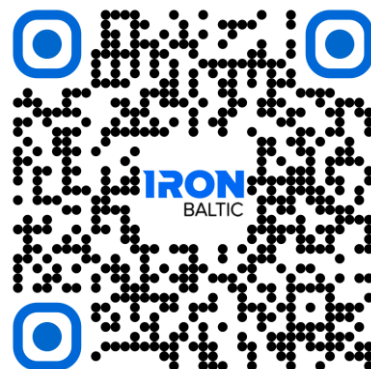
IRON BALTIC

SNOW ROLLER 1450

Code 47.6000

Version 10042024

DOWNLOAD MULTILINGUAL
USER MANUAL



code.ironbaltic.com/u/po5lp13F



Keep this manual for future reference!

If you need any spare parts, please send this packaging data to your local dealer or to Iron Baltic
sales@ironbaltic.com

CONTENTS

- EC DECLARATION OF CONFORMITY4
- INTRODUCTION5
- SAFETY INSTRUCTIONS6
- SAFETY LABELS.....7
- PRODUCT DESCRIPTION8
- USER GUIDE9
- MAINTENANCE9
- FITTING INSTRUCTIONS10

Iron Baltic OÜ

IRON BALTIC

EC DECLARATION OF CONFORMITY

Manufactured by: Iron Baltic OÜ
Address: Põldmäe tee 1, Vatsla 76915
Product: **Snow roller**
Type: **1450**
Model: **47.6000**

Hereby we confirm that this product is in conformity with the requirements of Directive **2006/42/EC**, applicable to the safety and functionality of machinery, regarding the replaceable equipment and it is in compliance with the standard **EN12100** Safety of machinery – General principles for design – Risk assessment and risk reduction.

In witness whereof CE marking is attached to the product.

Place and date of issue of the declaration: Vatsla, 10.04.2024



.....
Tiit Norak
Member of the Board

Iron Baltic OÜ
Põldmäe tee 1
Vatsla 76915
Estonia

tel (+372) 6533711
info@ironbaltic.ee
www.ironbaltic.com

INTRODUCTION

Thank you for choosing Iron Baltic product. This manual contains the technical details of the SNOW ROLLER and instructions how to assemble, operate and maintain the product safely. Unnecessary use of the product can result economic damage and personal injury, so it is very important that the person who using the product read and use this manual in accordance with the requirements. Any misuse of the product will release the manufacturer from liability for any damage or expense incurred.

NOTE: Photos and drawings in this manual may not necessarily depict the actual models of products or their accessories. They are merely given as a frame of reference and are based on the latest available information at the time of publication.



This symbol is used throughout the manual and on warning signs in order to warn users of the potential for serious injury. Before using the vehicle and snow roller, carefully read the safety instructions and make sure that you have understood them. Follow all instructions and ensure that everyone who uses the equipment follows them!

Keep this manual for future reference.

Based on the specifications for your model, please check that you have received all of the parts for your particular set

SAFETY INSTRUCTIONS

Most accidents occur due to negligence or carelessness. Avoid unnecessary accidents and follow the safety instructions given below.

TRAINING

1. Read thoroughly the safety instructions and terms of use.
2. Never allow children to operate the vehicle or snow roller. Never allow adult persons to operate the vehicle or the product if they have not received the proper training
3. Neither the vehicle nor the snow roller can be used while drunk or under the influence of drugs that affect perception or reaction.
4. Do not allow bystanders, children or animals into the work zone.



PROHIBITED ACTIONS

- Never operate the snow roller on steep slopes.
- Never operate the snow roller without all the protective parts properly installed.
- Do not operate the snow roller before you have carefully read the whole operation manual.
- Never drive faster than 10 km/h, or what the vehicle manufacturer recommends (the lower speed must be observed).
- Never carry any passenger on the snow roller.

MANDATORY ACTIONS

- Follow all the instructions of the ATV manufacturer.
- Always use proper protective equipment (helmet etc.) when using the vehicle.
- Make sure that bystanders are moved to a safe distance when operating the device.
- Make sure that all of the safety stickers are in good condition. Replace damaged stickers as required.
- Reduce the speed of the ATV when working on a hillside or uneven terrain.
- Be careful when braking.
- The safe road-steadiness of the vehicle must always be ensured by using the correct accessories for the task in hand (chains, counterbalances, etc).
- Always check that all components are properly installed.
- Always remain clear of moving parts and joints.
- Check and tighten the bolts after the first working hour and then after every ten working hours.



IF SOMETHING HAPPENS DURING THE WORK THAT COULD DAMAGE THE PRODUCT, AN INSPECTION OF THE DEVICE MUST BE CARRIED OUT TO IDENTIFY POSSIBLE DAMAGE. DAMAGE (CRACKS IN CONSTRUCTION OR WELDS, DEFORMED PARTS) CAN ENDANGER PROPERTY AND HUMAN HEALTH. THE DEVICE MUST NOT BE USED BEFORE THE DAMAGE IS REMOVED.







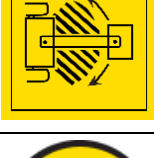



MAKE SURE THAT THE SNOW ROLLER IS IN PERFECT WORKING CONDITION AND THAT THE TOWING COUPLING HEAD IS PROPERLY ATTACHED TO THE ATV HITCH BALL.

SAFETY LABELS

The safety labels shall be present on your snow roller. If any of those labels is absent or gets damaged, contact your dealer in order to install new labels in place of the absent ones before operating the machine.

Ohutuskleebiste tähendused

	Read the manual before use!
	Maximum permitted speed 10 km / h!
	It is forbidden to drive slopes over 10°!
	Make sure that all bystanders are at a safe distance while working with the ski track maker! Risk of collision!
	Avoid getting your hands and feet between moving parts! Especially when adjusting the ice blade and moving the transport position lever.
	Make sure that all bystanders are at a safe distance while working with the ski track maker! Risk of flying objects! Especially when using an ice blade!
	Risk of collision! To ensure safety, consider the dimensions of the snow roller, the area of work zone and the speed of movement
	It is forbidden to carry people on the snow roller

PRODUCT DESCRIPTION

Iron Baltic snow roller is a simple, light but strong and functional device for preparing and maintaining ski tracks.

Large and heavy snow groomers and other ski track making equipments generally requires a lot of snow and low temperatures to avoid damaging the ground. The Iron Baltic snow roller is an ideal solution in places where there is not much snow or the ground is not frozen enough for the use of heavy vehicles. Snow roller light weight means it can be attached to any ATV (preferably with tracks), UTV (preferably with tracks), snowmobile or small tractor.

The snow roller is designed for compacting snow and building ski tracks. In addition, it is possible to install classic track cutter (47.5200) and a special ice blade (47.6200) with which it is possible to break the frozen surface and the previously made ski track, making the maintenance of the ski track easy in any situation.

Standard equipment:

- Snow roller
- Finisher

Optional extras:

- Classic track setter
- Ice blade

Product	Snow roller 1450
Model	47.6000
Dimensions	3090 x 1470 x 790 mm
Working width	1450 mm
Weight	200 kg

Table 1: Snow roller technical data

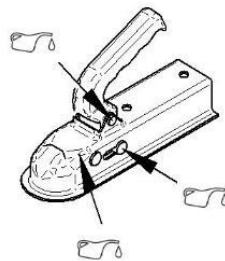
USER GUIDE

- Read the safety instructions before driving!
- Adjust the tow coupling height to suit your machine. The correct position of the tow coupling is when the drawbar of the snow roller is parallel to the ground.
- Check tow coupling connection to the tow beam before ride.
- Before ride, check is the towing coupling securly connected with tow ball (check the indicator on tow coupling)
- To start work, release the finisher lock and lower the finisher to the ground.

MAINTENANCE

Maintenance activity:	Before and after work	Weekly	Monthly	Seasonally
Clean the snow roller	•	•	•	•
Tow coupling connection check	•	•	•	•
Visual inspection of parts fastening	•	•	•	•
Checking the condition of all connecting parts		•	•	•
Inspection of safety labels		•	•	•
Lubricate the tow coupling			•	•
Checking the wear rate of metal parts			•	•

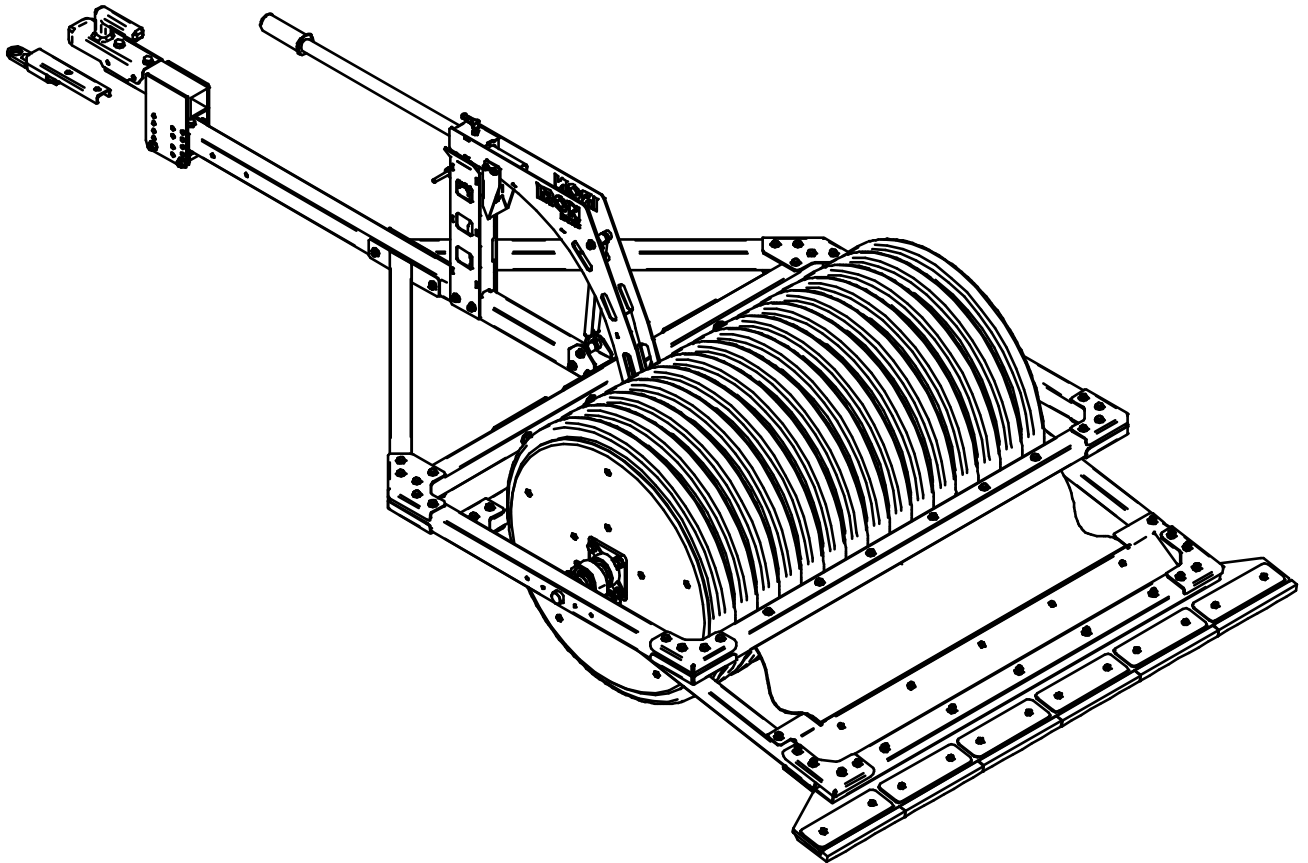
- If the tow coupling moves difficultly, add oil to places showde on the diagramm or contact manufacturer or licenced reseller.

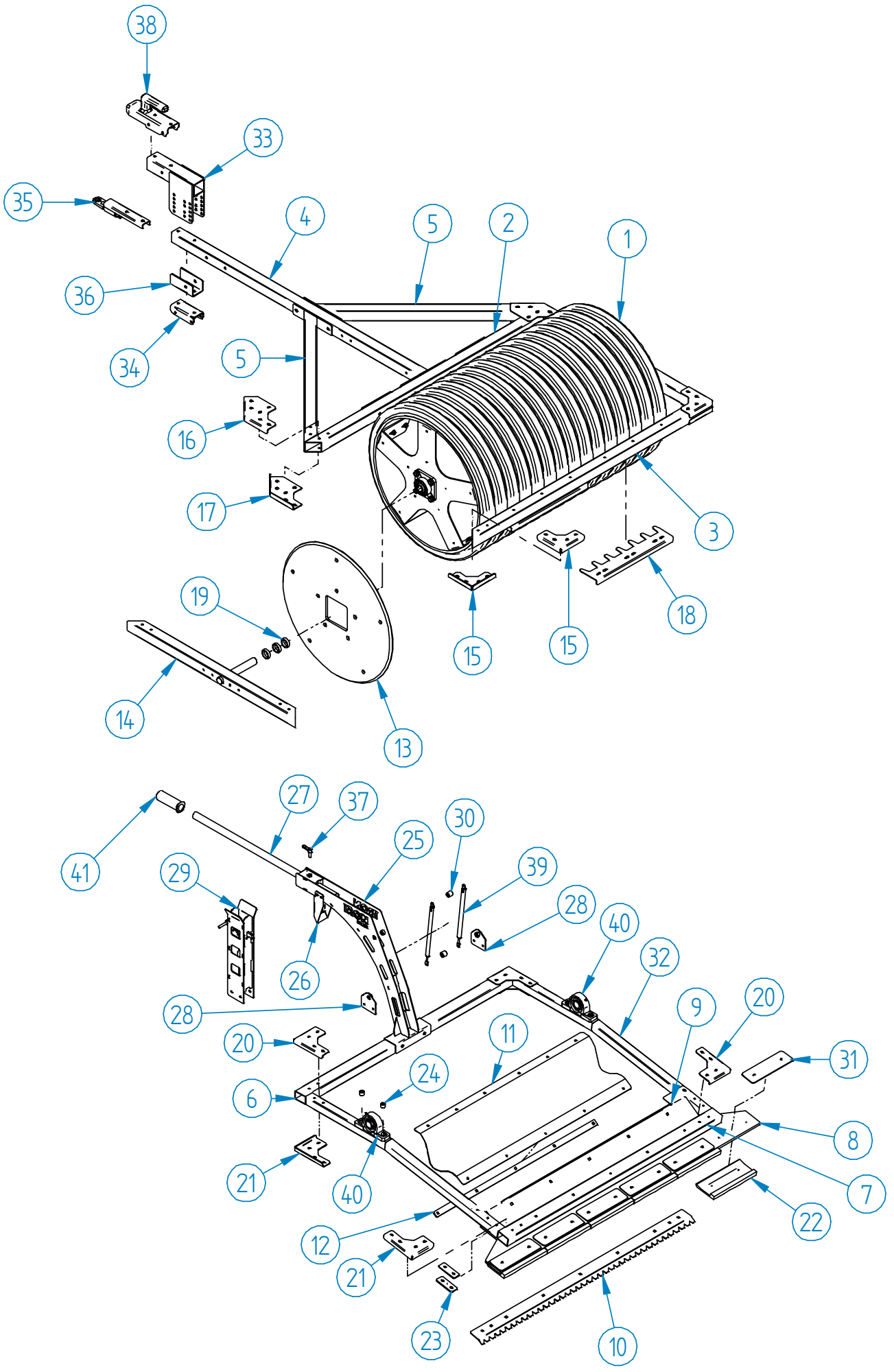


FITTING INSTRUCTIONS

Pos.	Description	Code	Amount
1	Roller	47.6001K	1
2	Roller main frame front tube	47.6002	1
3	Roller main frame rear tube	47.6003	1
4	Drawbar	47.6004K	1
5	Drawbar diagonal	47.6005K	2
6	Finisher frame front tube	47.6101	1
7	Finisher frame rear tube	47.6102	1
8	Finisher plastic profiles rubber	47.6105	1
9	Finisher deflector	47.6110	1
10	Finisher pre profile maker	47.6111	1
11	Finisher rubber deflector	47.6114	1
12	Finisher rubber deflector mounting plate	47.6115	1
13	Roller plastic end plate	47.5004	2
14	Roller main frame side tube	47.5005K	2
15	Roller main frame mounting angle 1	47.5016	4
16	Roller main frame mounting angle 2	47.5017	2
17	Roller main frame mounting angle 3	47.5018	2
18	Roller profile cleaner	47.5021	2
19	Roller distance washer	47.5025	6
20	Finisher frame mounting angle 1	47.5104	3
21	Finisher frame mounting angle 2	47.5105	3
22	Finisher plastic profile	47.5108	6
23	Finisher deflector distance plate	47.5111	4
24	Finisher bearing bushing	47.5116	4
25	Finisher lever	47.5120K	1
26	Lever lock slot	47.5125	1
27	Lever extension	47.5126	1
28	Gas spring lower mount	47.5128K	2
29	Lever lock	47.5130K	1
30	Gas spring distance bush	47.5135	2
31	Finisher plastic profile top plate	47.5142	6
32	Finisher frame side tube	47.5151K	2
33	Tow coupling height adjuster	14.11801K	1
34	Tow coupling height adjuster mounting bracket 1	14.11803	1
35	Tow coupling (attached with pin)	22.050	1
36	Tow coupling height adjuster mounting bracket 2	31.101	1
37	Fixing handle M8x25	OT.02.06.070	1
38	Tow coupling (attached to the tow ball)	OT.10.02.030	1
39	Gas spring 500X500N	OT.35.00.040	2
40	Bearing UCP D30	OT.41.00.031	2
41	Handle	OT.54.01.010	1
42	Carriage bolt M6x16 DIN603	OT.02.05.010	4
43	Carriage bolt M8x20 DIN603	OT.02.05.050	5

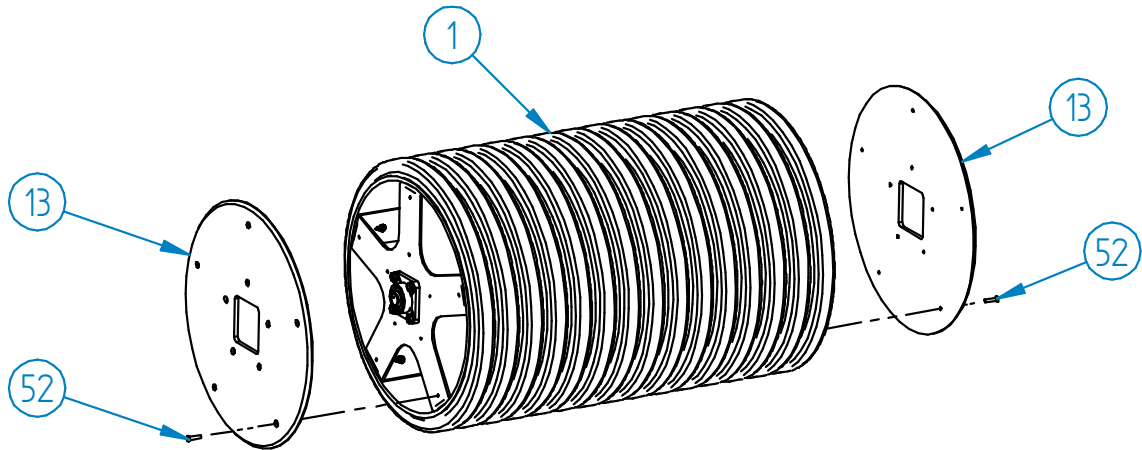
44	Carriage bolt M8x70 DIN603	OT.02.05.082	13
45	Bolt M6x30 DIN933	OT.02.02.080	12
46	Bolt M8x55 DIN933	OT.02.02.241	2
47	Bolt M8x60 DIN933	OT.02.02.250	8
48	Bolt M8x70 DIN933	OT.02.02.260	34
49	Bolt M10x70 DIN933	OT.02.02.350	4
50	Bolt M10x80 DIN931	OT.02.01.048	4
51	Bolt M10x85 DIN931	OT.02.01.049	8
52	Bolt M8x35 DIN7991	OT.02.04.180	20
53	Washer Ø6/15 SFS3738	OT.04.03.020	28
54	Washer Ø8/20 SFS3738	OT.04.03.030	106
55	Washer M10 DIN125	OT.04.01.040	12
56	Washer M10 DIN9021	OT.04.02.050	20
57	Nyloc nut M6 DIN985	OT.03.02.030	16
58	Nyloc nut M8 DIN985	OT.03.02.040	62
59	Nyloc nut M10 DIN985	OT.03.02.050	16



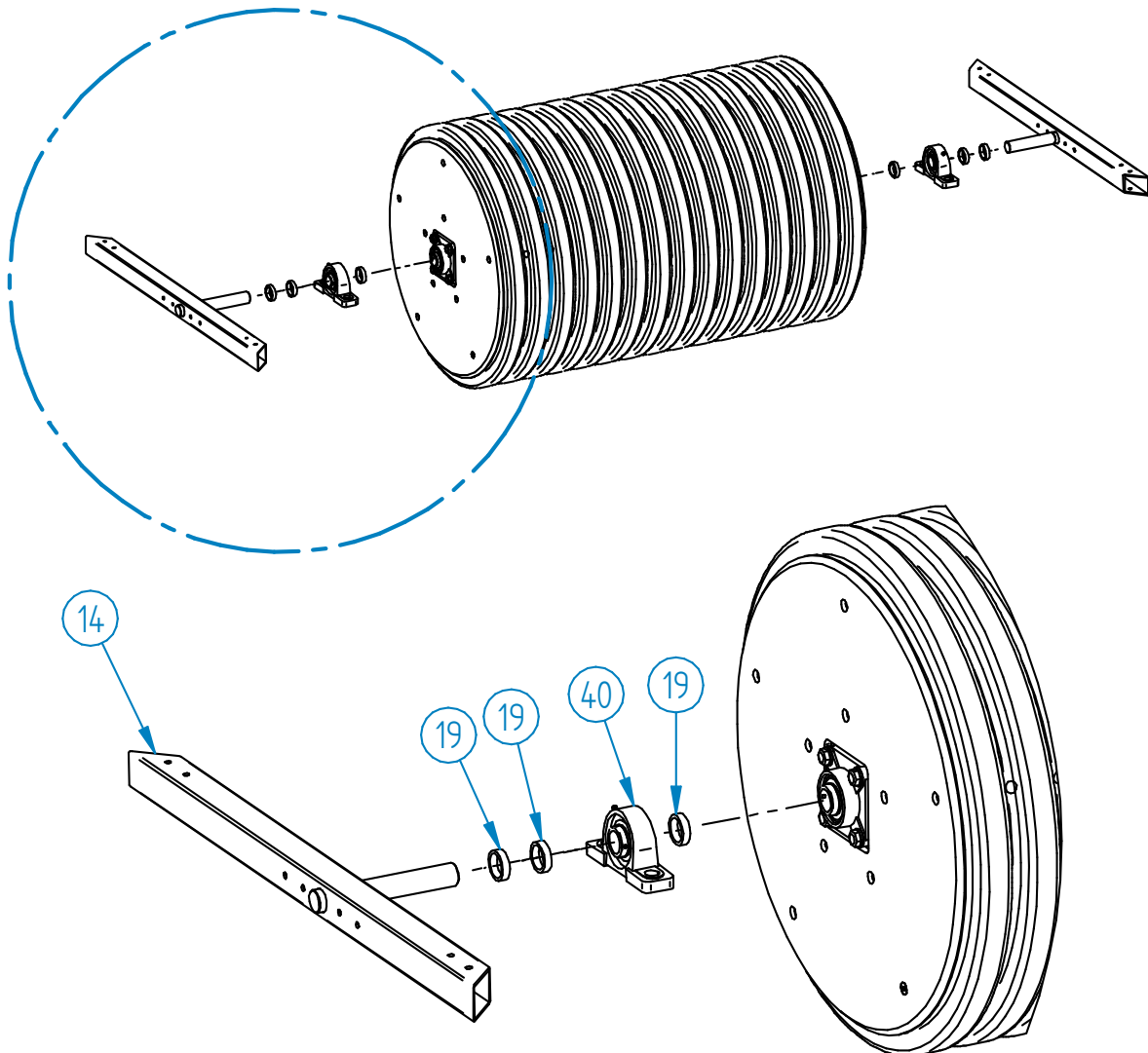


47.6000 Snow roller 1450

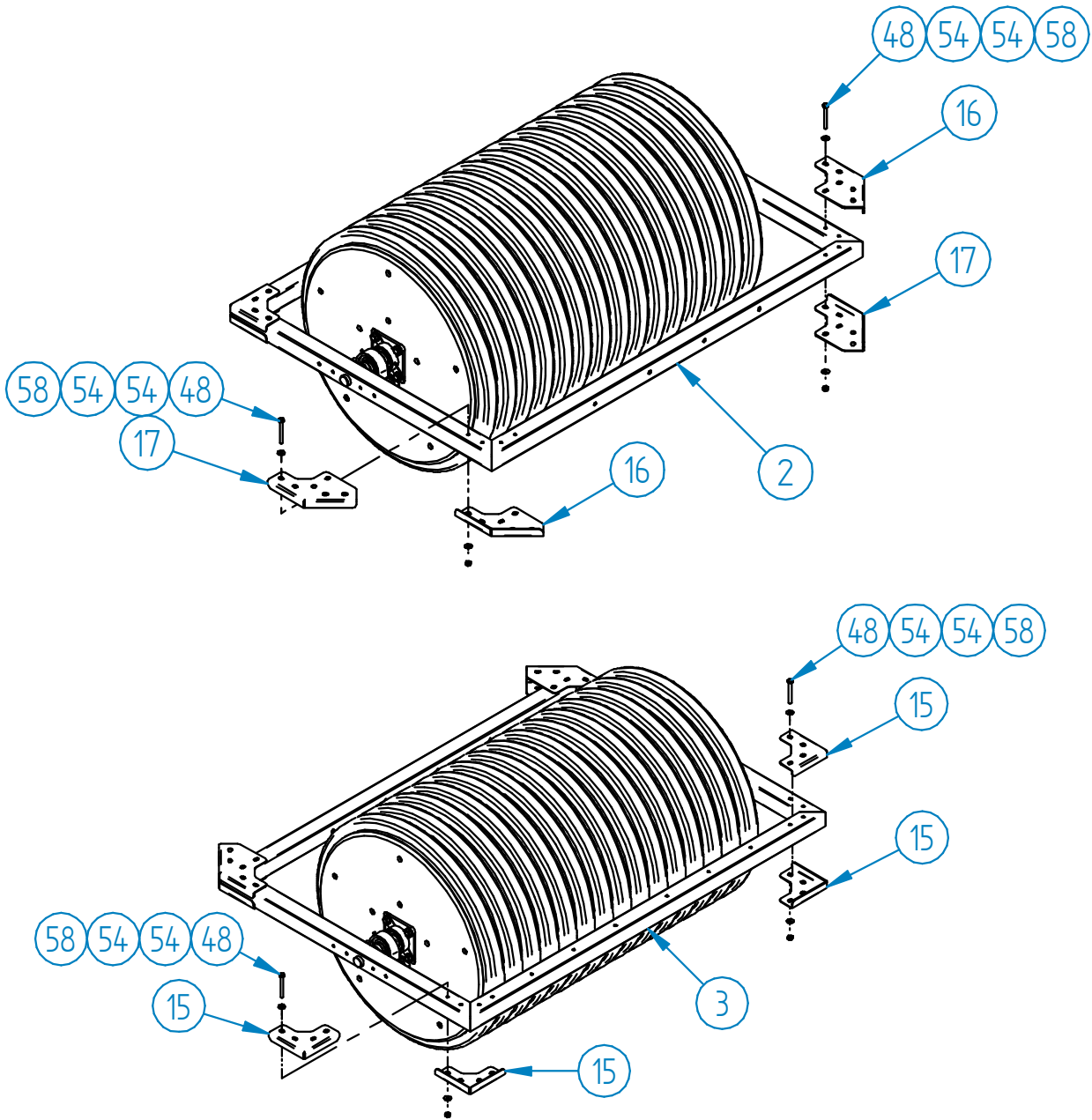
Step 1: Install the plastic end plates (Pos.13) on the roller (Pos.1). For fastening use M8x35 bolts (Pos.52).



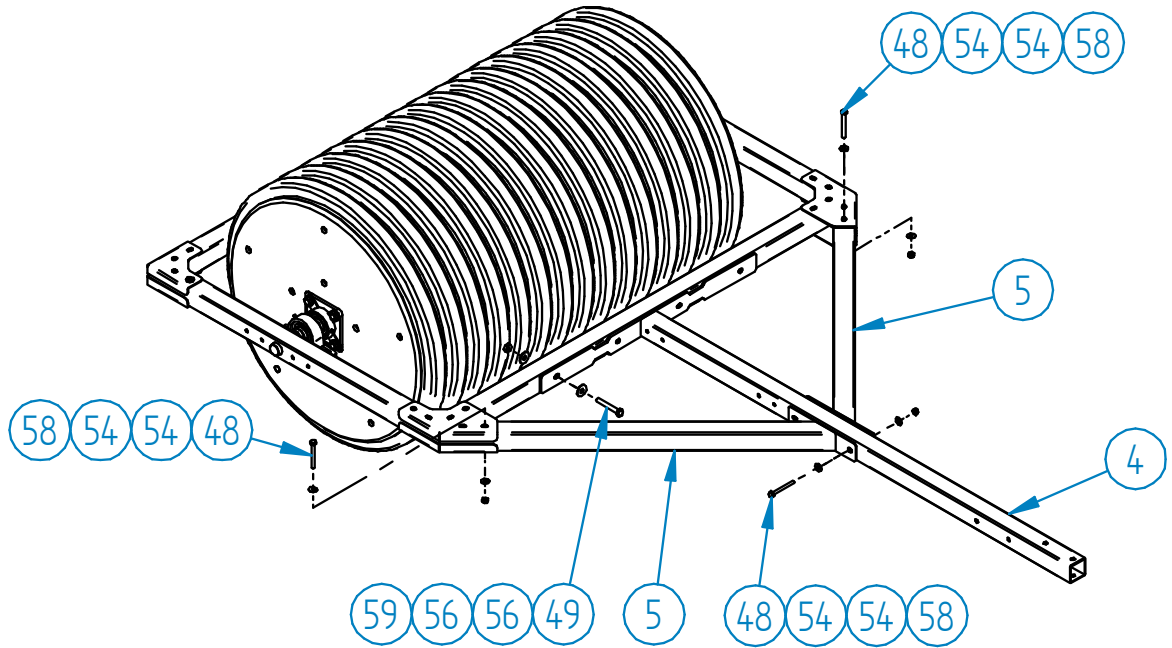
Step 2: Install the frame side tubes (Pos.14) together with the finisher bearings (Pos.40). Add two plastic distance washers between the tube and the bearing, and add one distance washer between the bearing and the roller (Pos.19).



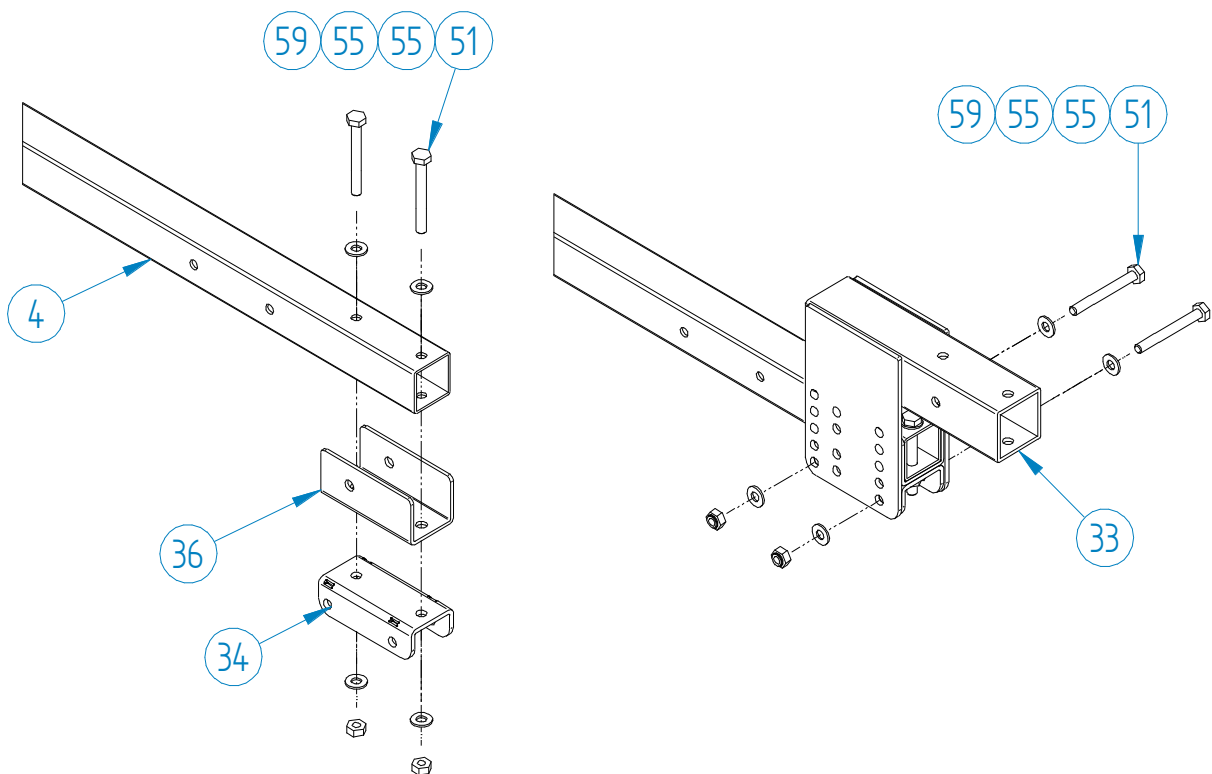
Step 3: Install the front frame tube (Pos.2) and the rear frame tube (Pos.3). For fastening, use mounting angles (Pos.15; Pos.16 and Pos.17) and M8x70 bolts (Pos.48), Ø8 mm washers (Pos.54) and M8 nyloc nuts (Pos.58). NB! Do not tighten the bolts!



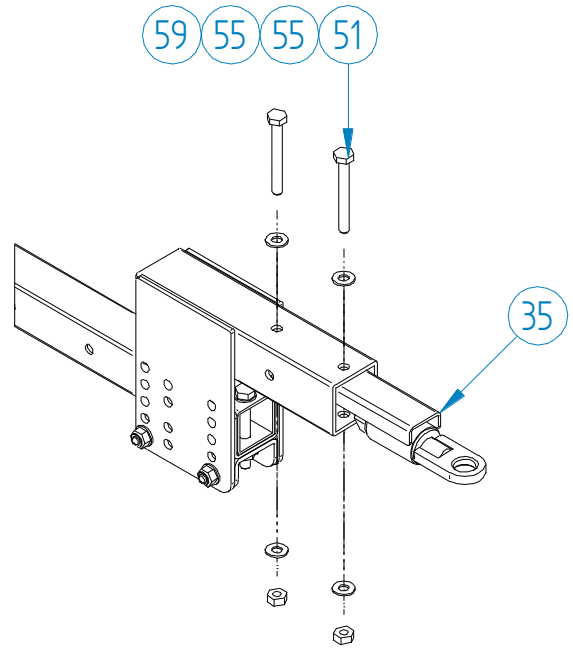
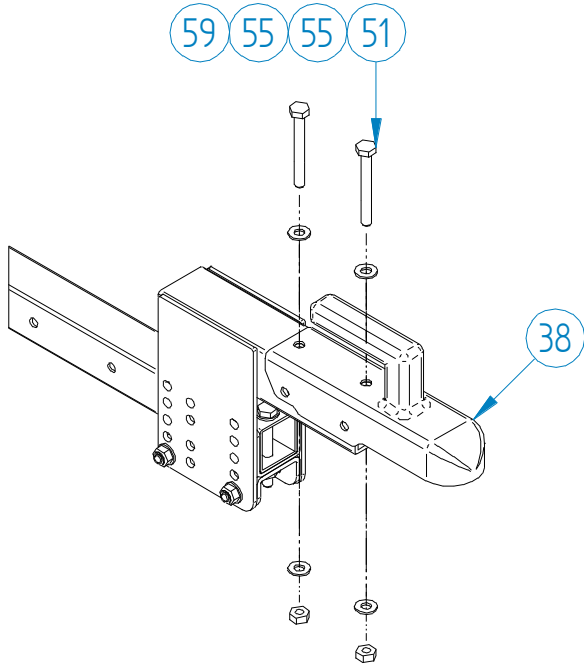
Step 4: Install drawbar (Pos.4) and drawbar diagonals (Pos.5). For fastening use M8x70 bolts (Pos.48), Ø8 mm washers (Pos.54), M8 nyloc nuts (Pos.58) and M10x70 bolts (Pos.49), Ø10 mm washers (Pos.56) and M10 nyloc nuts (Pos.59). NB! Tighten all the bolts/nuts described in the previous points!



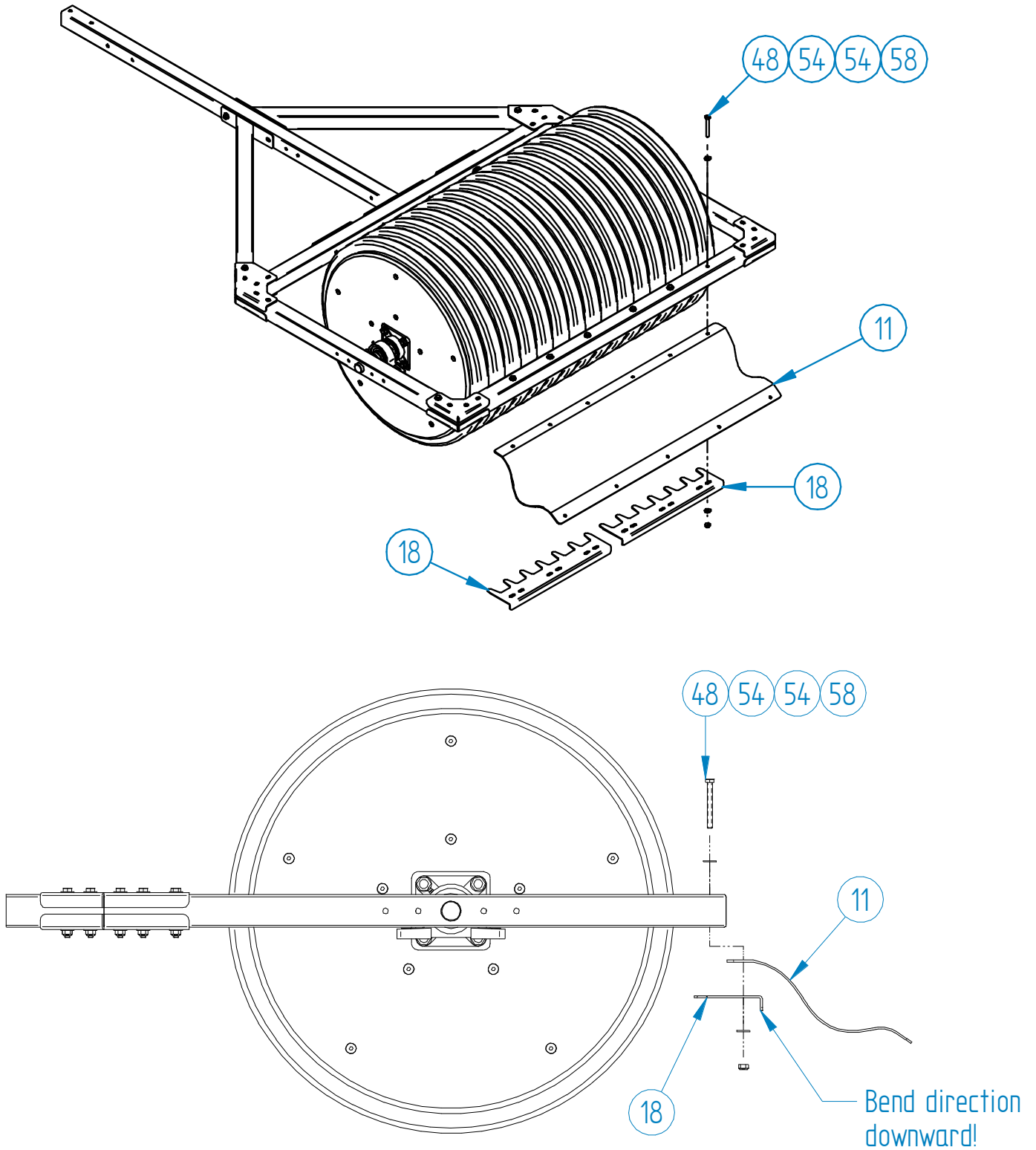
Step 5: Install the height-adjusting drawbar adapter (Pos.33) with the adapter mounting plates (Pos.34 and Pos.36) to the drawbar (Pos.4). Install the adapter in such a way that when the vehicle is attached, the drawbar of the roller is parallel to the ground. For fastening, use M10x85 bolts (Pos.51), Ø10 mm washers (Pos.55) and M10 nyloc nuts (Pos.59).



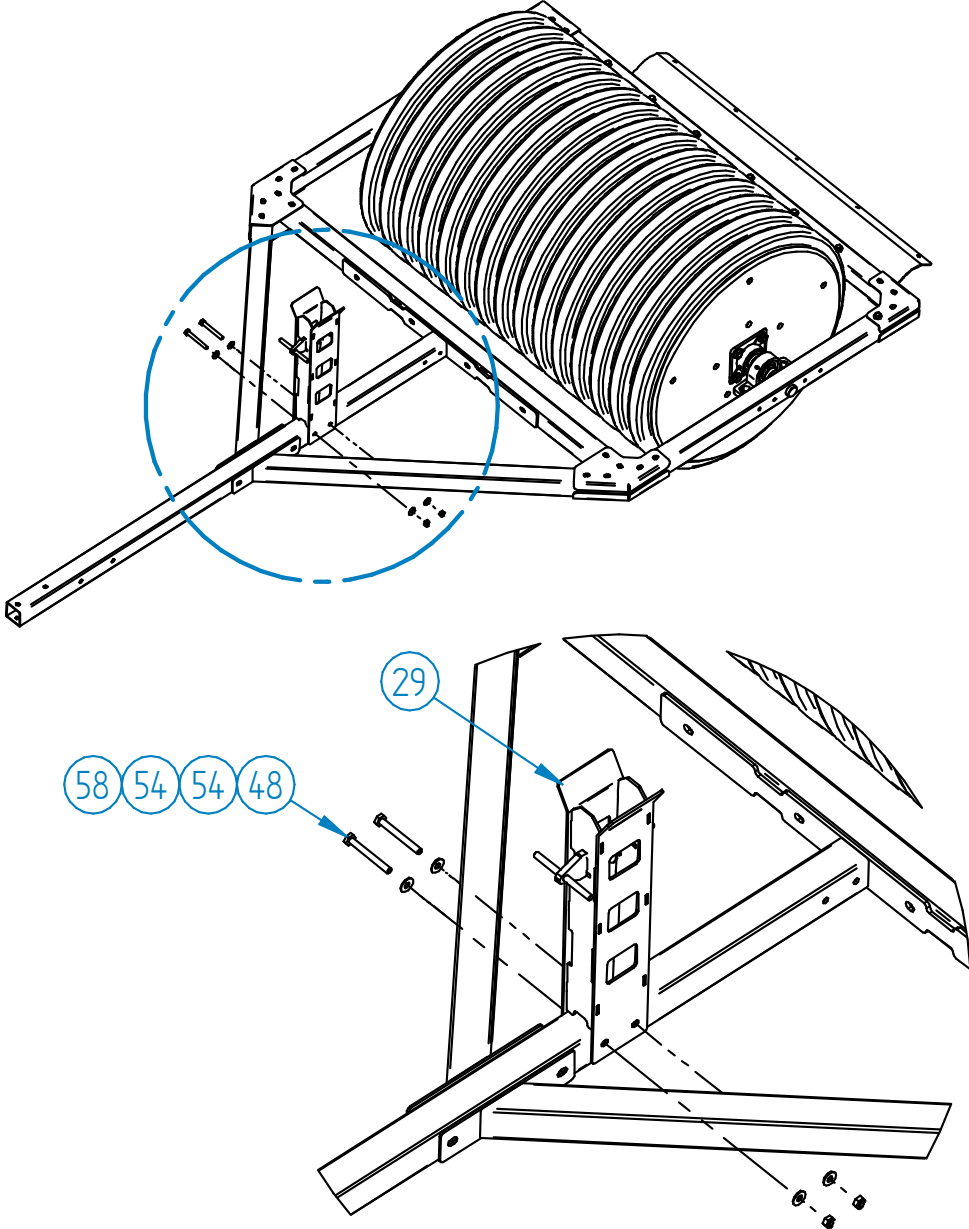
Step 6: Install the tow coupling. Depending on the type of vehicle use either the one which is attached to the towing ball (pos. 38) or one that is attached with a pin (pos. 35). For fastening, use M10x85 bolts (pos.51), Ø10 mm washers (pos.55) and M10 nail nuts (pos.59).



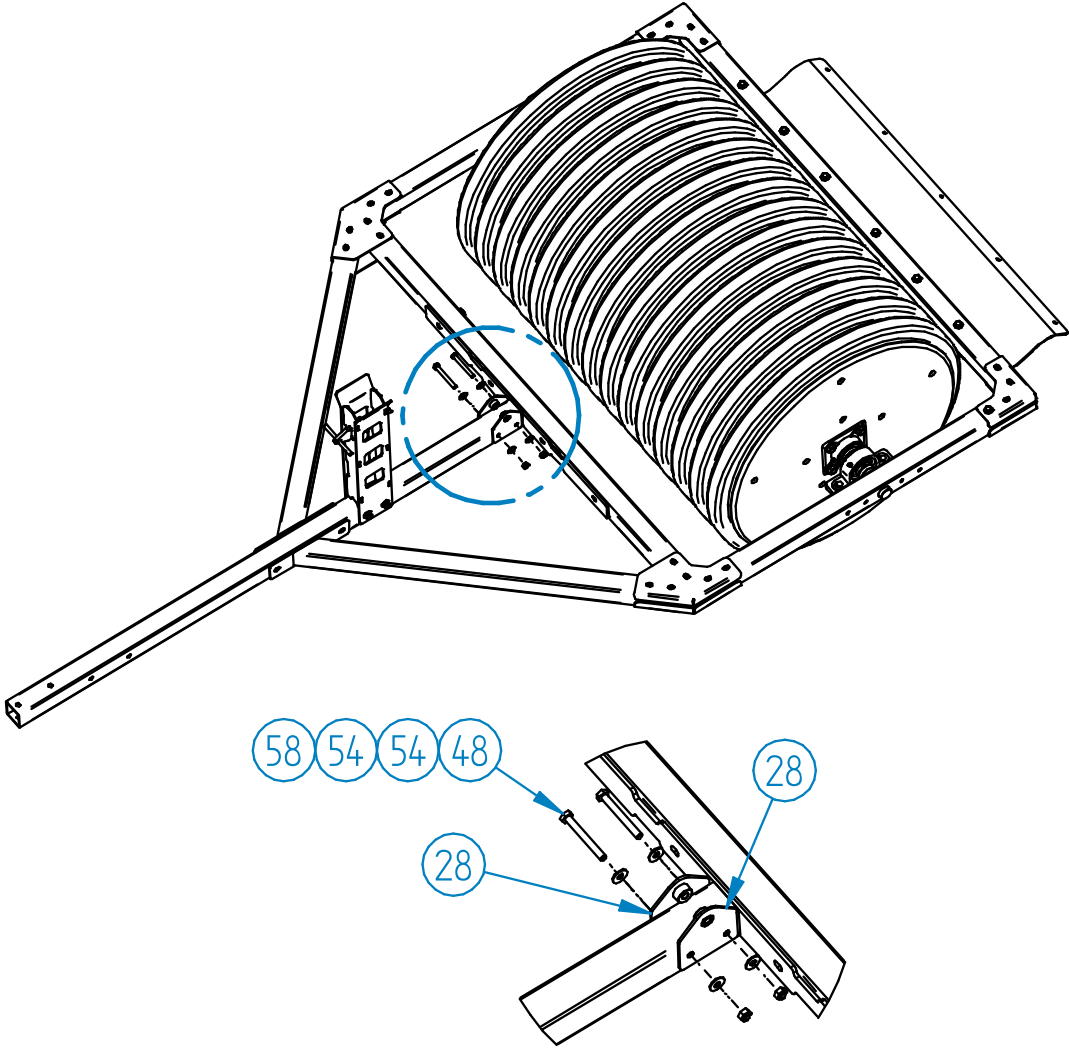
Step 7: Install the roller profile cleaners (Pos.18). Between frame rear tube and cleaners install rubber deflector (Pos.11). For fastening, use M8x70 bolts (Pos.48), Ø8 mm washers (Pos.54) and M8 nyloc nuts (Pos.58).



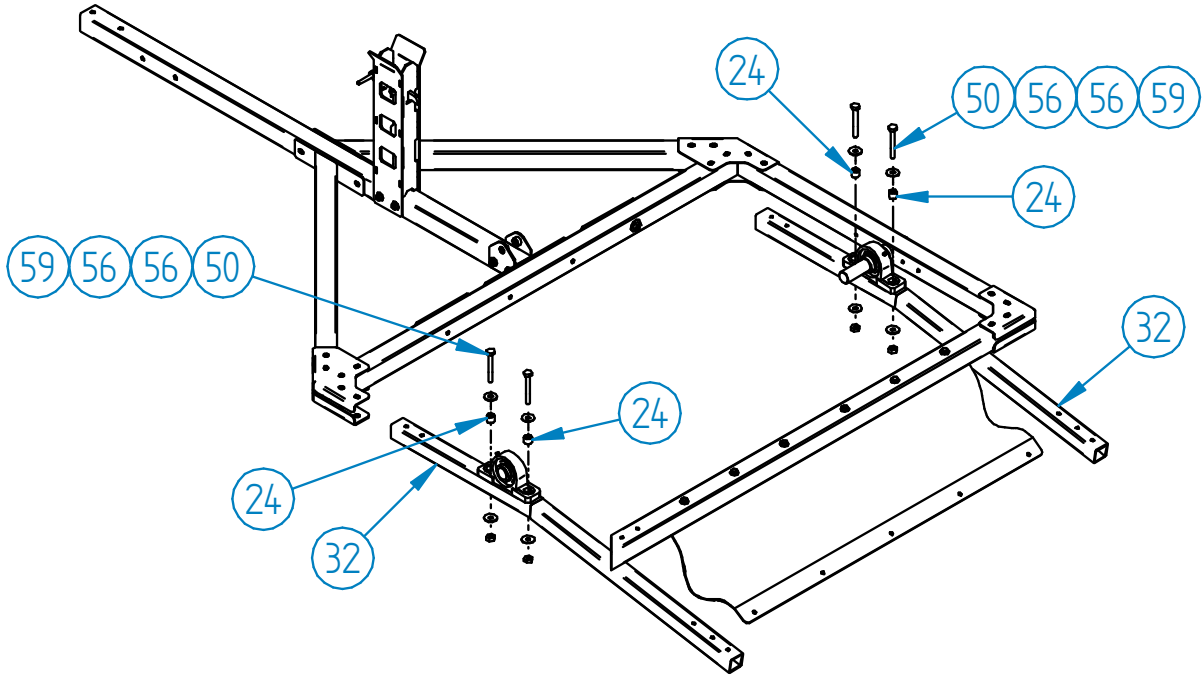
Step 8: Install the lever lock (Pos.29). For fastening, use M8x70 bolts (Pos.48), Ø8mm washers (Pos.54) and M8 nyloc nuts (Pos.58).



Step 9: Install the gas spring lower mounts (Pos.28). For fastening, use M8x70 bolts (Pos.48), Ø8mm washers (Pos.54) and M8 nyloc nuts (Pos.58). NB! Make sure that the bushings on the plates are facing inwards!

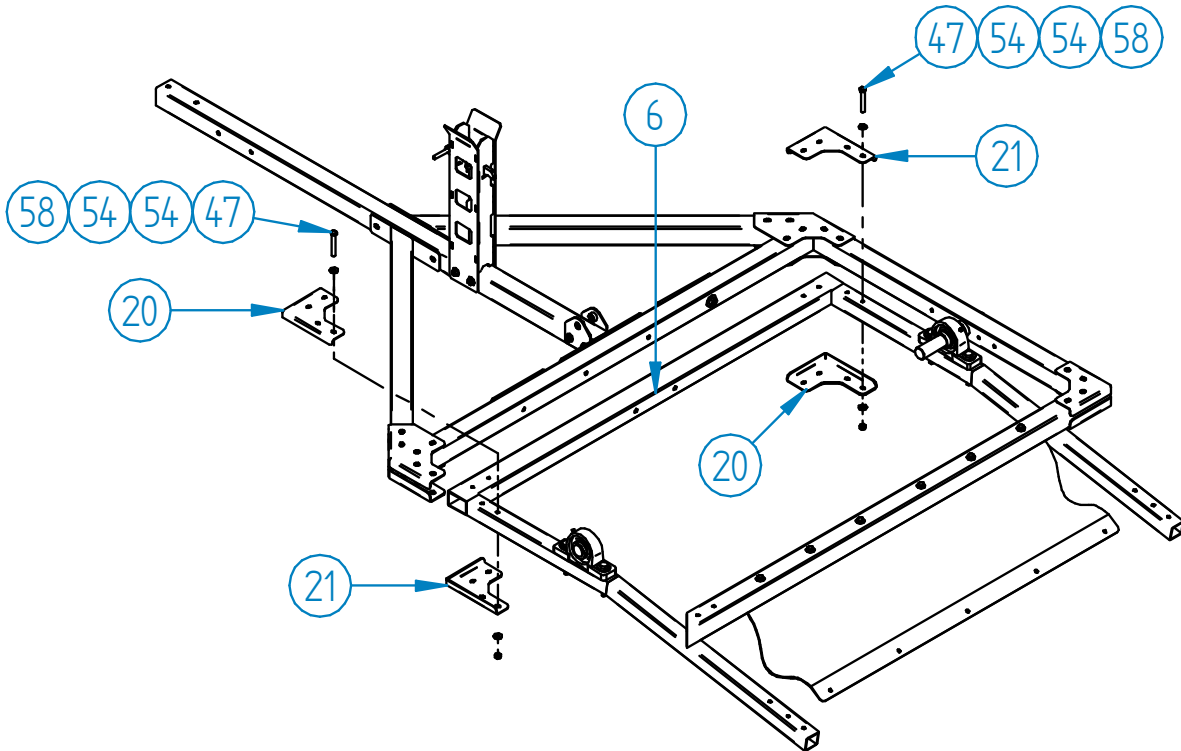


Step 10: Install the finisher side tubes (Pos.32) and bearing bushings (Pos.24). For fastening, use M10x80 bolts (Pos.50), Ø10 mm washers (Pos.56) and M10 nyloc nuts (Pos.59).



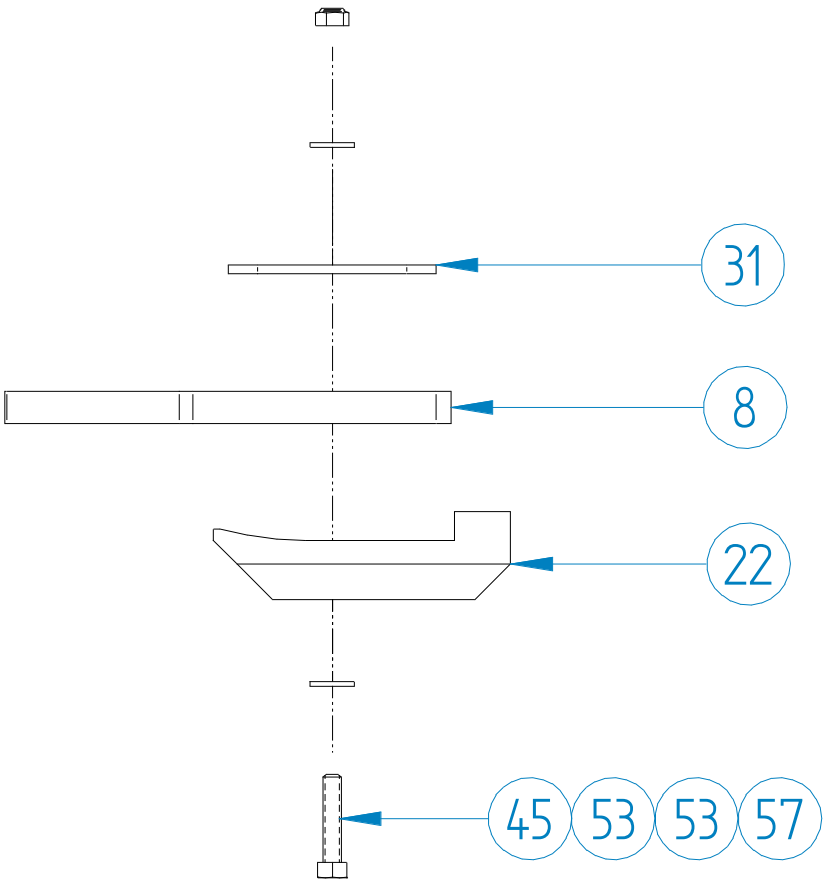
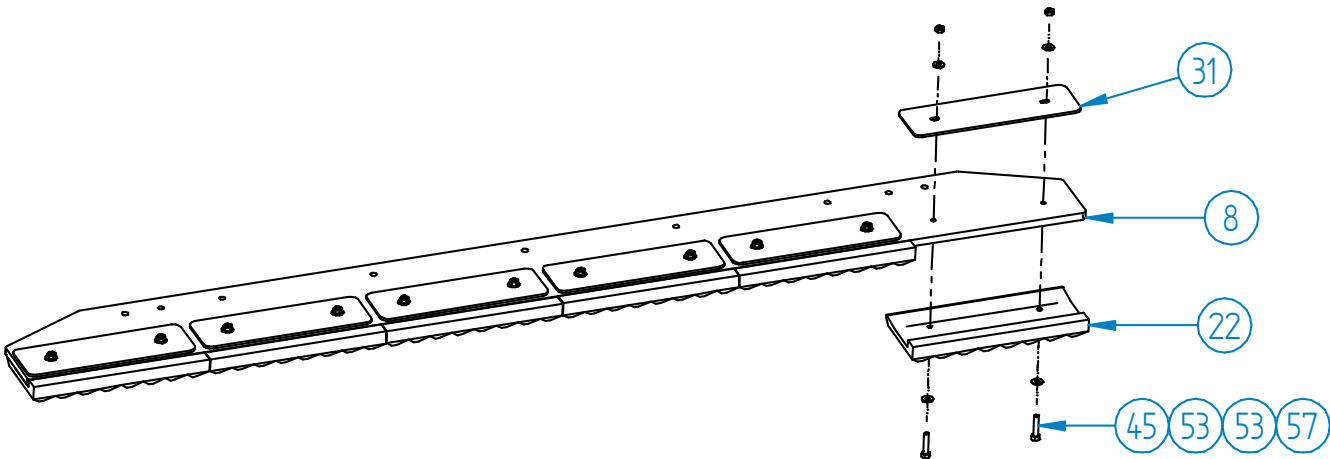
** Some details have been removed from the figure for better visibility*

Step 11: Install the finisher front tube (Pos. 6). For fastening, use mounting angles (Pos.20 and Pos.21) and M8x60 bolts (Pos.47), Ø8 mm washers (Pos.54) and M8 nyloc nuts (Pos.58). NB! Do not tighten the bolts!

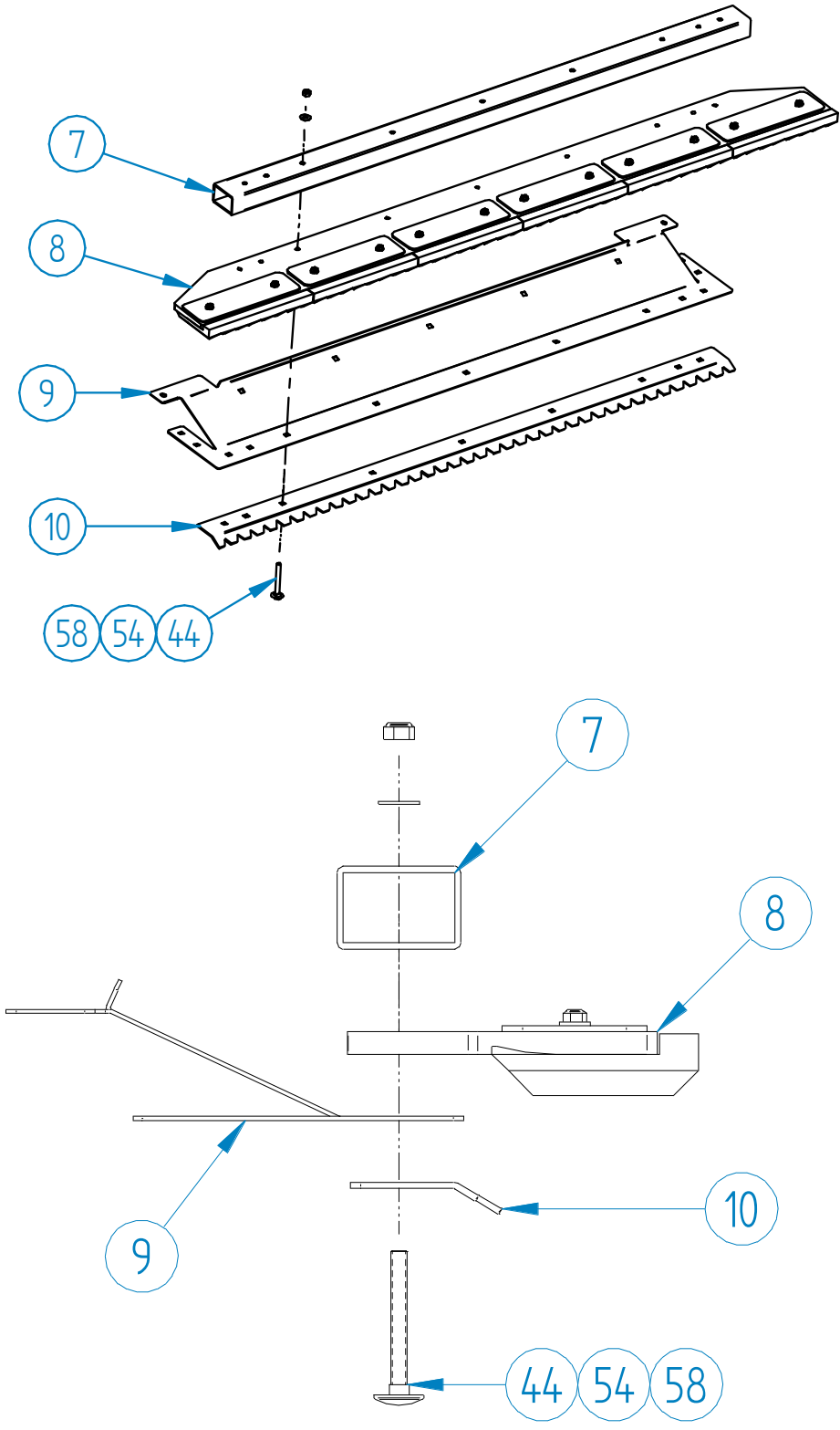


** Some details have been removed from the figure for better visibility*

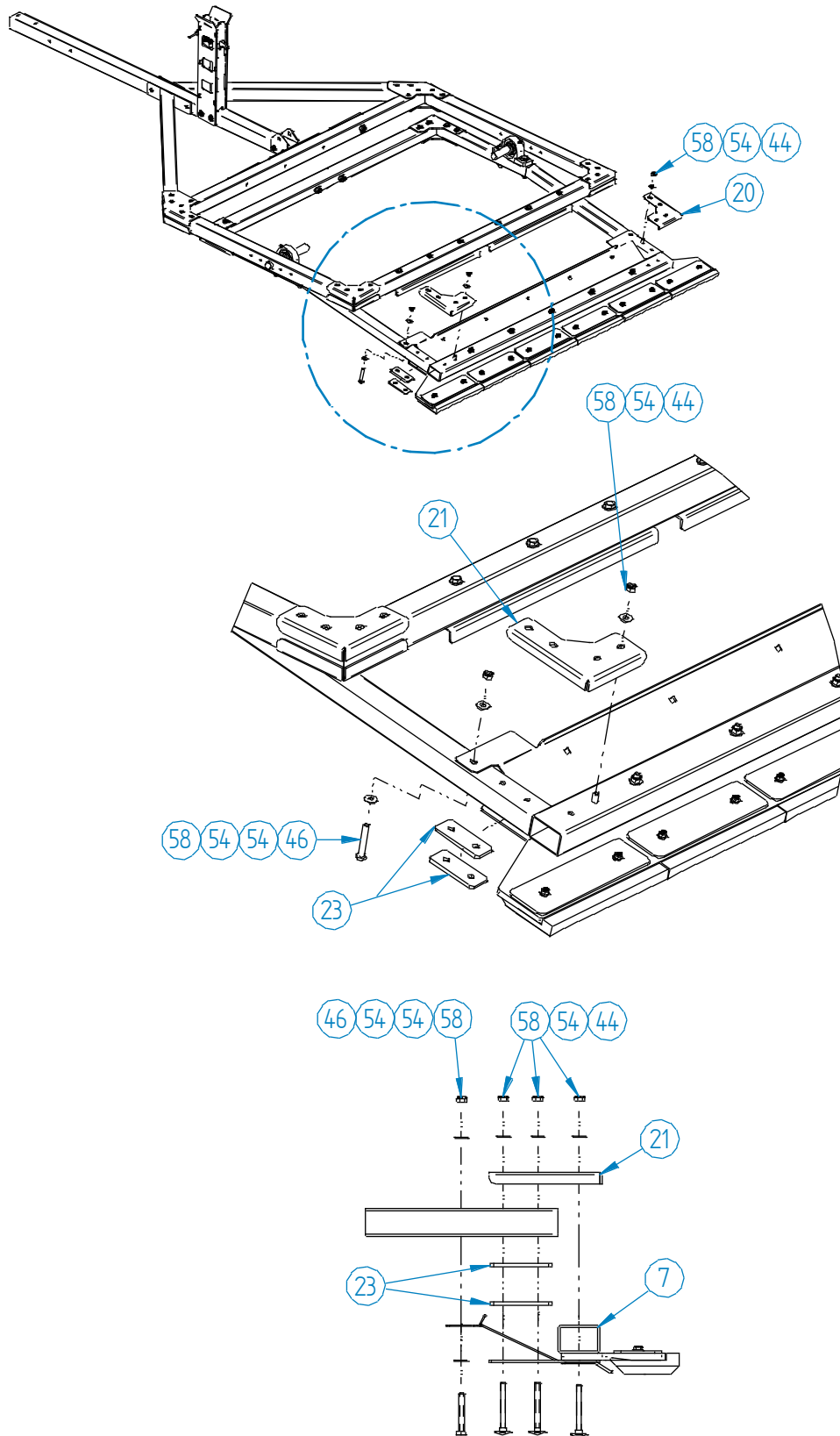
Step 12: Install the finisher plastic profiles (Pos.22) to the finisher rubber (Pos.8). For fastening, use mounting plates (Pos.31) and M6x30 bolts (Pos.45), Ø6mm washers (Pos.53) and M6 nyloc nuts (Pos.57).



Step 13: Install finisher rubber (Pos.8), deflector (Pos.9) and finisher pre profile maker (Pos.10) to the rear tube (Pos.7). For fastening, use M8x70 bolts (Pos.44), Ø8 mm washers (Pos.54) and M8 nyloc nuts (Pos.58).

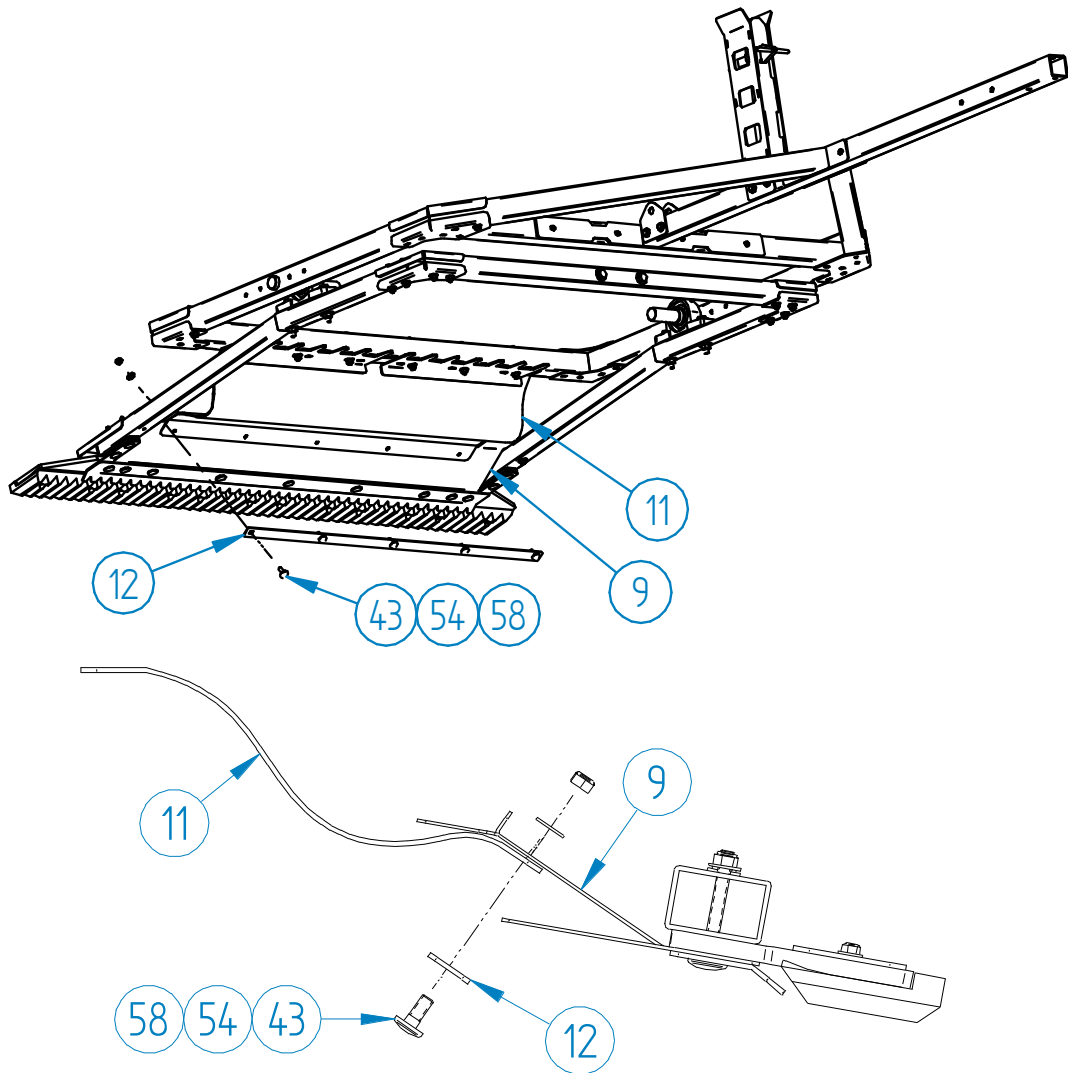


Step 14: Install the assembled rear finisher tube. For fastening, use mounting angles (Pos.20 and Pos.21) and M8x70 carriage bolts (Pos.44), M8x55 bolts (Pos.46), Ø8 mm washers (Pos.54) and M8 nyloc nuts (Pos.58). Between finisher deflector and side tube install distance plates (Pos.23). NB! Also tighten the bolts described in previous steps!



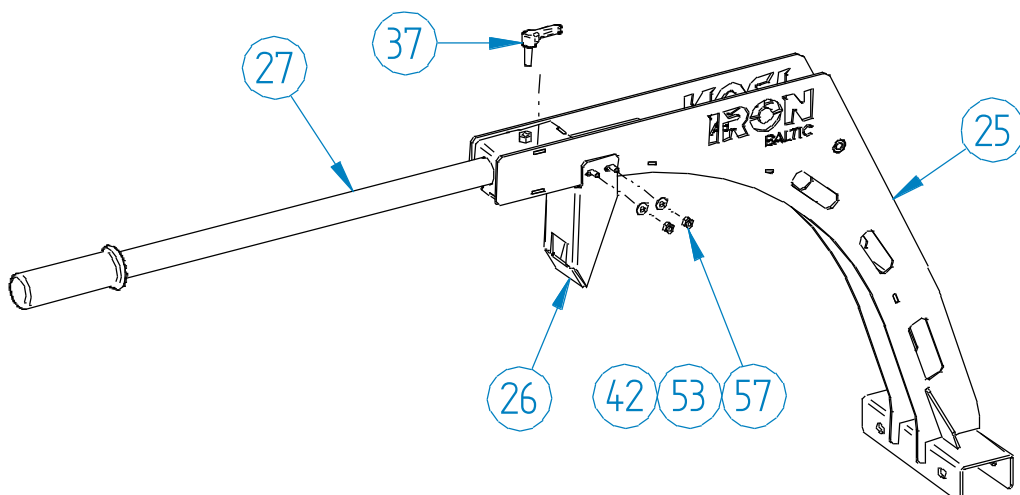
** Some details have been removed from the figure for better visibility*

Step 15: Install the finisher rubber deflector (Pos.11) to the assembled rear tube and deflectors (pos.9). For fastening, use mounting plates (Pos.12) and M8x20 carriage bolts (Pos.43), Ø8 mm washers (Pos.54) and M8 nyloc nuts (Pos.58).

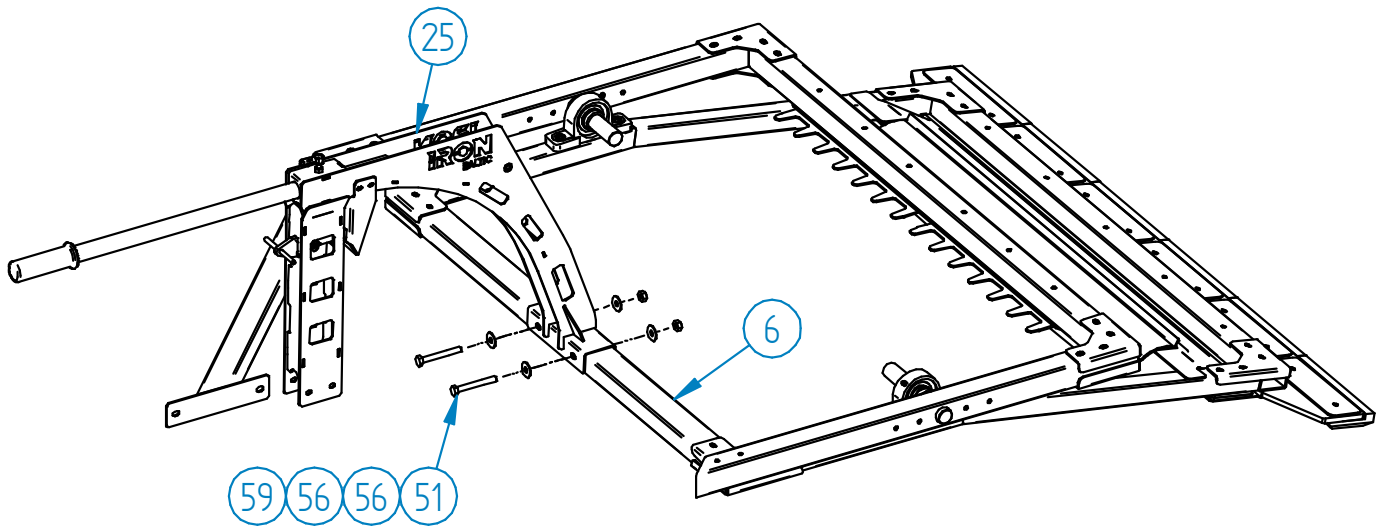


** Some details have been removed from the figure for better visibility*

Step 16: Install the lever lock slot (Pos.26) and the lever extension (Pos.27) to the finisher lever (Pos.25). Use M6x16 (Pos.42), Ø6 mm washers (Pos.53) and M6 nyloc nuts (Pos.57) to fasten the lock slot. Use fixing handle (Pos.37) to fix the lever extension.

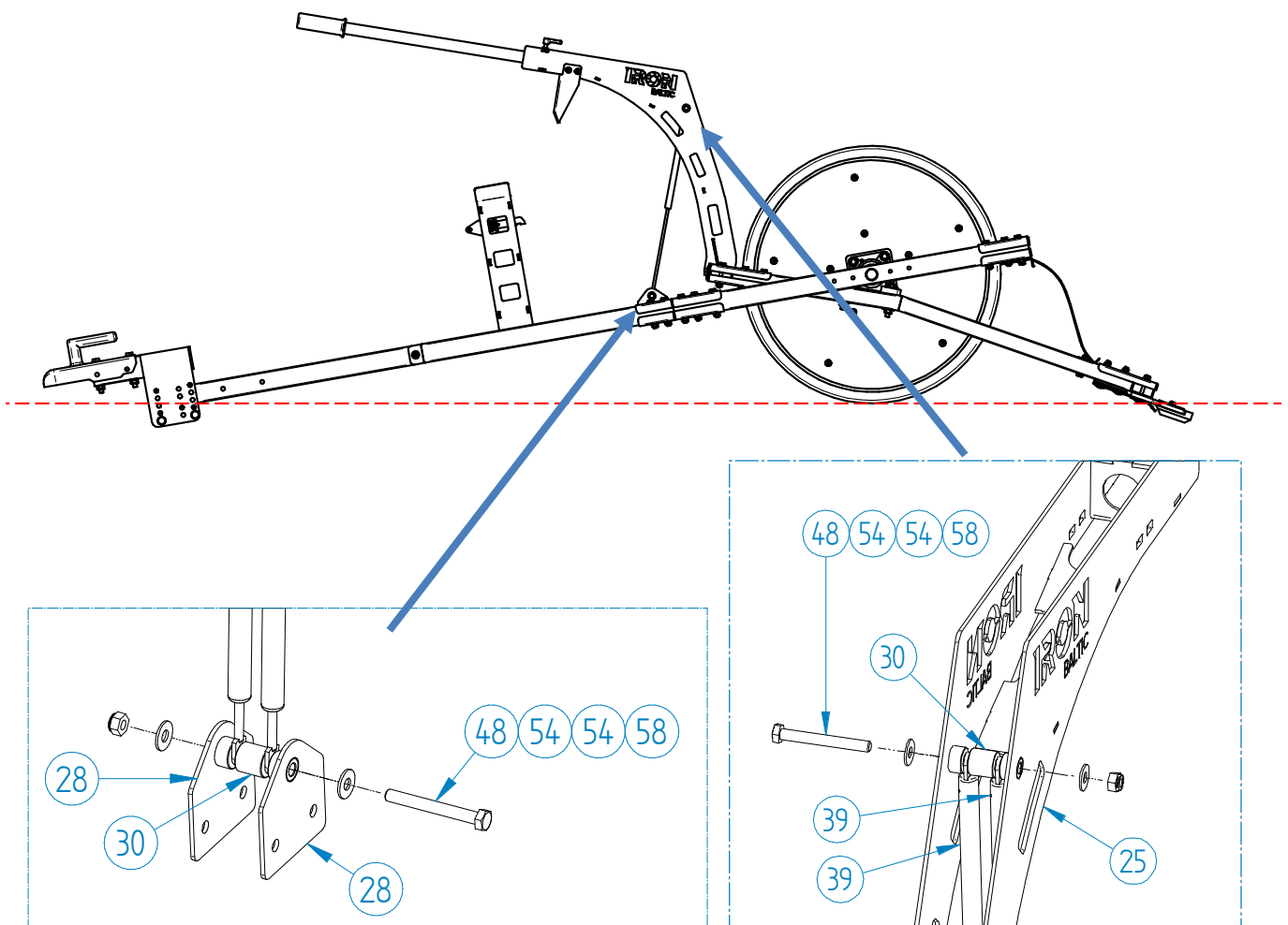


Step 17: Install the assembled lever to the finisher. For fastening use M10x85 bolts (Pos.51), Ø10 mm washers (Pos.56) and M10 nyloc nuts (Pos.59). NB! Make sure the locking is working properly. If necessary, move the lever slot on the lever and/or the lever lock on the drawbar to adjust the distance between them as appropriate.



** Some details have been removed from the figure for better visibility*

Step 18: Install gas springs (Pos.39) to the finisher lever (Pos.25) and lower mounts (Pos.28). For fastening, use M8x70 bolts (Pos.48), Ø8mm washers (Pos.54) and M8 nyloc nuts (Pos.58). Install a bush (Pos.30) as a distance between the two gas springs. It is easiest to install the gas springs when the roller's draw bar and finisher are against the ground and lower than the roller itself. That is, the finisher is in the maximum position.



IRON BALTIC

IRON BALTIC OÜ
Joa tee 17
Vääna 76903
Estonia / Europe

+372 6 533 711
sales@ironbaltic.com

www.ironbaltic.com
www.facebook.com/ironbaltic
www.youtube.com/user/ironbalticld

