

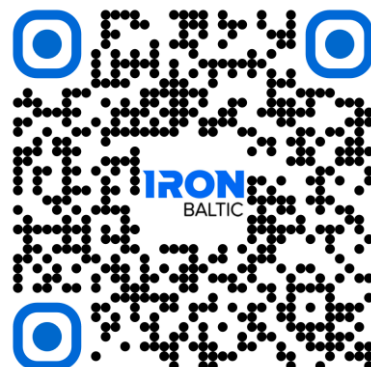
IRON BALTIC

TRANSPORT WHEELS SNOW ROLLER 1450 / 2700

Code 47.5400

Version 27052025

DOWNLOAD MULTILINGUAL
USER MANUAL



code.ironbaltic.com/u/TzY7FDCM



Keep this manual for future reference!

If you need any spare parts, please send this packaging data to your local dealer or to Iron Baltic
sales@ironbaltic.com

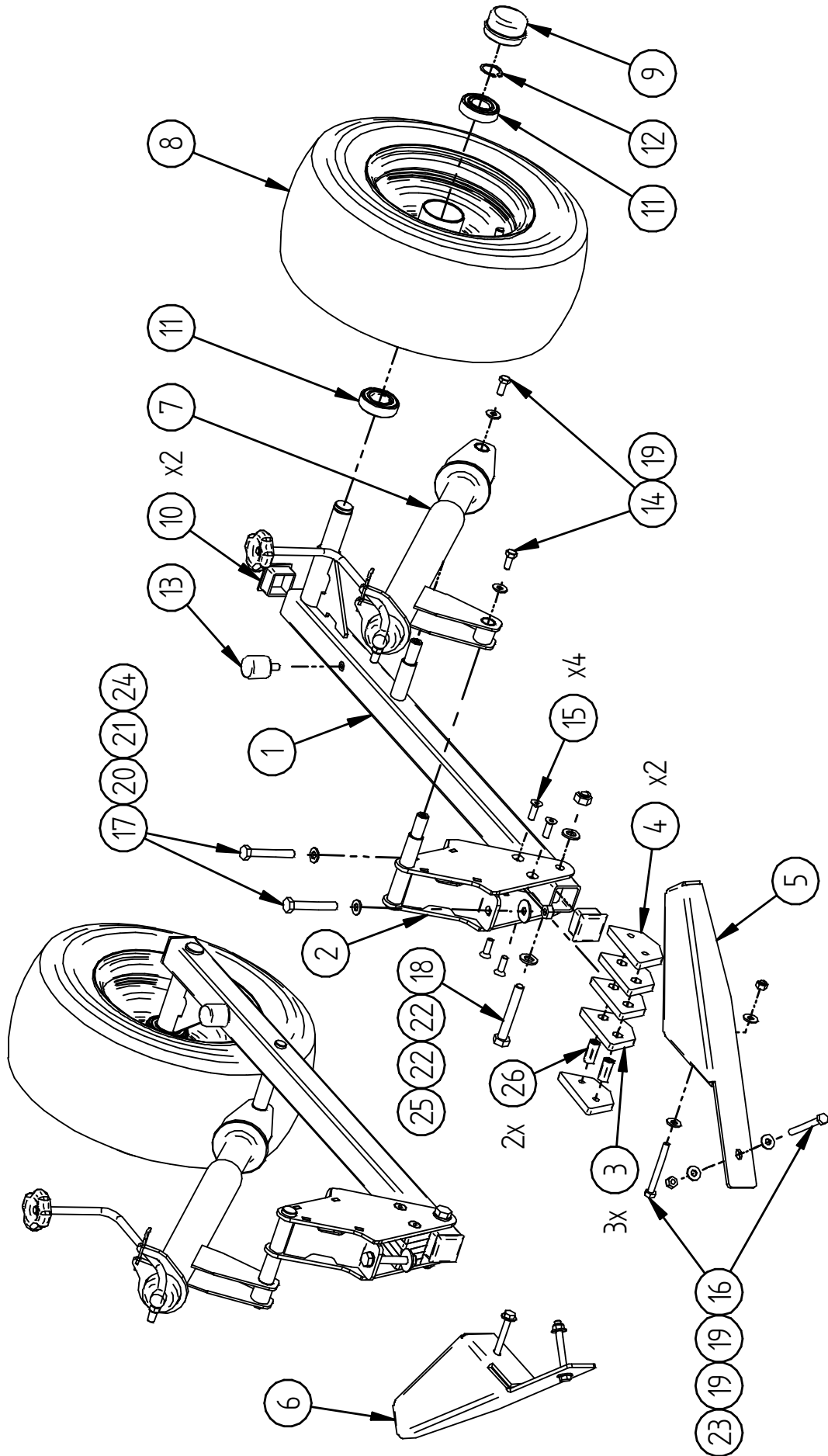
SPECIFICATION

Pos.	Description	Code	Amount
1	Wheel frame	47.5401S	2
2	Upper mount	47.5406K	2
3	Plastic plate 1	47.5409	6
4	Plastic plate 2	47.5410	4
5	Extension left	47.5411	1
6	Extension right	47.5412	1
7	Regulator	14.10400	2
8	Wheel 16x6,5-8	27.008ML	2
9	Wheel cap	27.015ML	2
10	Tube end cap 40x40	OT.10.07.010	4
11	Bearing 6205 2RS	OT.41.00.020	4
12	Retaining ring Ø25 DIN 471	OT.26.00.030	2
13	Rubber damper Ø30x30 M8	OT.35.03.030	2
14	Bolt M8x20 DIN933	OT.02.02.180	4
15	Bolt M8x25 DIN7991	OT.02.04.160	8
16	Bolt M8x75 DIN931	OT.02.01.016	4
17	Bolt M10x70 DIN931	OT.02.01.046	4
18	Bolt M12x80 DIN931	OT.02.01.119	2
19	Washer Ø8/20 SFS3738	OT.04.03.030	12
20	Washer Ø10 DIN125	OT.04.01.040	4
21	Washer Ø10 DIN9021	OT.04.02.050	4
22	Washer Ø12 DIN125	OT.04.01.050	4
23	Nyloc nut M8 DIN985	OT.03.02.040	4
24	Nyloc nut M10 DIN985	OT.03.02.050	4
25	Nyloc nut M12 DIN985	OT.03.02.060	2
26	Hexagon coupling M8x30	OT.03.09.015	4



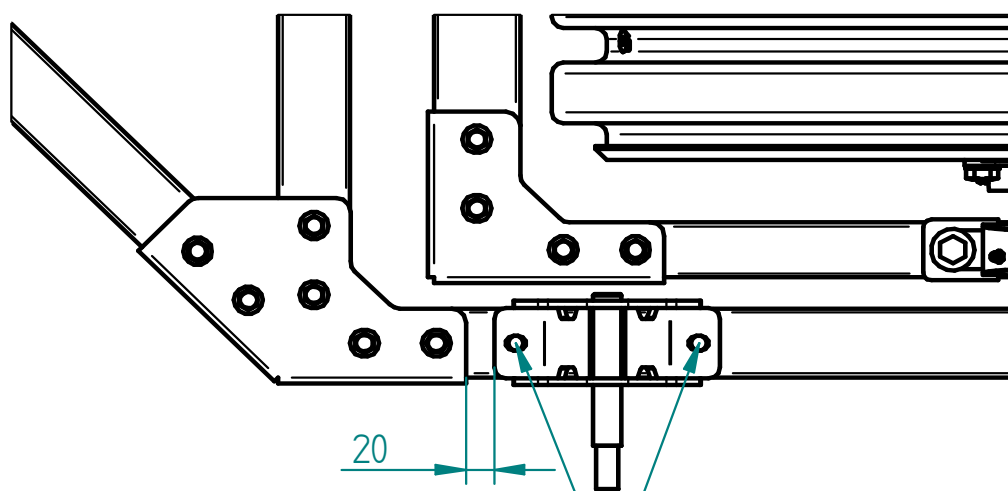
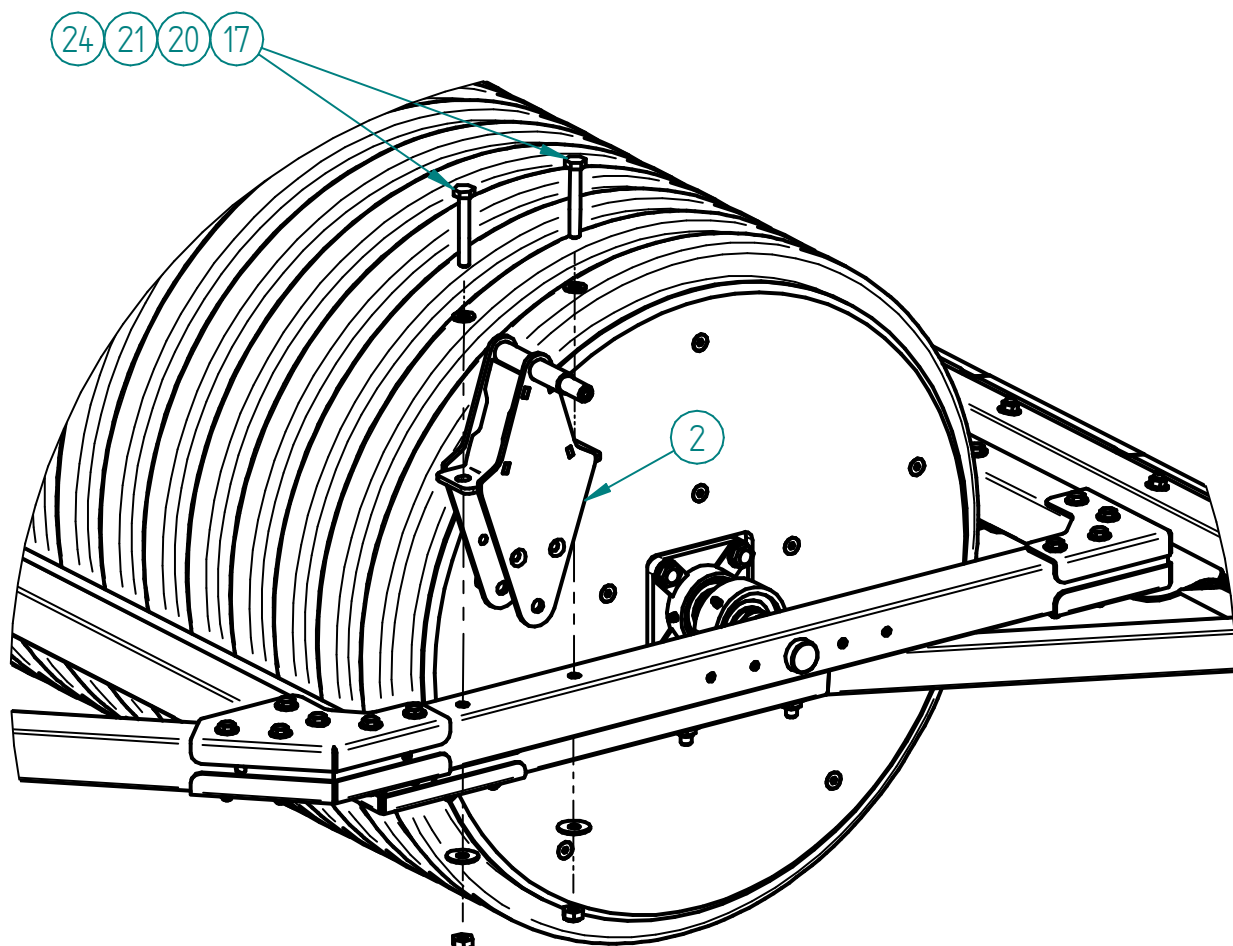
NB!

The maximum speed allowed with transport wheels in work position is 15 km/h!



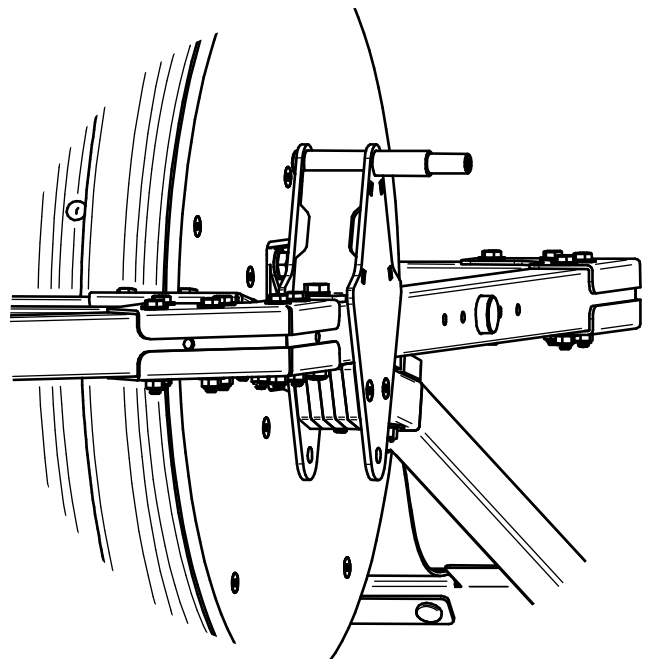
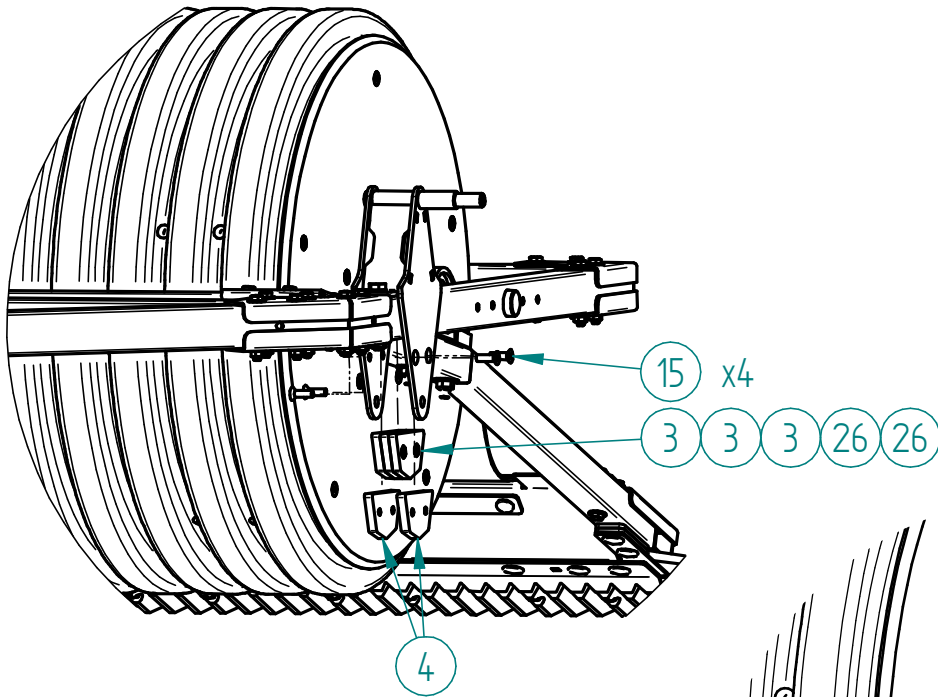
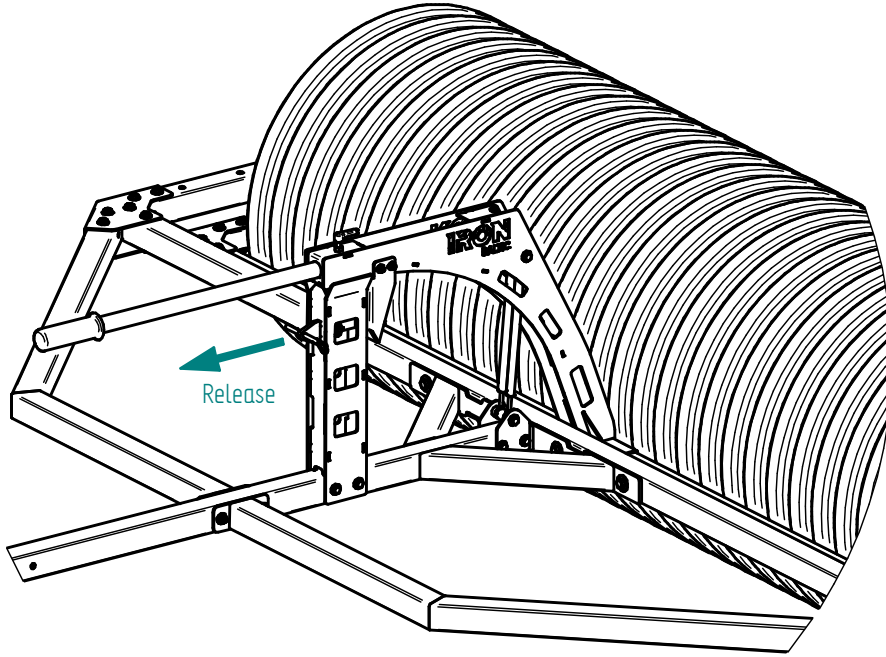
FITTING INSTRUCTIONS

Step 1: Install upper mount (Pos. 2). For fastening use M10x70 bolts (Pos. 17), Ø10 washers (Pos. 20 and Pos. 21) and M10 nyloc nuts (Pos. 24). **NB! On newer versions of snow rollers, the mounting holes are predrilled. On older versions the holes must be drilled by the user!**

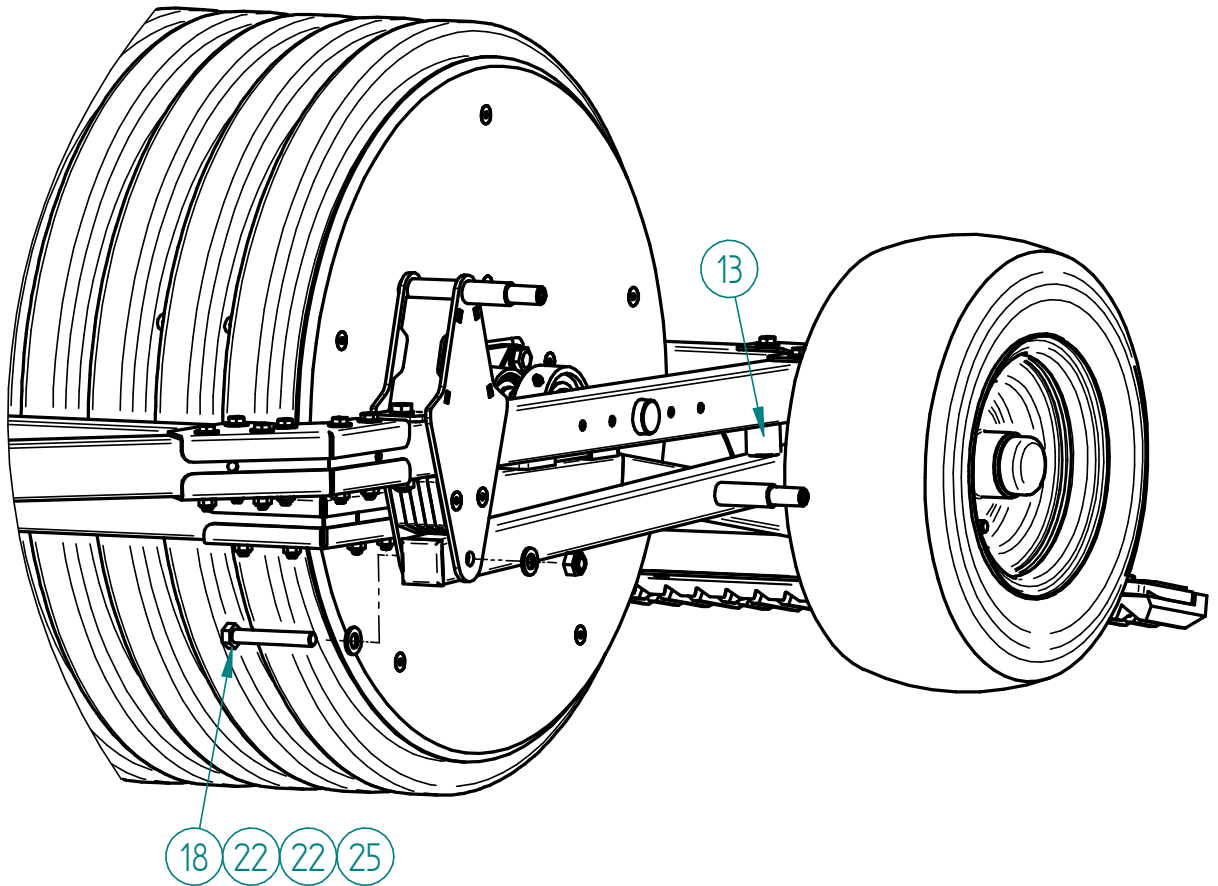


If there are no holes, mark the hole locations and drill $\varnothing 10$ mm holes.

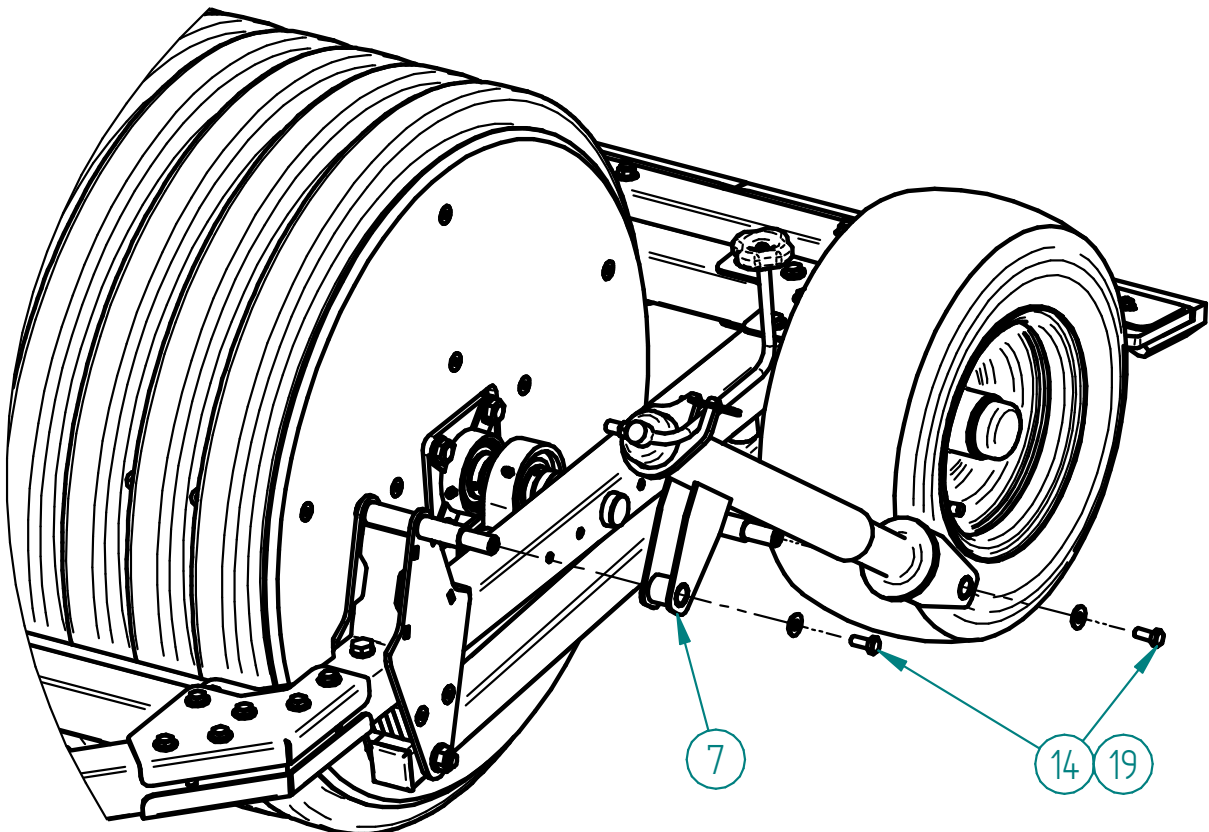
Step 2: Release and lower the finisher and then install plastic plates (Pos. 3 and Pos. 4) between upper mount. For fastening use M8x25 bolts (Pos. 15).



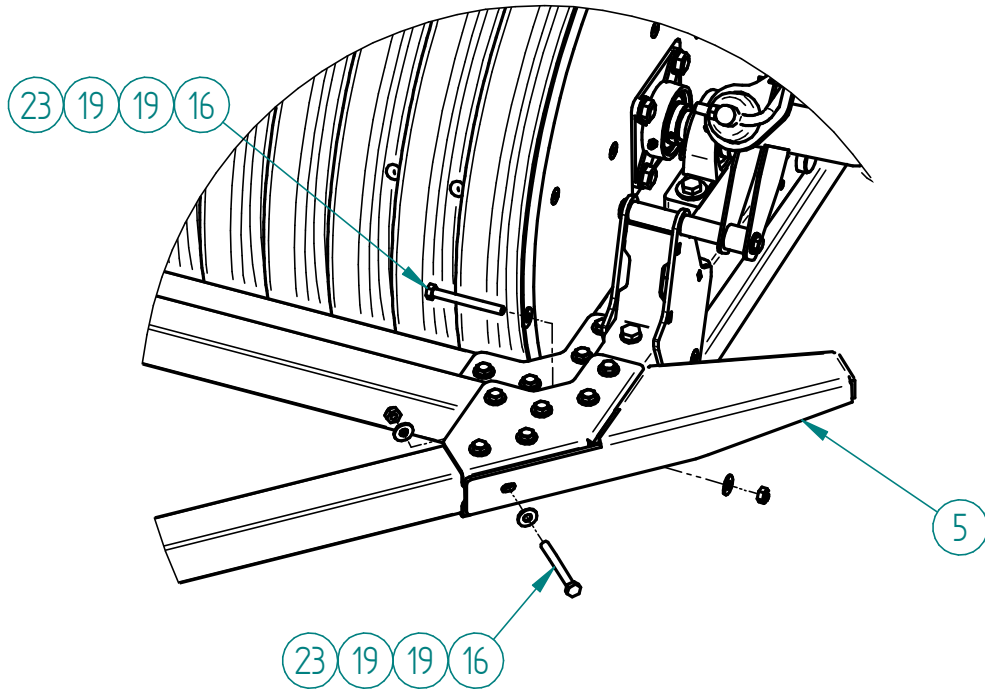
Step 3: Install wheel frame (Pos. 1) with wheel to the upper mount. For fastening use M12x80 bolt (Pos. 18), Ø12 mm washers (Pos. 22) and M12 nyloc nut (Pos. 25). Also install rubber damper (Pos. 13).



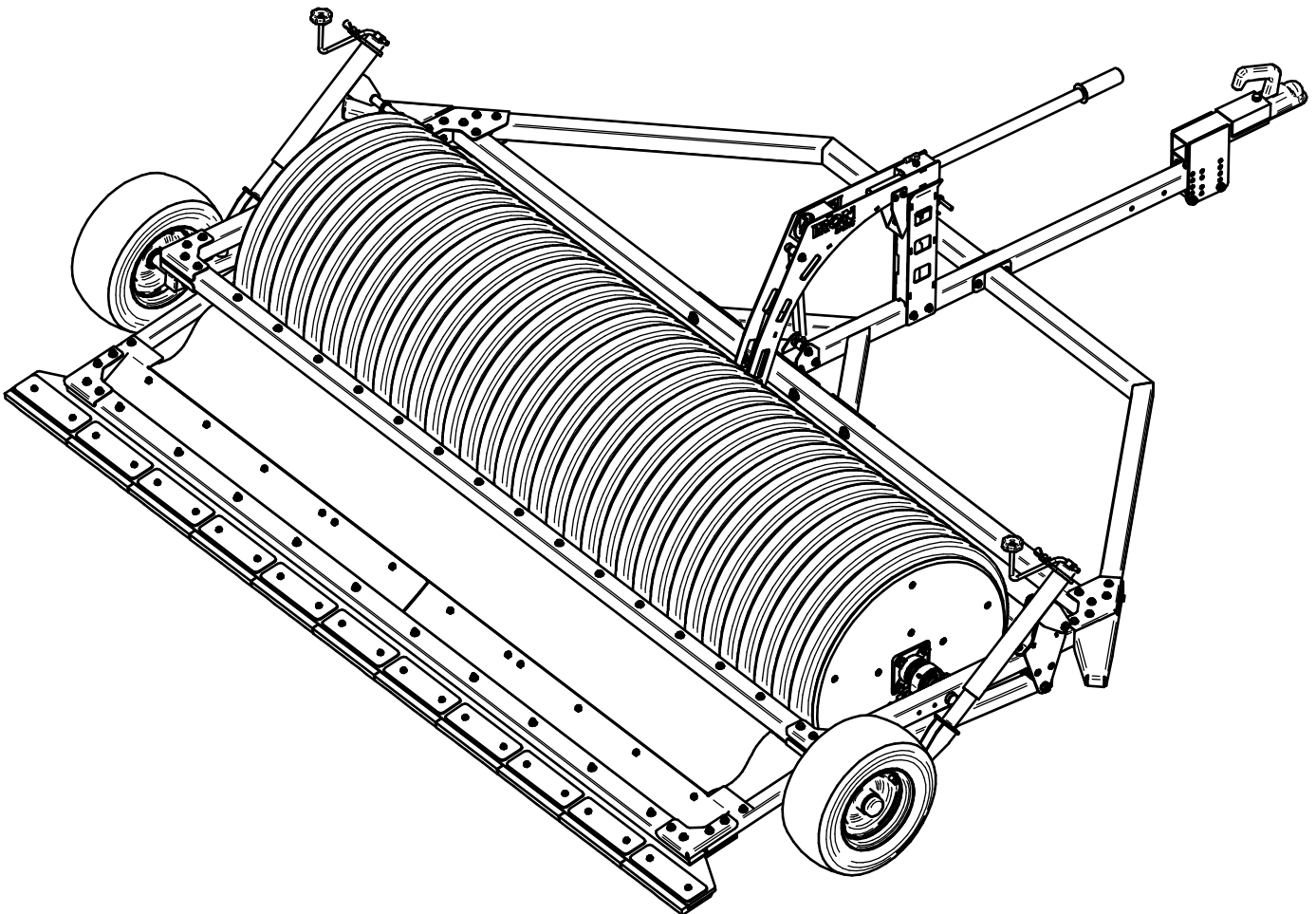
Step 4: Install regulator (Pos. 7). For fastening use M8x20 bolts (Pos. 14) and Ø8 washers (Pos. 19).



Step 5: Install left extension (Pos. 5). For fastening use M8x75 bolts (Pos. 16), Ø8 washers (Pos. 19) and M8 nyloc nuts (Pos. 23). **NB! On newer versions of snow rollers, the mounting holes are predrilled. On older versions the holes must be drilled by the user!**



Step 6: Follow steps 1-5 to install right side transport wheel.



IRON BALTIC

IRON BALTIC OÜ
Joa tee 17
Vääna 76903
Estonia / Europe

+372 6 533 711
sales@ironbaltic.com

www.ironbaltic.com
www.facebook.com/ironbaltic
www.youtube.com/user/ironbalticLtd

