

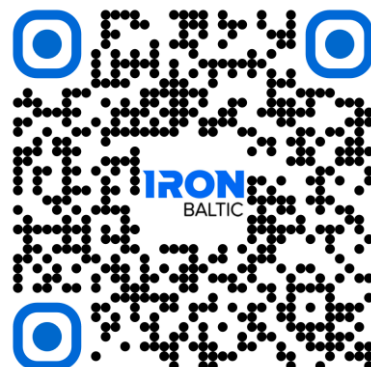
# IRON BALTIC

## ICE BLADE SNOW ROLLER 2700

Code 47.5300

Version 10042024

DOWNLOAD MULTILINGUAL  
USER MANUAL

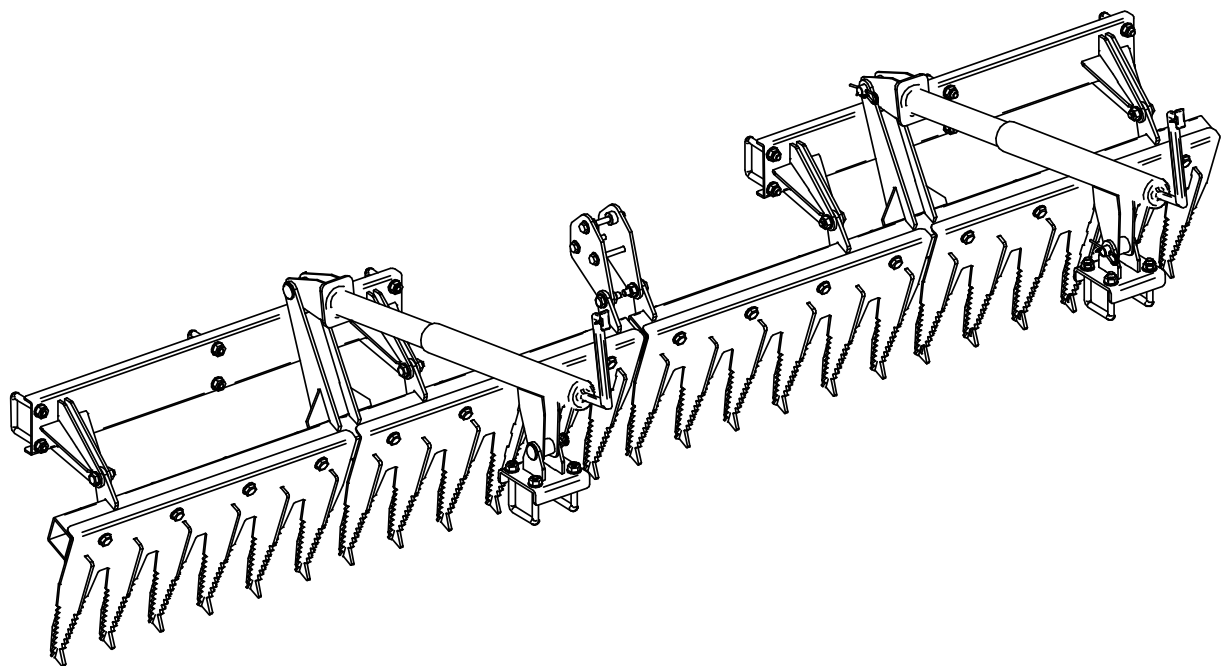


[code.ironbaltic.com/u/TzY7FDCM](https://code.ironbaltic.com/u/TzY7FDCM)



**Keep this manual for future reference!**

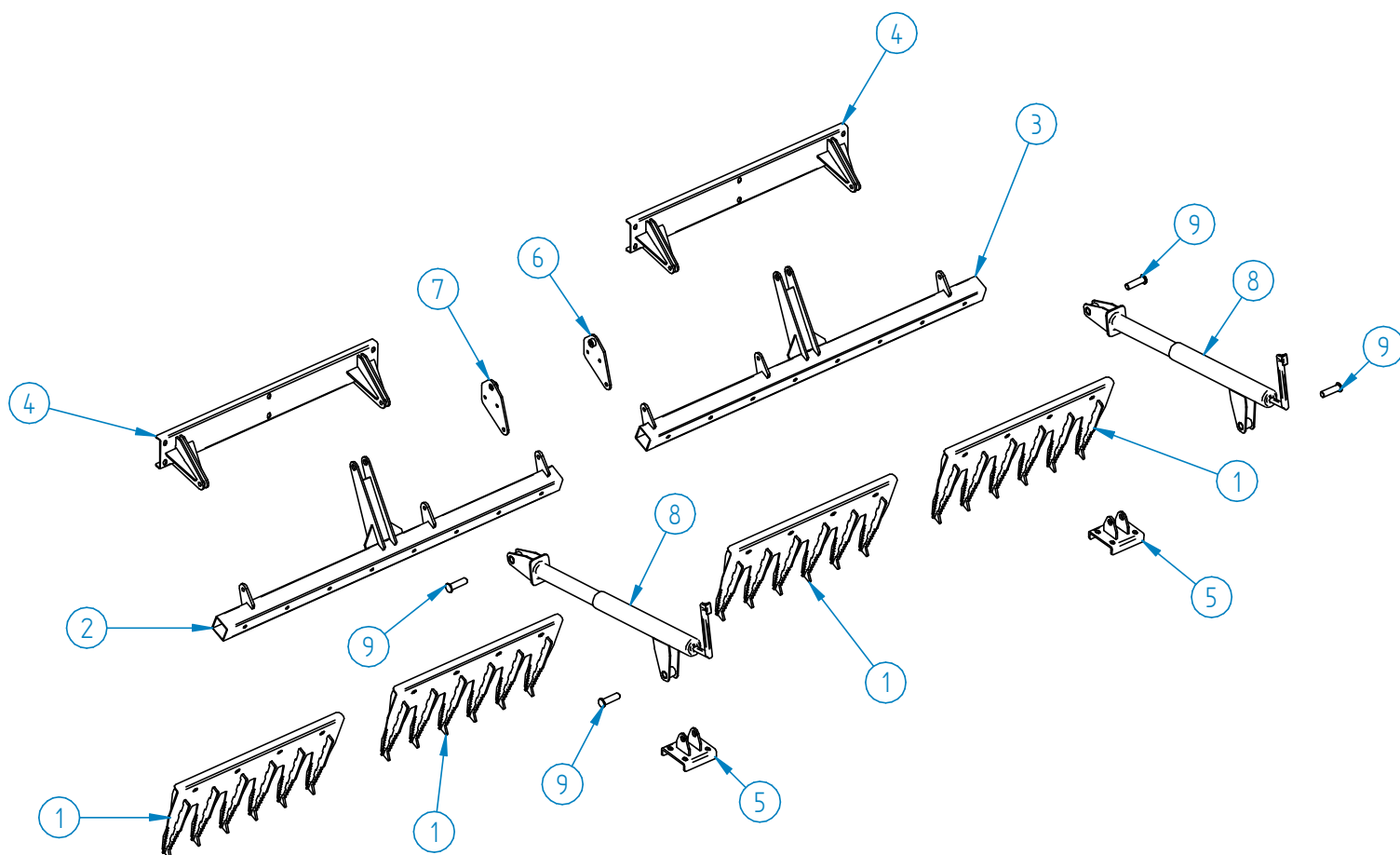
If you need any spare parts, please send this packaging data to your local dealer or to Iron Baltic  
[sales@ironbaltic.com](mailto:sales@ironbaltic.com)



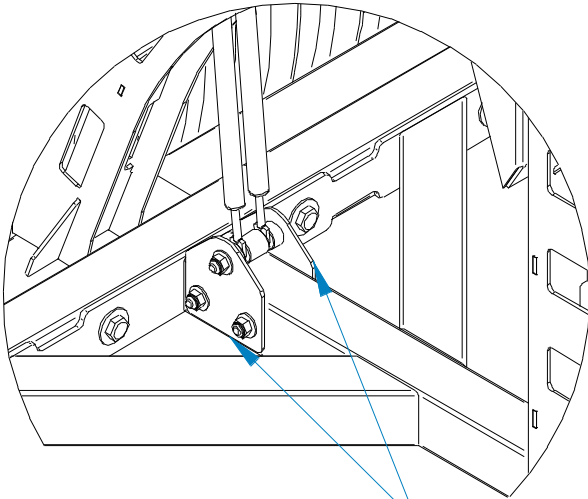
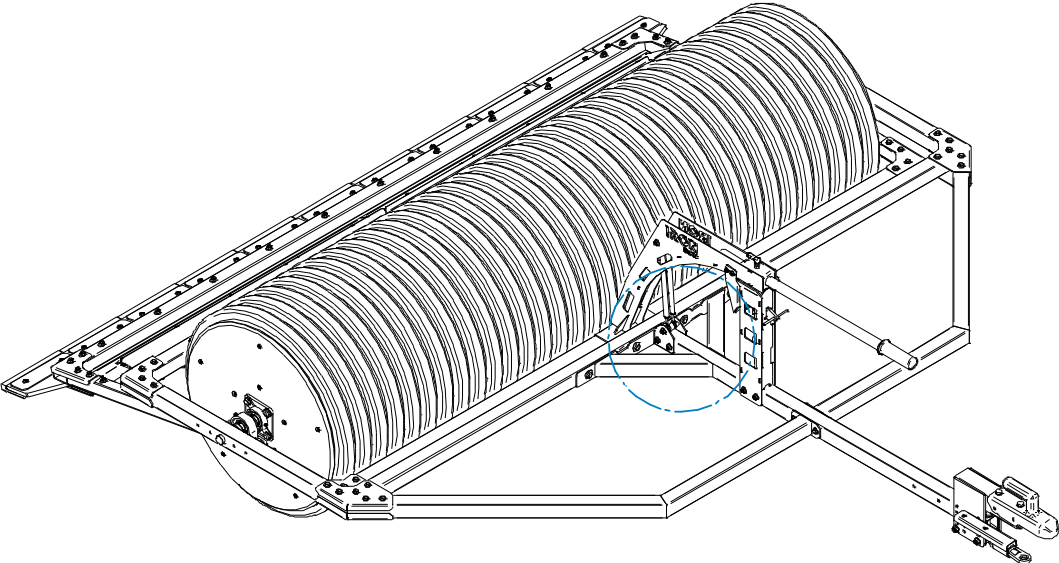
47.5300 Ice blade for snow roller

# FITTING INSTRUCTIONS

Pos.	Description	Code	Amount
1	Ice blade	47.5301K	4
2	Ice blade tube right	47.5303K	1
3	Ice blade tube left	47.5304K	1
4	Ice blade holder	47.5306K	2
5	Regulator holder	47.5309K	2
6	Mounting plate 1	47.5311K	1
7	Mounting plate 2	47.5313K	1
8	Regulator	14.10400	2
9	Pin	71.3005	4
10	U-Bolt 50 mm	84.2010	10
11	Cotter pin 3 DIN 11024	OT.07.01.020	4
12	Bolt M8x75 DIN931	OT.02.01.016	3
13	Bolt M10x35 DIN933	OT.02.02.329	6
14	Bolt M10x70 DIN933	OT.02.02.350	16
15	Washer Ø8/20 SFS3738	OT.04.03.030	6
16	Washer Ø 10 DIN125	OT.04.01.040	64
17	Nyloc nut M8 DIN985	OT.03.02.040	3
18	Nyloc nut M10 DIN985	OT.03.02.050	42



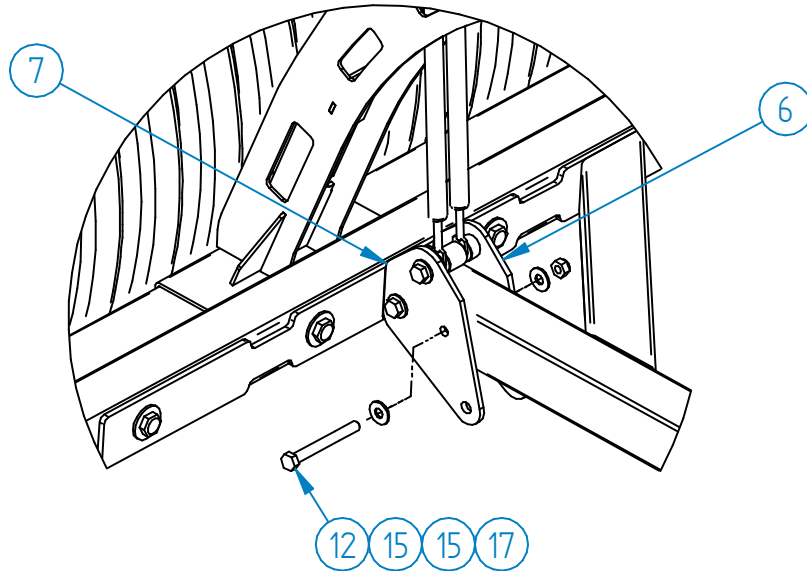
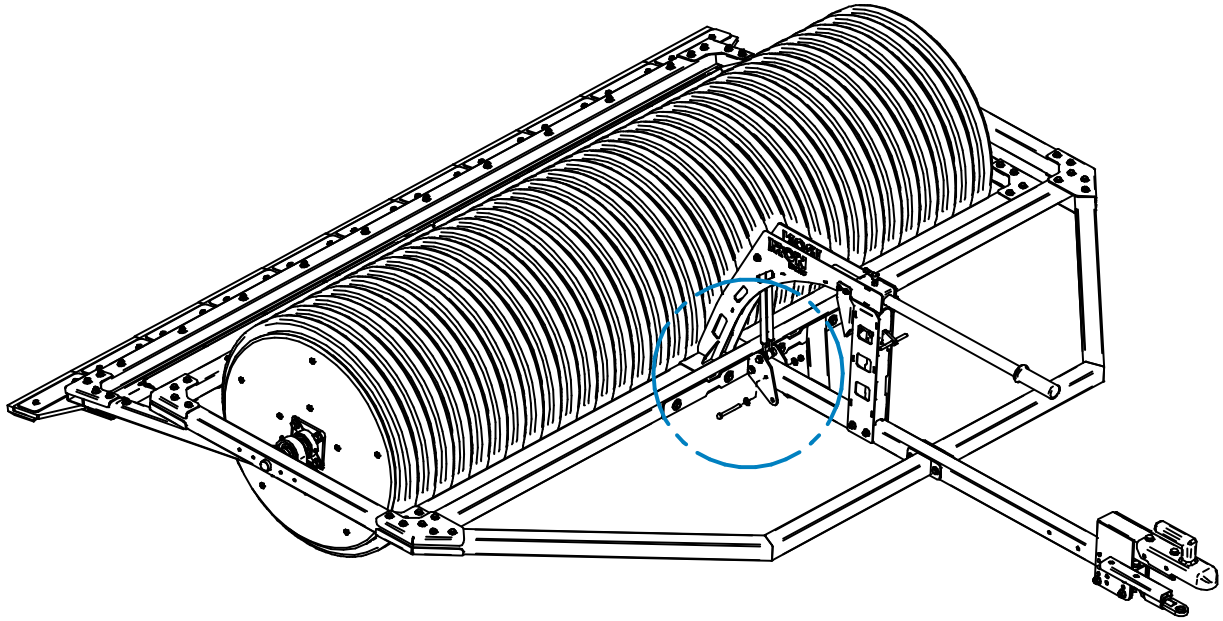
**Step 1:** Remove gas springs original lower mounts.



Remove gas springs  
original lower mounts

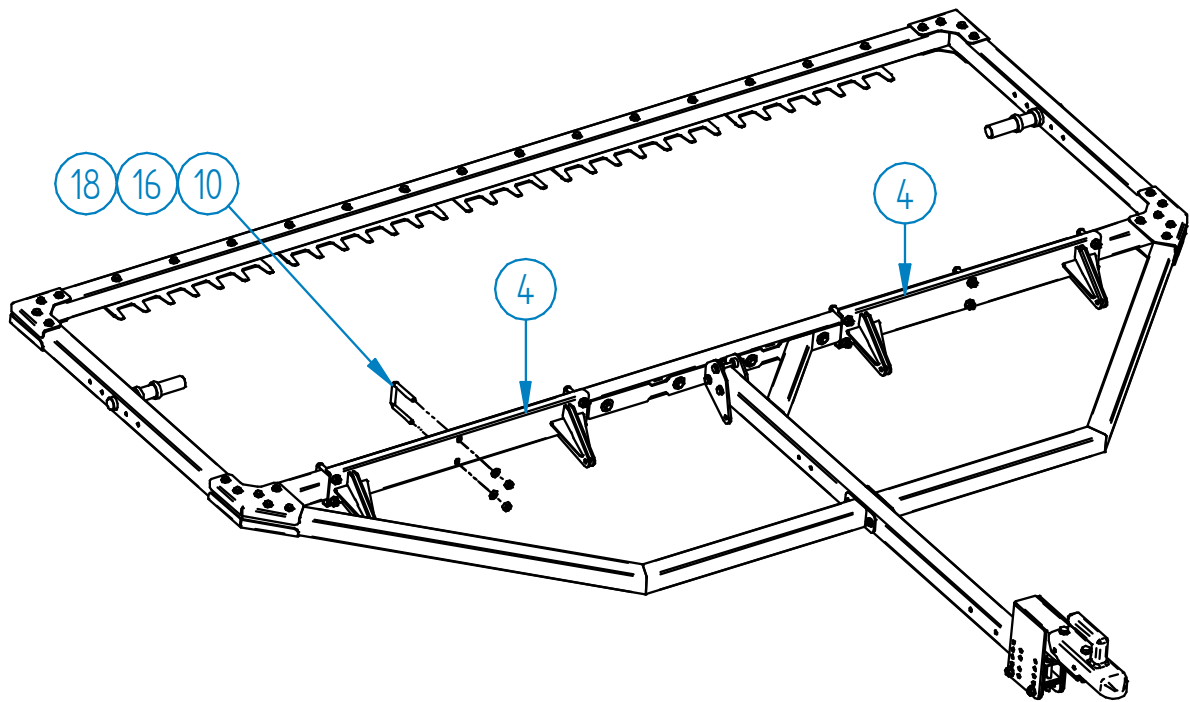
*\* Some details are hidden from the drawing for better visibility*

**Step 2:** Install the new gas springs lower mounts (Pos.6 and Pos.7). For fastening, use M8x75 bolts (Pos.12), Ø8 mm washers (Pos.15) and M8 nyloc nuts (Pos.17).



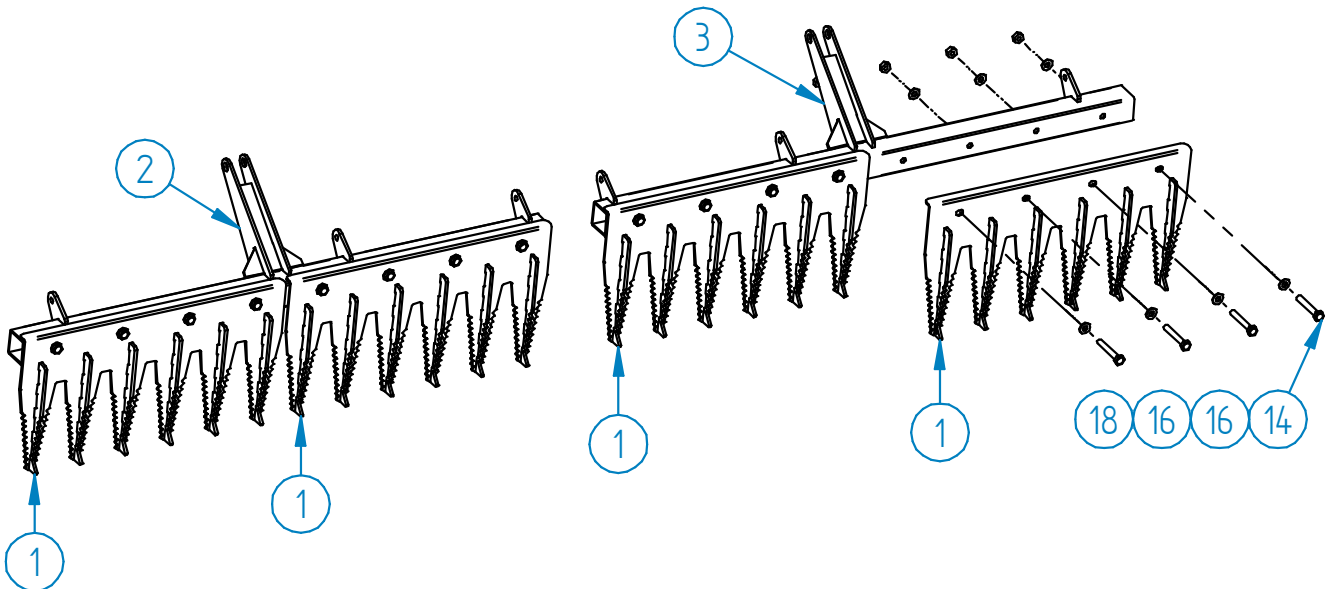
*\* Some details are hidden from the drawing for better visibility*

**Step 3:** Install the ice blade holders (Pos.4) on the snow roller frame. For fastening use 50 mm U-bolts (Pos.10), Ø10 mm washers (Pos.16) and M10 nyloc nuts (Pos.18). NB! Do not tighten the bolts!



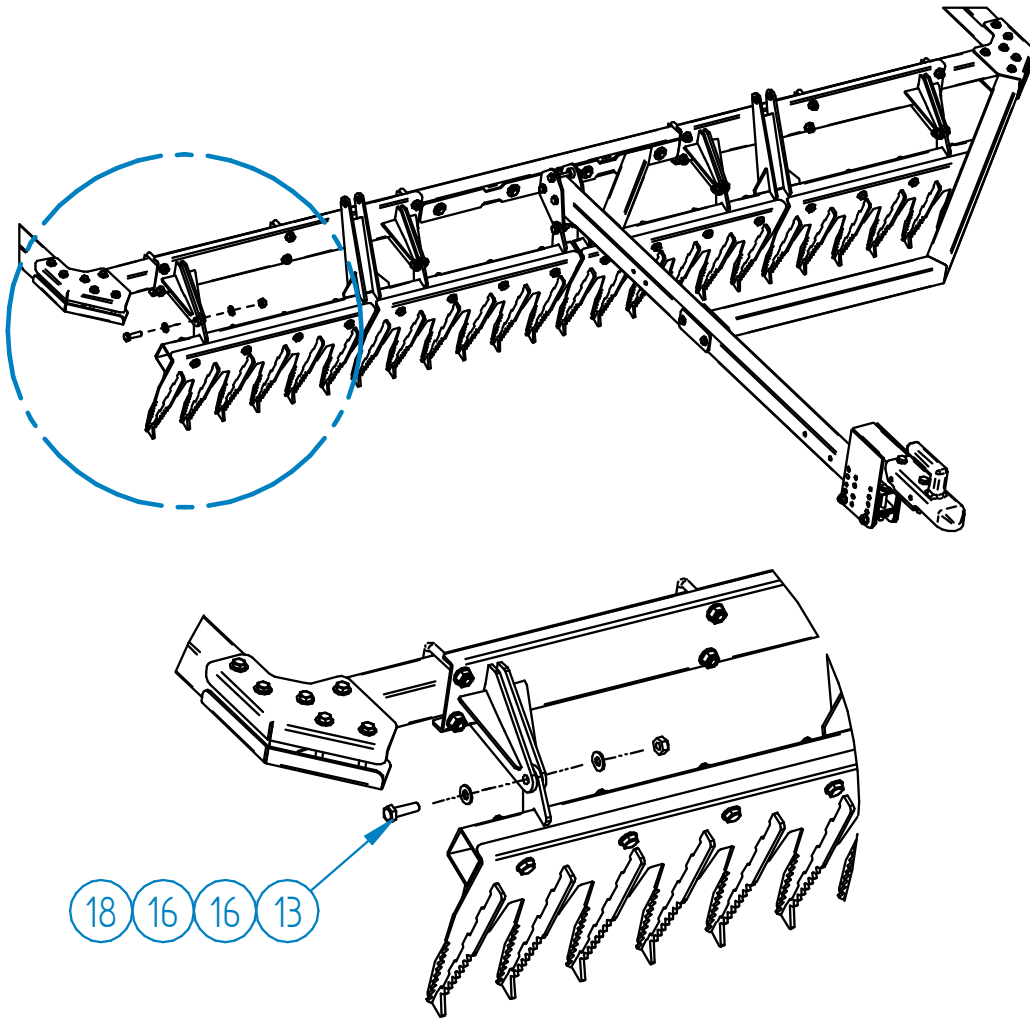
*\* Some details are hidden from the drawing for better visibility*

**Step 4:** Install the ice blades (Pos.1) to the right holder (Pos.2) and to the left holder (Pos.3). For fastening use M10x70 bolts (Pos.14), Ø10 washers (Pos.16) and M10 nyloc nuts (Pos.18).



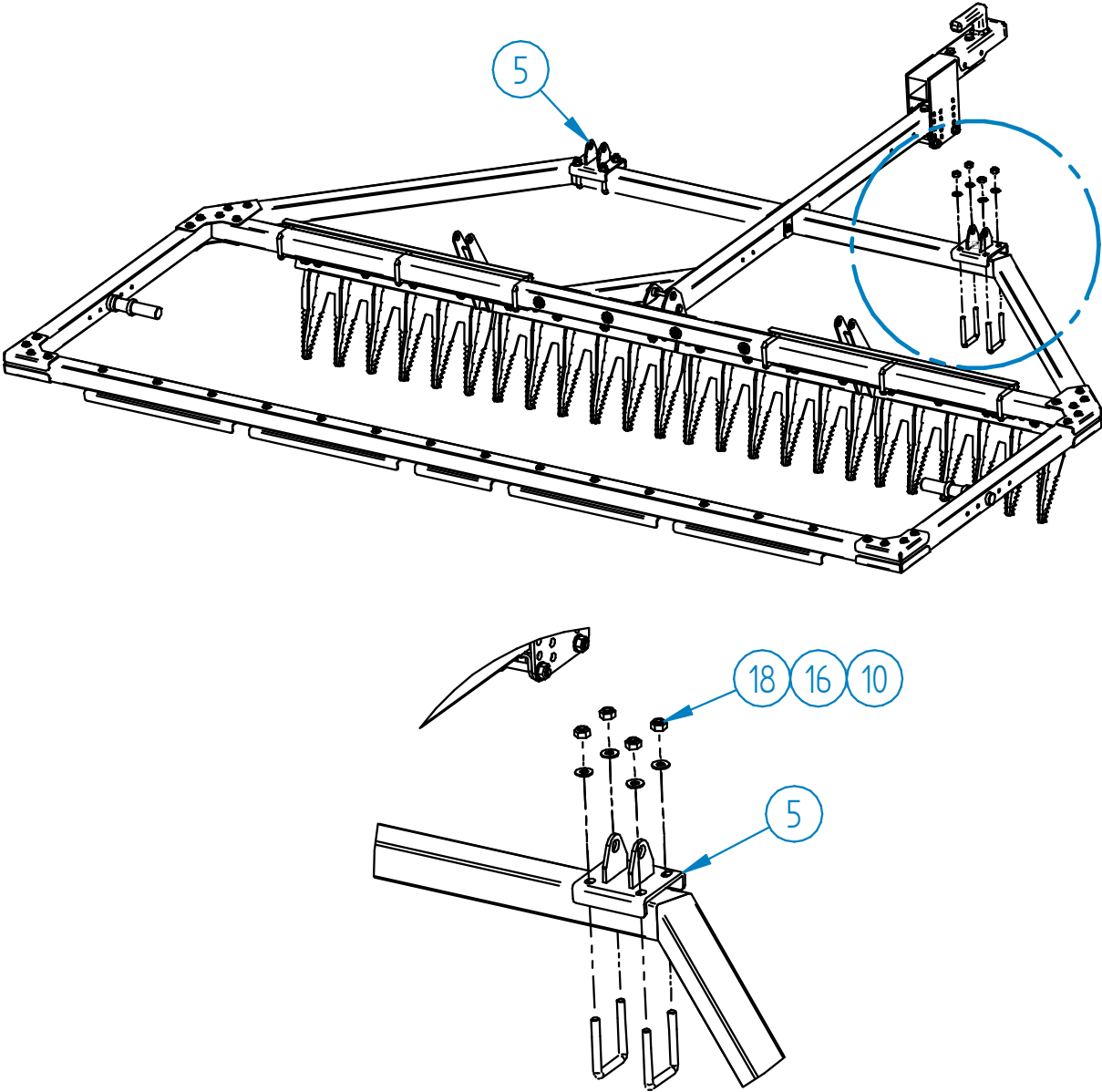
**Step 5:**

Install the assembled right and left ice blades to the previously installed holders. For fastening use M10x35 bolts (Pos.13), Ø10 washers (Pos.16) and M10 nyloc nuts (Pos.18). Also tighten the bolts/nuts provided in step 3.



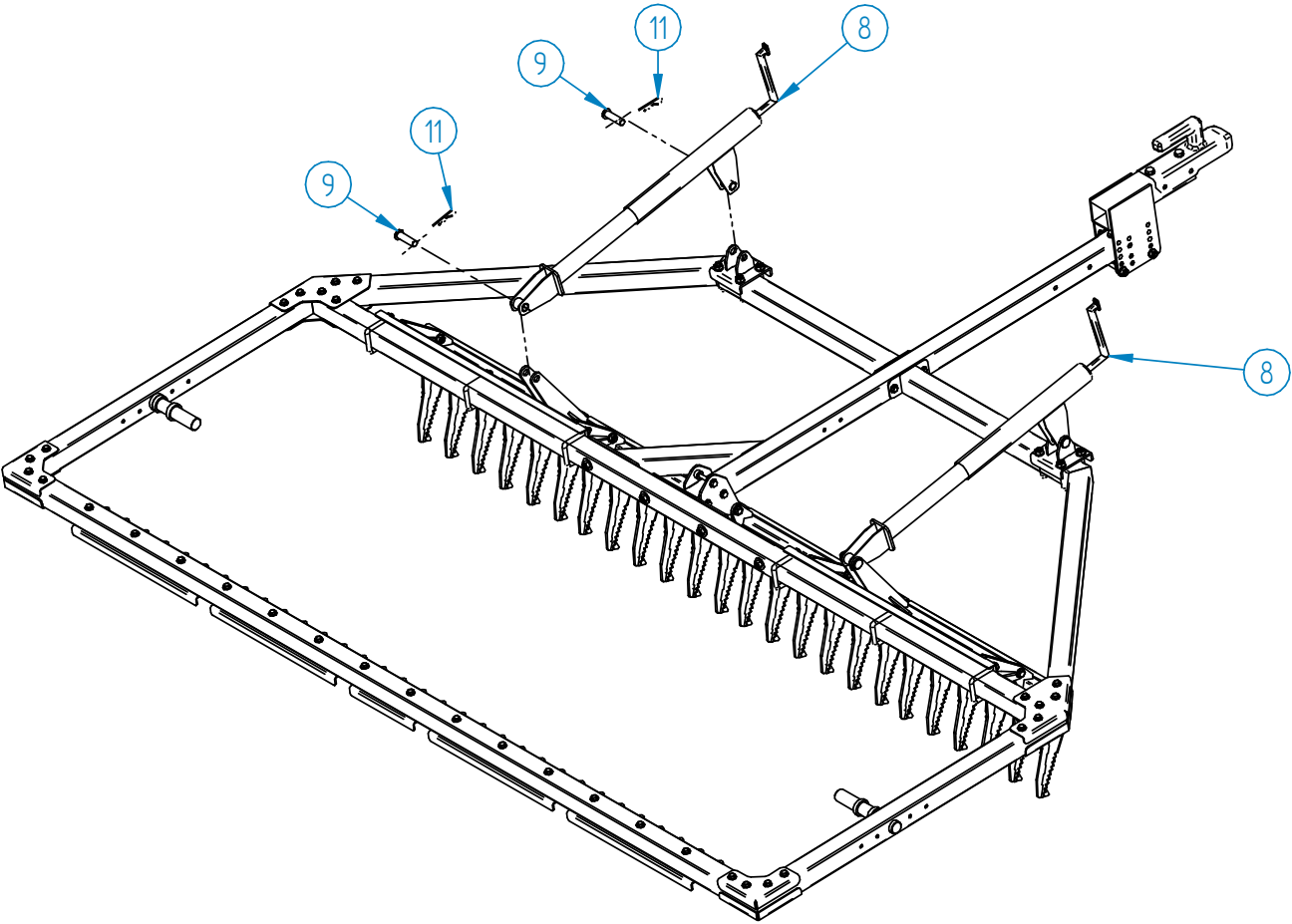
*\* Some details are hidden from the drawing for better visibility*

**Step 6:** Install the regulator holders (Pos.5). For fastening use 50mm U-bolts (Pos.10), Ø10 washers (Pos.16) and M10 nyloc nuts (Pos.18). NB! Do not tighten bolts/nuts!



*\* Some details are hidden from the drawing for better visibility*

**Step 7:** Install the regulator (Pos.8). Use pin (Pos.9) and needle splints (Pos.11) for fastening. NB! Tighten the bolts/nuts provided in the previous step.



*\* Some details are hidden from the drawing for better visibility*





# IRON BALTIC

IRON BALTIC OÜ  
Joa tee 17  
Vääna 76903  
Estonia / Europe

+372 6 533 711  
[sales@ironbaltic.com](mailto:sales@ironbaltic.com)

[www.ironbaltic.com](http://www.ironbaltic.com)  
[www.facebook.com/ironbaltic](https://www.facebook.com/ironbaltic)  
[www.youtube.com/user/ironbalticLtd](https://www.youtube.com/user/ironbalticLtd)

