

IRON BALTIC

DOWNLOAD MULTILINGUAL
USER MANUAL



code.ironbaltic.com/u/Db2Akytb

PLOW-ANGLE ADJUSTER

V-Plow

G2 1500 / 1800

Code 34.2170

Version 29012025

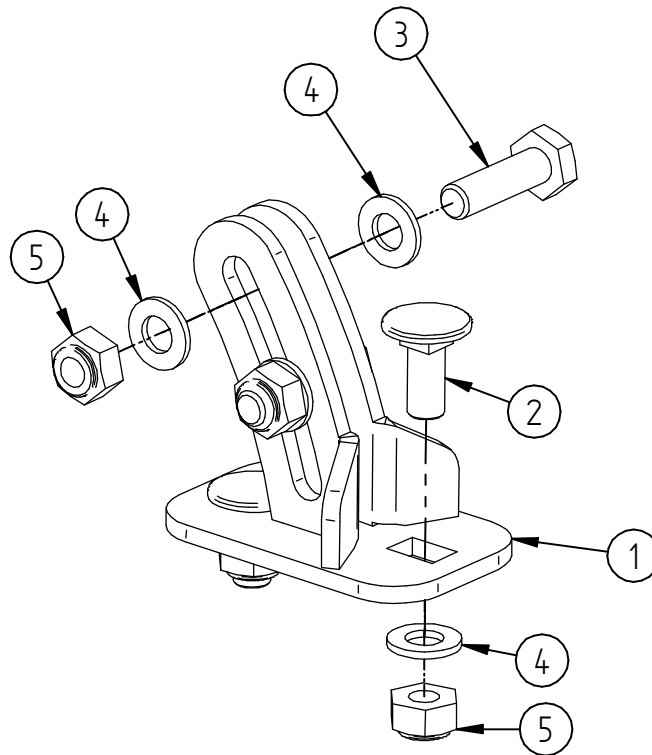


Keep this manual for future reference!

If you need any spare parts, please send this packaging data to your local dealer or to Iron Baltic sales@ironbaltic.com

SPECIFICATION

Pos.	Description	Code	Amount
1	Plow angle adjuster	34.2600	1
2	Carriage bolt M10x25 DIN603	OT.02.05.105	2
3	Bolt M10x35 DIN933	OT.02.02.329	2
4	Washer Ø10/20 DIN125	OT.04.01.040	6
5	Nyloc nut M10 DIN985	OT.03.02.050	4



* Numbers on drawing correspond to Pos numbers on specification table.



TOOLS REQUIRED FOR INSTALLATION:

- Spanner 17 mm
- Socket wrench 17 mm

IRON BALTIC

IRON BALTIC OÜ
Joa tee 17
Vääna 76903
Estonia / Europe

+372 6 533 711
sales@ironbaltic.com

www.ironbaltic.com
www.facebook.com/ironbaltic
www.youtube.com/user/ironbalticLtd