

## ELECTRO-HYDRAULIC HEIGHT ADJUSTER FOR FLAIL MOWER

Code 27.9000

Version 31102023

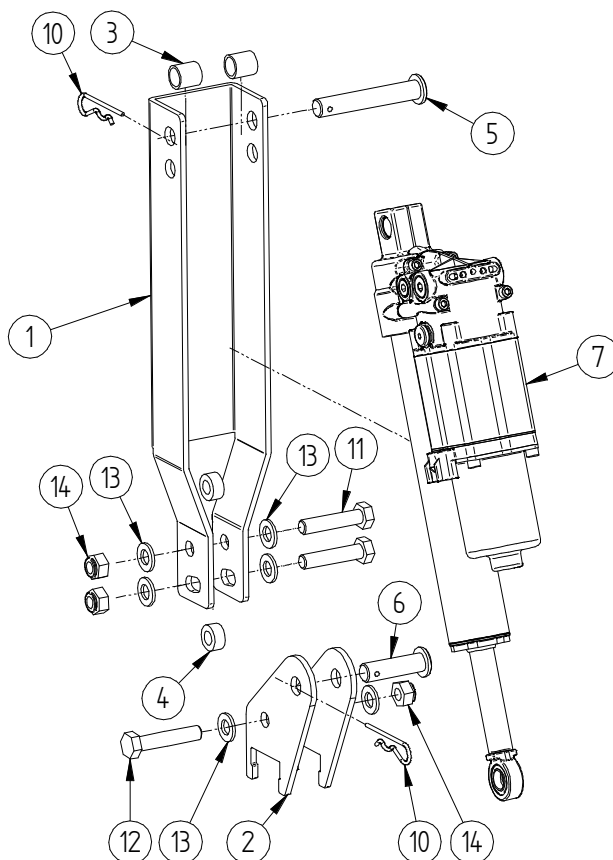


**Keep this manual for future reference!**

If you need any spare parts, please send this packaging data to your local dealer or to Iron Baltic [sales@ironbaltic.com](mailto:sales@ironbaltic.com)

# SPECIFICATION

Pos.	Description	Code	Amount
1	Upper mount	27.9001	1
2	Lower mounting plate	27.9002	2
3	Upper bushing	27.9003	2
4	Bushing	20.103	2
5	Upper pin for cylinder	71.3004	1
6	Lower pin for cylinder	71.3005	1
7	Electro-hydraulic cylinder	70.700	1
8	Wiring kit (1 cylinder)	70.2500	1
9	Cylinder cable extension 1,2 m	70.2750	1
10	Cotterpin 3 DIN11024	OT.07.01.020	2
11	Bolt M12x55 DIN933	OT.02.02.435	2
12	Bolt M12x60 DIN931	OT.02.01.090	1
13	Washer Ø 12 DIN125	OT.04.01.050	6
14	Nyloc nut M12 DIN985	OT.03.02.060	3



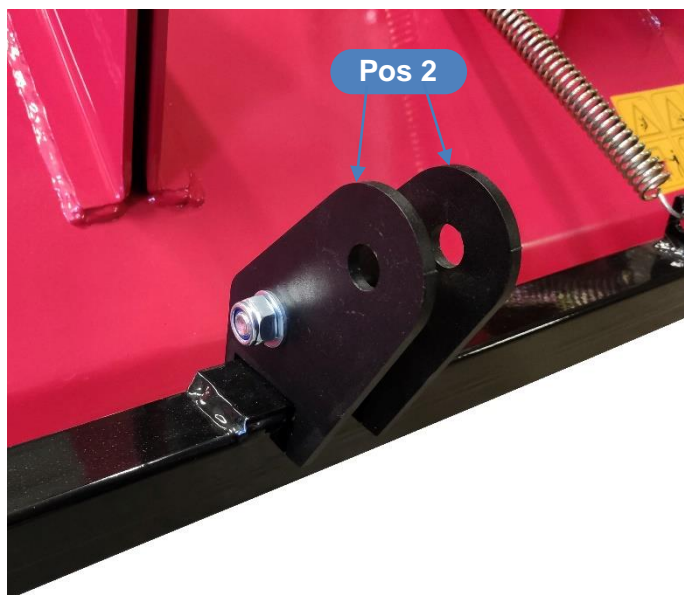
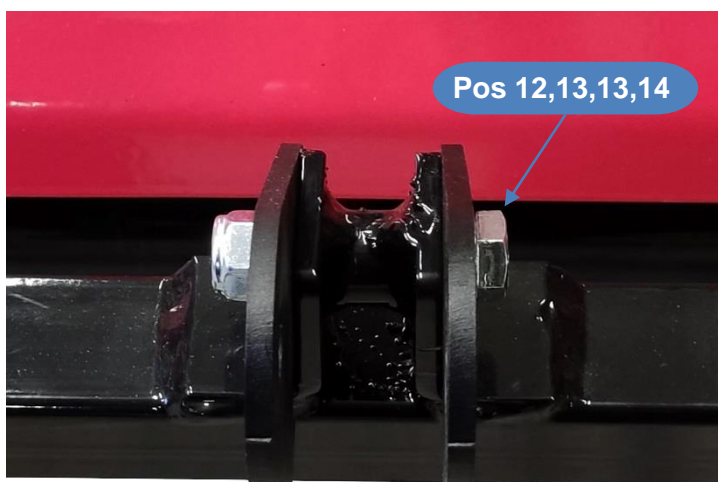
## TOOLS REQUIRED FOR INSTALLATION:

- Spanner 19mm
- Socket wrench 19mm



# FITTING INSTRUCTIONS

**Step 1** Install lower mounting plates (Pos 2). For fastening use M10x60 bolt (Pos. 12), Ø 12 washers (Pos. 13) and M12 nyloc nuts (Pos. 14).



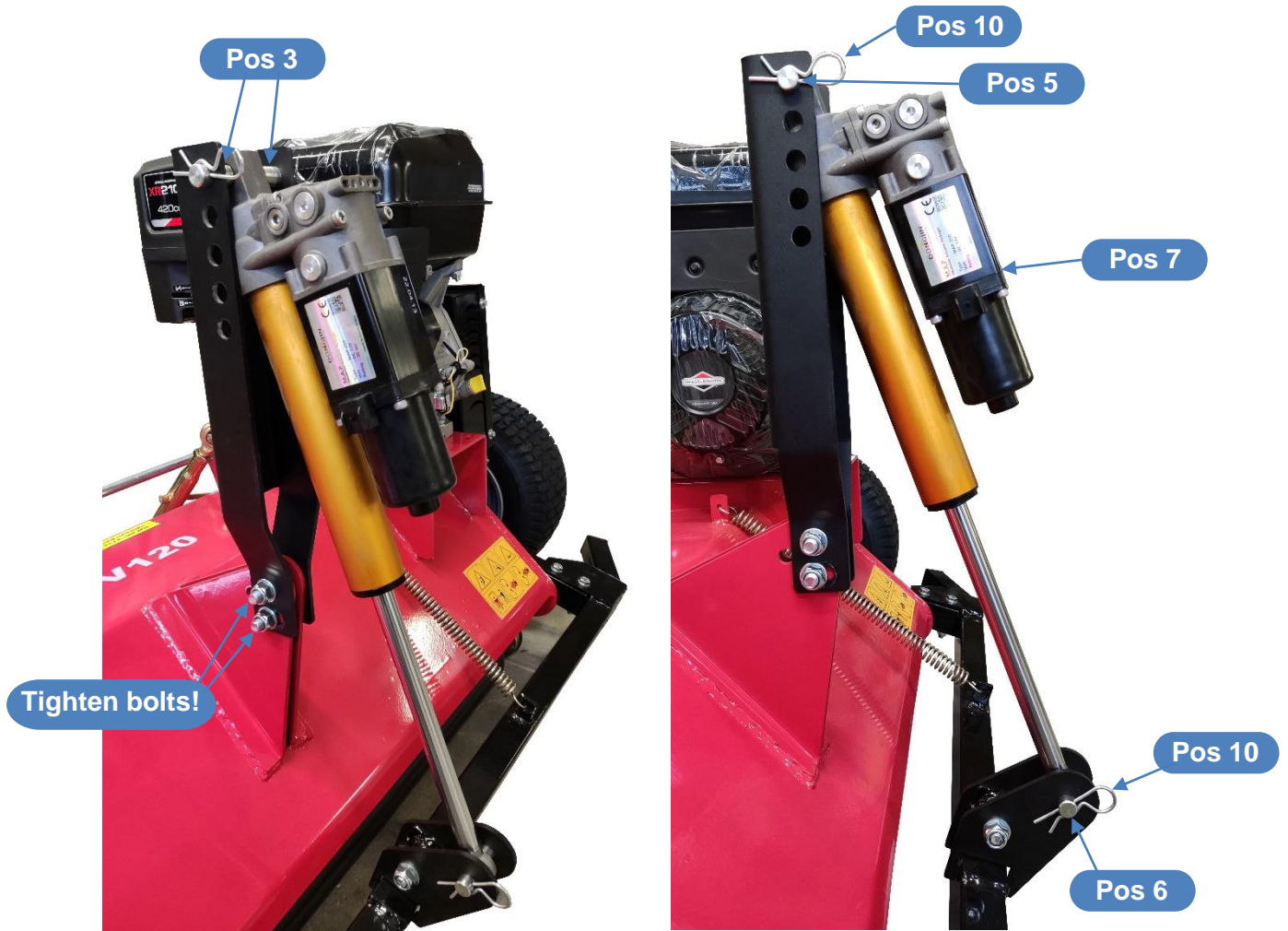
**Step 2** Install upper mount (Pos 1). For fastening use M10x55 bolts (Pos. 11), Ø 12 washers (Pos. 13), bushings (Pos. 4) and M12 nyloc nuts (Pos. 14). **Do not tighten the bolts!**



### Step 3

Install electro-hydraulic cylinder (Pos. 7). To fix the cylinder, use cylinder pins (Pos. 5, Pos. 6) and cotterpins (Pos. 10). When installing upper pin (Pos. 5), also install bushings (Pos. 3), to keep the cylinder centred.

**Upper mount can adjusted slightly to desired lifting height. Tighten upper mount bolts!**



### Step 4

Install cylinder wiring kit to ATV. Refer to installation manual in wiring kit!







# IRON BALTIC

IRON BALTIC OÜ  
Joa tee 17  
Vääna 76903  
Estonia / Europe

+372 6 533 711  
[sales@ironbaltic.com](mailto:sales@ironbaltic.com)

[www.ironbaltic.com](http://www.ironbaltic.com)  
[www.facebook.com/ironbaltic](https://www.facebook.com/ironbaltic)  
[www.youtube.com/user/ironbalticld](https://www.youtube.com/user/ironbalticld)

