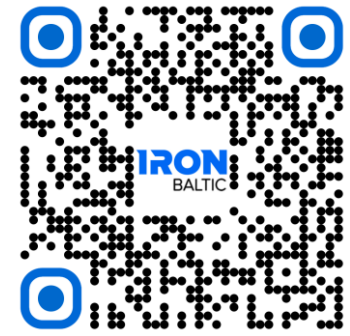


IRON BALTIC

DOWNLOAD MULTILINGUAL
USER MANUAL



code.ironbaltic.com/u/CiZ7FQA5

2" RECEIVER

AODES

Pathcross 650/850/1000

Code 15.2700

Version 07032025



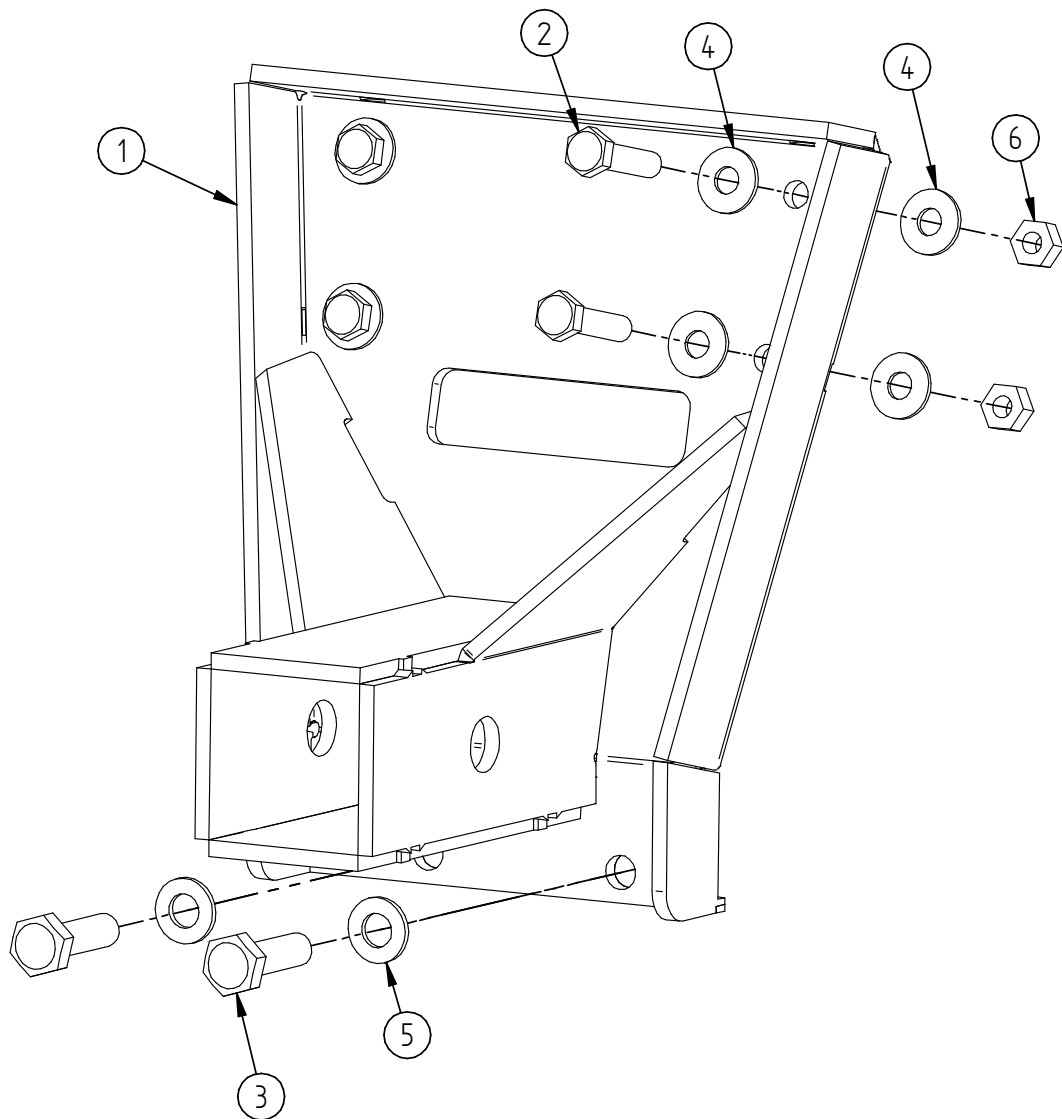
Keep this manual for future reference!

If you need any spare parts, please send this packaging data to your local dealer or to Iron Baltic sales@ironbaltic.com

Iron Baltic Ltd | +372 653 3711 | sales@ironbaltic.com | www.ironbaltic.com

SPECIFICATION

Pos.	Description	Code	Amount
1	2" receiver	15.2701K	1
2	Bolt M8x35 DIN933	OT.02.02.210	4
3	Bolt M10x35 DIN933	OT.02.02.329	2
4	Washer Ø8/20 SFS3738	OT.04.03.030	8
5	Washer Ø10/20 DIN125	OT.04.01.040	2
6	Nyloc nut M8 DIN985	OT.03.02.040	4



* Numbers on drawing correspond to Pos numbers on specification table.



TOOLS REQUIRED FOR INSTALLATION:

- Spanner 10 mm
- Spanner 13 mm
- Socket wrench 10 mm
- Socket wrench 13 mm
- Socket wrench 17 mm
- Socket extension bar

FITTING INSTRUCTIONS



NB!

We recommend using thread lock fluid on the bolts!
Bolts tend to loosen with vibration from ATV.

All pictures in this manual are for illustration purposes only and may differ from real product due to the changes made to the product during improvements!

Step 1

Remove the original license plate holder and hitch, if installed.



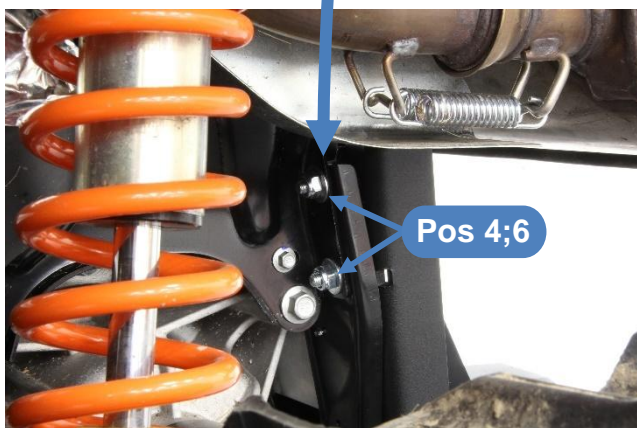
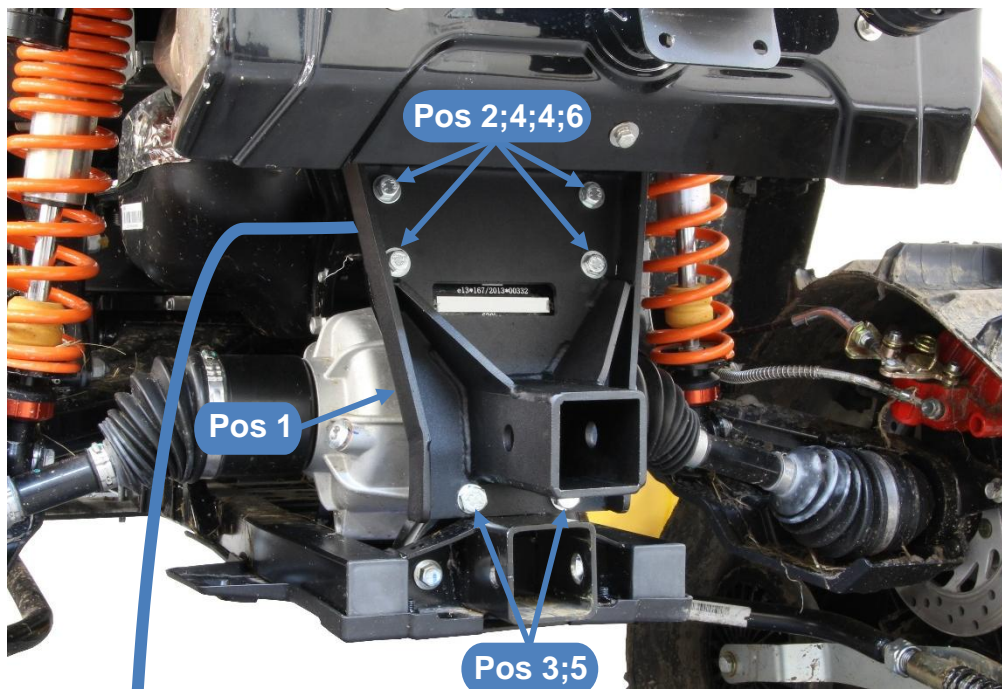
Step 2

Remove the original bolts holding the vehicle identification plate.



Step 3

Place the 2" receiver (Pos.1) on the vehicle identification plate and secure it with the bolts. For fastening use M8x35 bolts (Pos.2), M10x35 bolts (Pos.3), Ø8 mm washers (Pos.4), Ø10 mm washers (Pos.5) and M8 nyloc nuts (Pos.6).



IRON BALTIC

IRON BALTIC OÜ
Joa tee 17
Vääna 76903
Estonia / Europe

+372 6 533 711
sales@ironbaltic.com

www.ironbaltic.com
www.facebook.com/ironbaltic
www.youtube.com/user/ironbalticLtd