

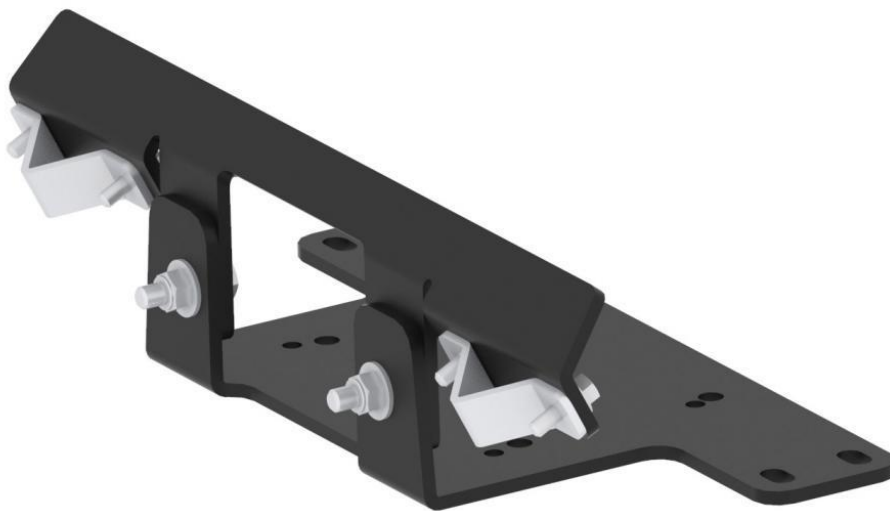
FRONT WINCH MOUNT

LINHAI

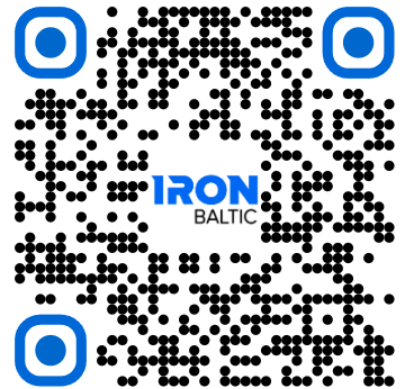
M550 / M550L

Code 05.9500

Version 26112023



DOWNLOAD MULTILINGUAL
USER MANUAL



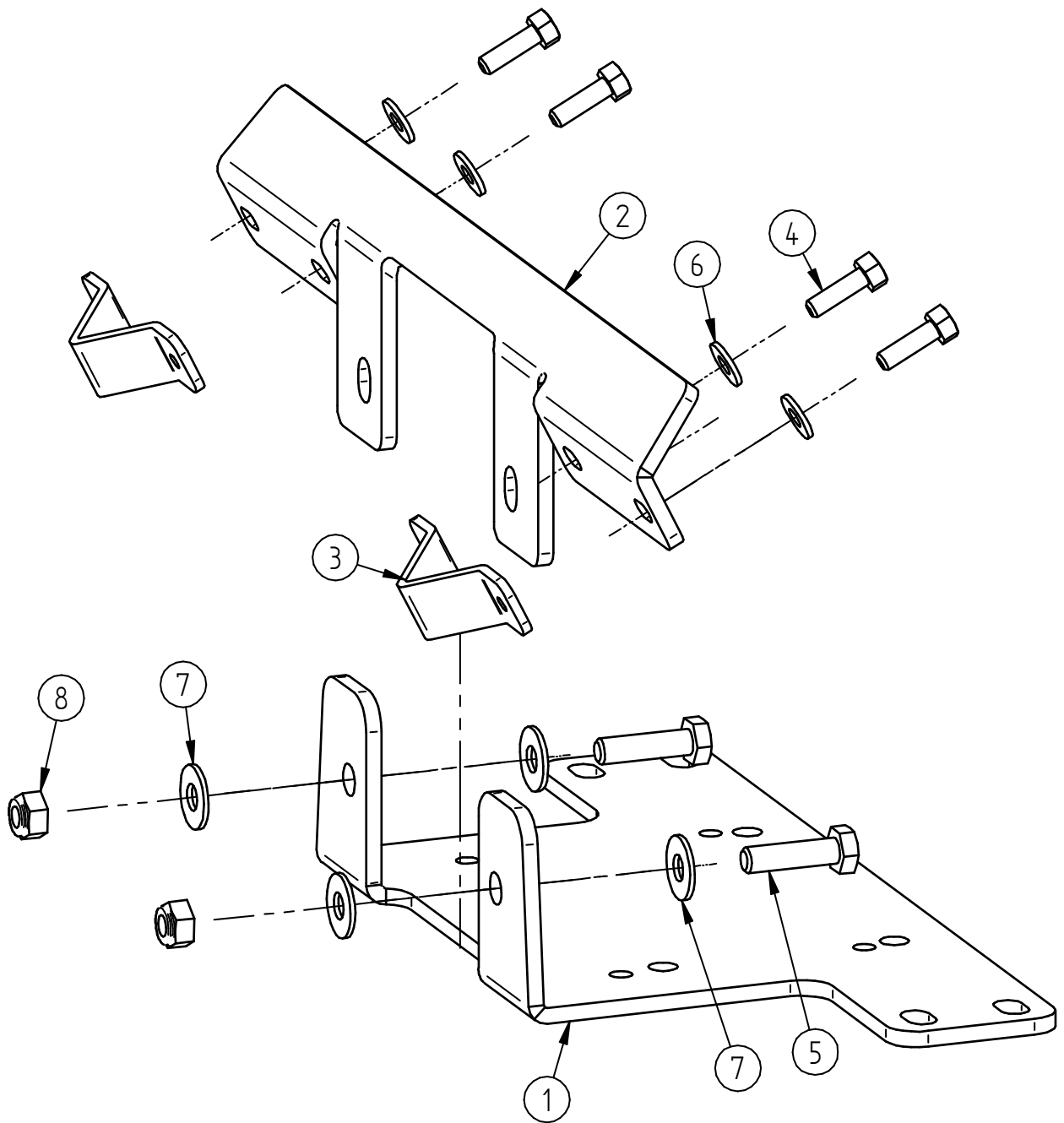
code.ironbaltic.com/u/4zuAVSp5

Keep this manual for future reference!

If you need any spare parts, please send this packaging data to your local dealer or to Iron Baltic
sales@ironbaltic.com

SPECIFICATION

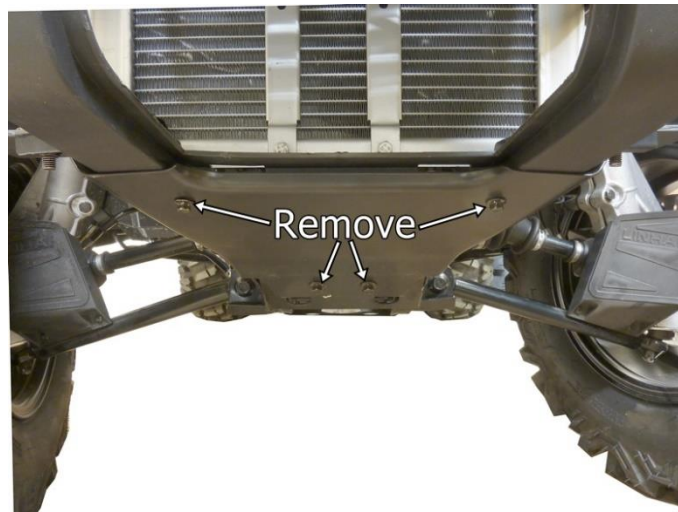
Pos.	Description	Code	Amount
1	Winch adapter	05.9501	1
2	Fairlead support	05.9502	1
3	Installation bracket	02.4606	2
4	Bolt M6x20 DIN933	OT.02.02.060	4
5	Bolt M8x30 DIN933	OT.02.02.200	2
6	Washer Ø6/15 SFS3738	OT.04.03.020	4
7	Washer Ø8/20 SFS3738	OT.04.03.030	4
8	Nyloc nut M8 DIN985	OT.03.02.040	2



FITTING INSTRUCTIONS

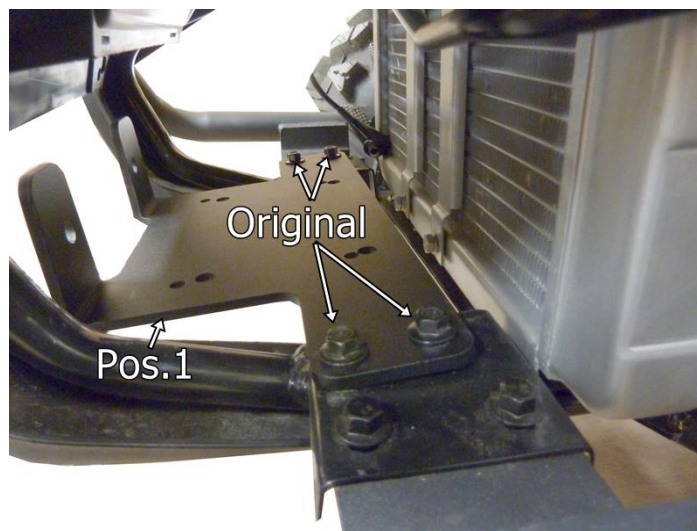
Step 1

Remove original winch adapter.
For easier installation, remove protective plate in front of the ATV.



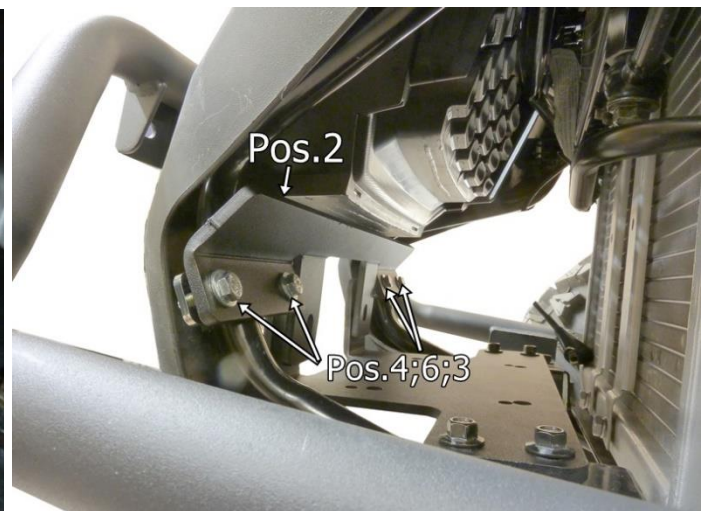
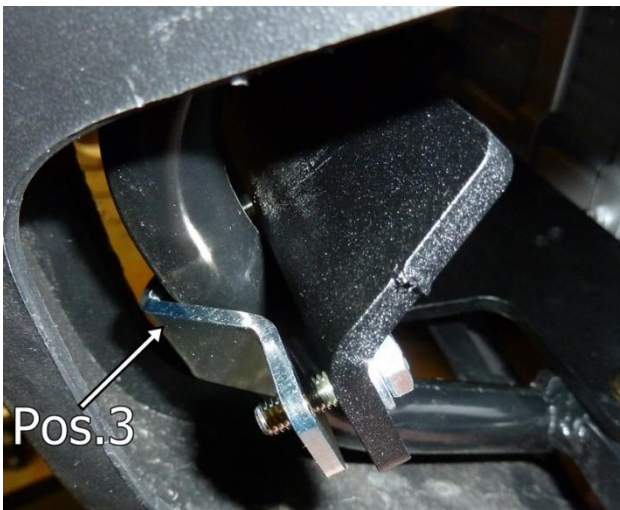
Step 2

Install the winch adapter. Use original bolts. NB! Do NOT tighten bolts!



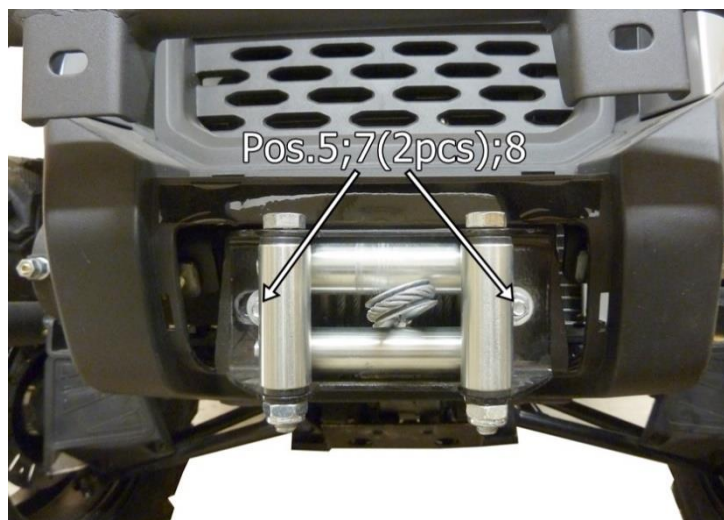
Step 3

Install fairlead support. NB! Do NOT tighten bolts!



Step 4

Install fairlead and after that tighten all bolts/nuts installed before.



Step 5

Install winch, it's easier to install the winch from right side.



Step 6

Reinstall protective plate back in front of the ATV.



IRON BALTIC

IRON BALTIC OÜ
Joa tee 17
Vääna 76903
Estonia / Europe

+372 6 533 711
sales@ironbaltic.com

www.ironbaltic.com
www.facebook.com/ironbaltic
www.youtube.com/user/ironbalticLtd

