

IRON BALTIC

REAR WINCH MOUNTING KIT

GOES

Iron / Cobalt (MAX)

Code 05.7200

Version 24112023



DOWNLOAD MULTILINGUAL
USER MANUAL



code.ironbaltic.com/u/9buBgiDm

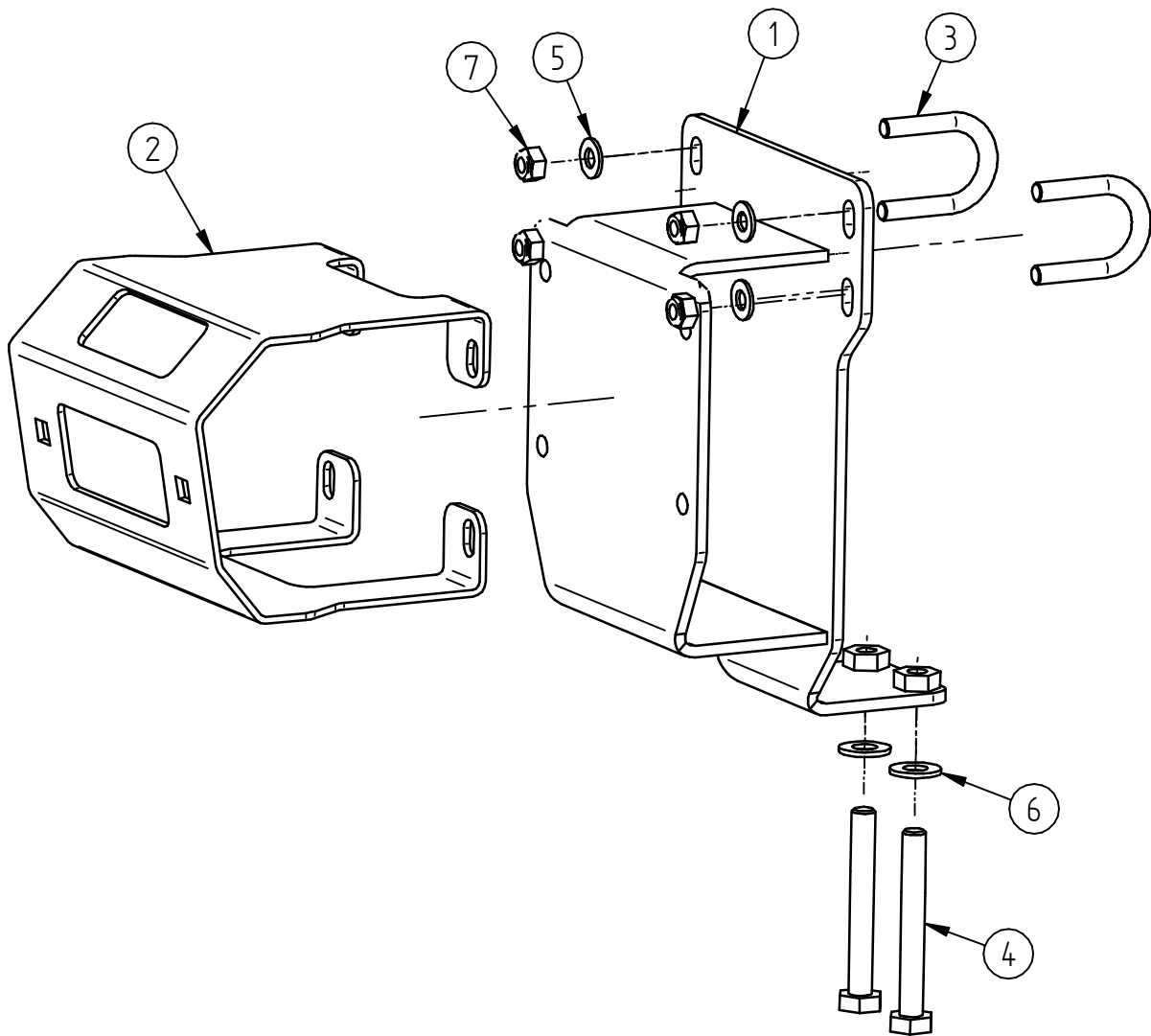
Keep this manual for future reference!

If you need any spare parts, please send this packaging data to your local dealer or to Iron Baltic sales@ironbaltic.com

Iron Baltic Ltd | +372 653 3711 | sales@ironbaltic.com | www.ironbaltic.com

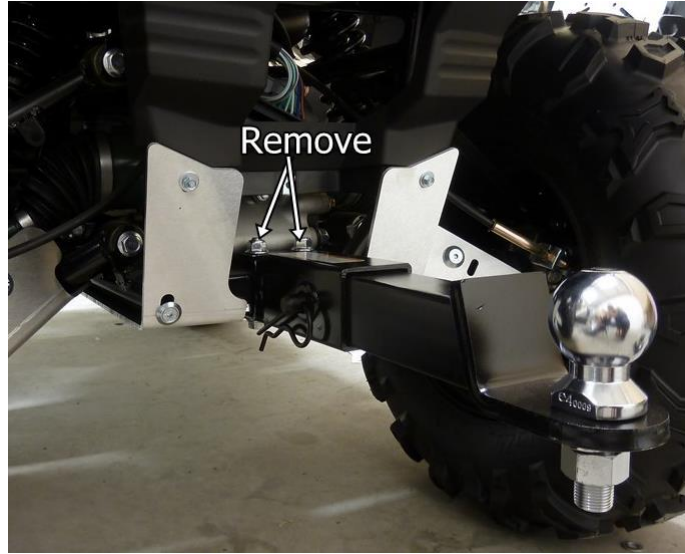
SPECIFICATION

Pos.	Description	Code	Amount
1	Adapter	05.7201K	1
2	Fairlead mount	05.1202	1
3	Pipe clamp M8x28	OT.05.01.010	2
4	Bolt M10x80 DIN 931	OT.02.01.048	2
5	Washer 8/20 SFS3738	OT.04.03.030	4
6	Washer 10/20 DIN125	OT.04.01.040	2
7	Nut M8 Nyloc DIN 985	OT.03.02.040	4

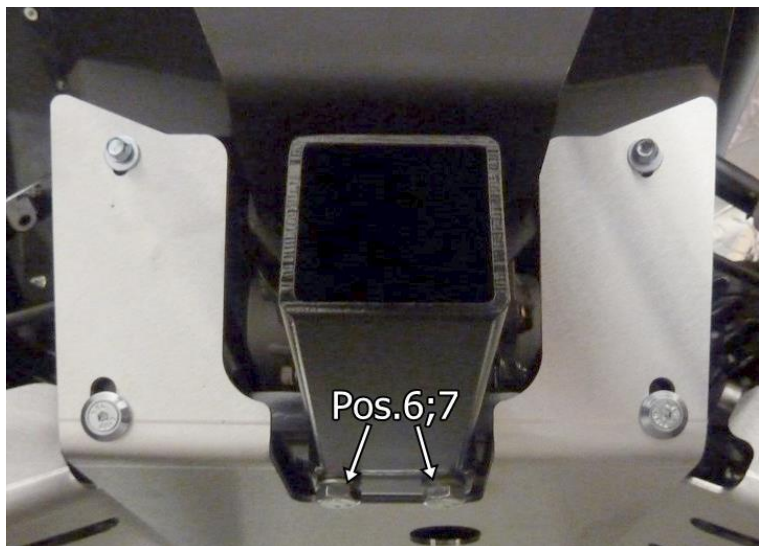
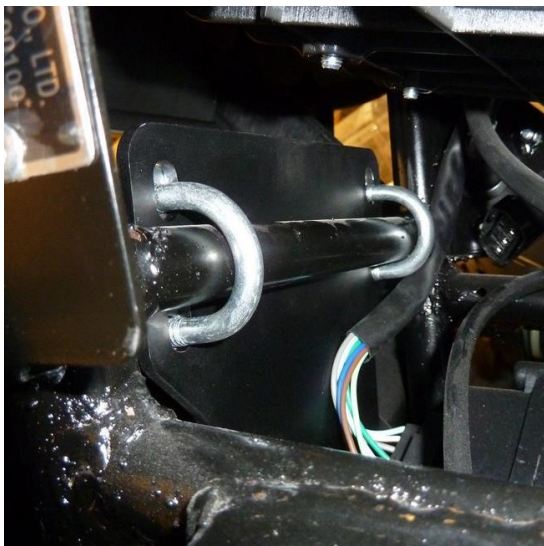
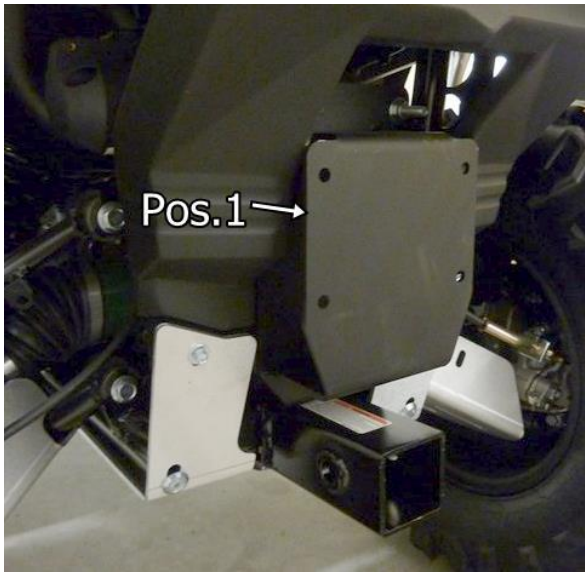


FITTING INSTRUCTIONS

Step 1 Remove original hitch extension bolts.



Step 2 Install winch adapter.



Step 3

Install winch fairlead



Step 4

Install winch with fairlead holder to winch adapter.



IRON BALTIC

IRON BALTIC OÜ
Joa tee 17
Vääna 76903
Estonia / Europe

+372 6 533 711
sales@ironbaltic.com

www.ironbaltic.com
www.facebook.com/ironbaltic
www.youtube.com/user/ironbalticLtd

