



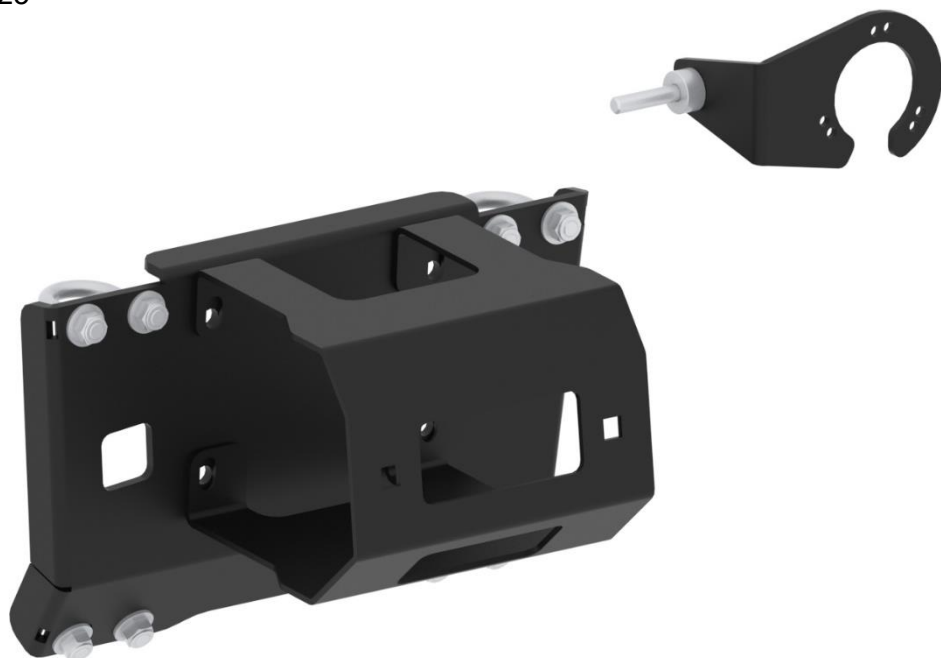
## REAR WINCH MOUNT

# AODES

## Pathcross 525L

Code 05.12400

Version 31082025

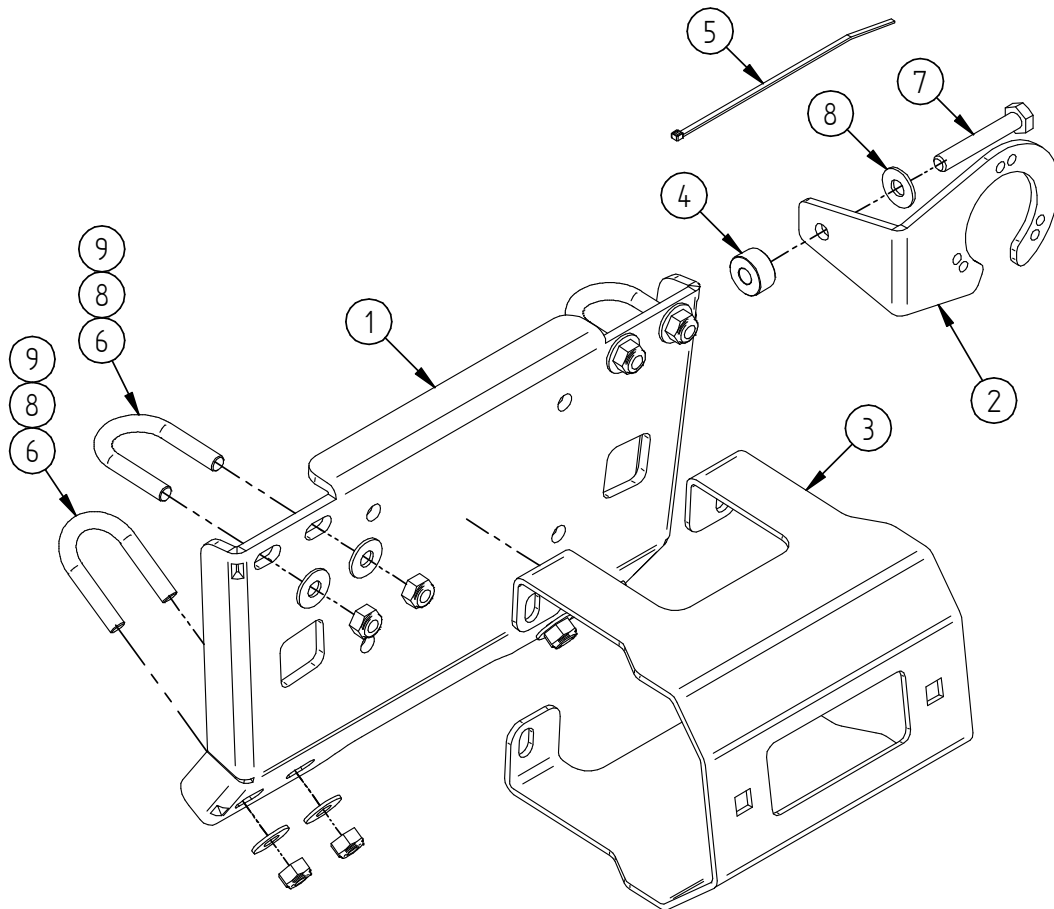


**Keep this manual for future reference!**

If you need any spare parts, please send this packaging data to your local dealer or to Iron Baltic  
[sales@ironbaltic.com](mailto:sales@ironbaltic.com)

# SPECIFICATION

Pos.	Description	Code	Amount
1	Adapter	05.12401	1
2	Trailer connector plate	05.10903	1
3	Fairlead holder	05.1202	1
4	Bushing	05.7102	1
5	Cable tie 3,6x140	PM.11.00.008	1
6	U-bolt M8x26	OT.05.01.005	4
7	Bolt M8x50 DIN933	OT.02.02.240	1
8	Washer Ø8/20 SFS3738	OT.04.03.030	9
9	Nyloc nut M8 DIN985	OT.03.02.040	8



\* Numbers on drawing correspond to Pos numbers on specification table.



## TOOLS REQUIRED FOR INSTALLATION:

- Side cutter
- Torx key T30
- Phillips screwdriver (PH2)
- Spanner 10 mm
- Spanner 13 mm
- Socket wrench 8 mm
- Socket wrench 10 mm
- Socket wrench 13 mm

# FITTING INSTRUCTIONS



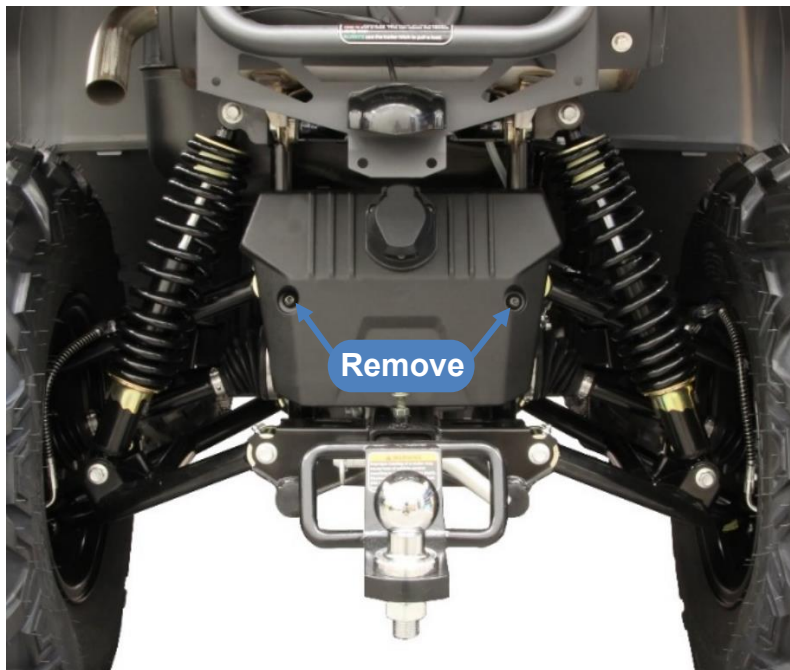
## NB!

**We recommend using thread lock fluid on the bolts!  
Bolts tend to loosen with vibration from ATV.**

**All pictures in this manual are for illustration purposes only and may differ from real product due to the changes made to the product during improvements!**

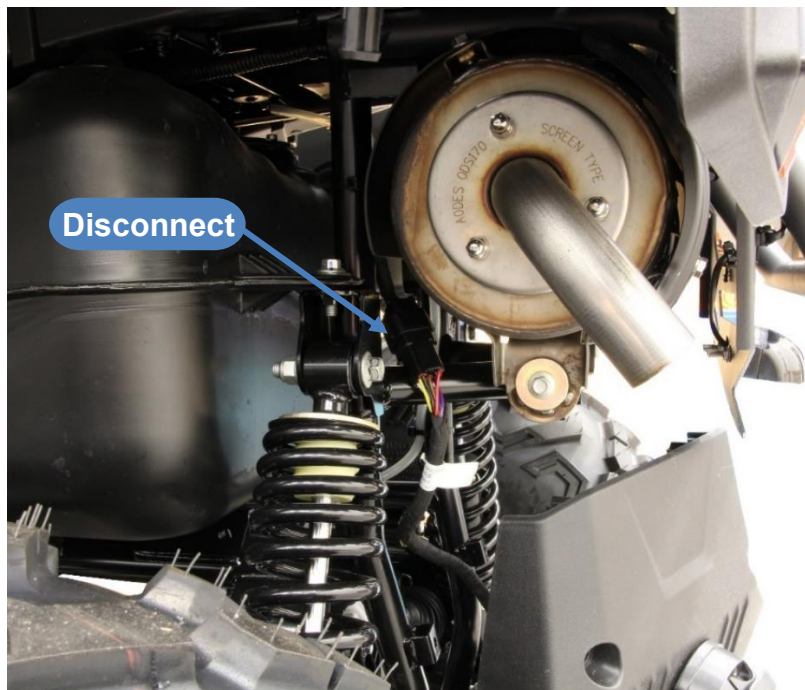
## Step 1

Remove the original bolts and pull the plastic cover off.



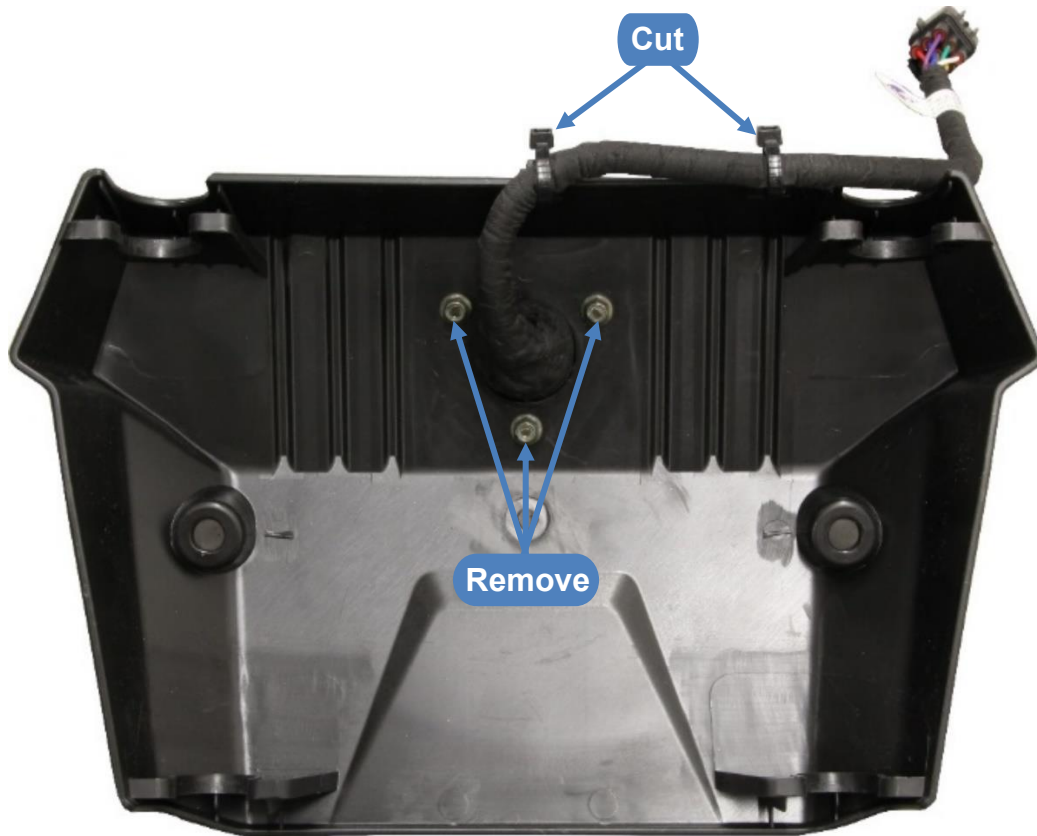
## Step 2

Disconnect the trailer socket plug.



### Step 3

Cut the cable ties from the plastic cover and remove the nuts that hold the trailer socket in place.



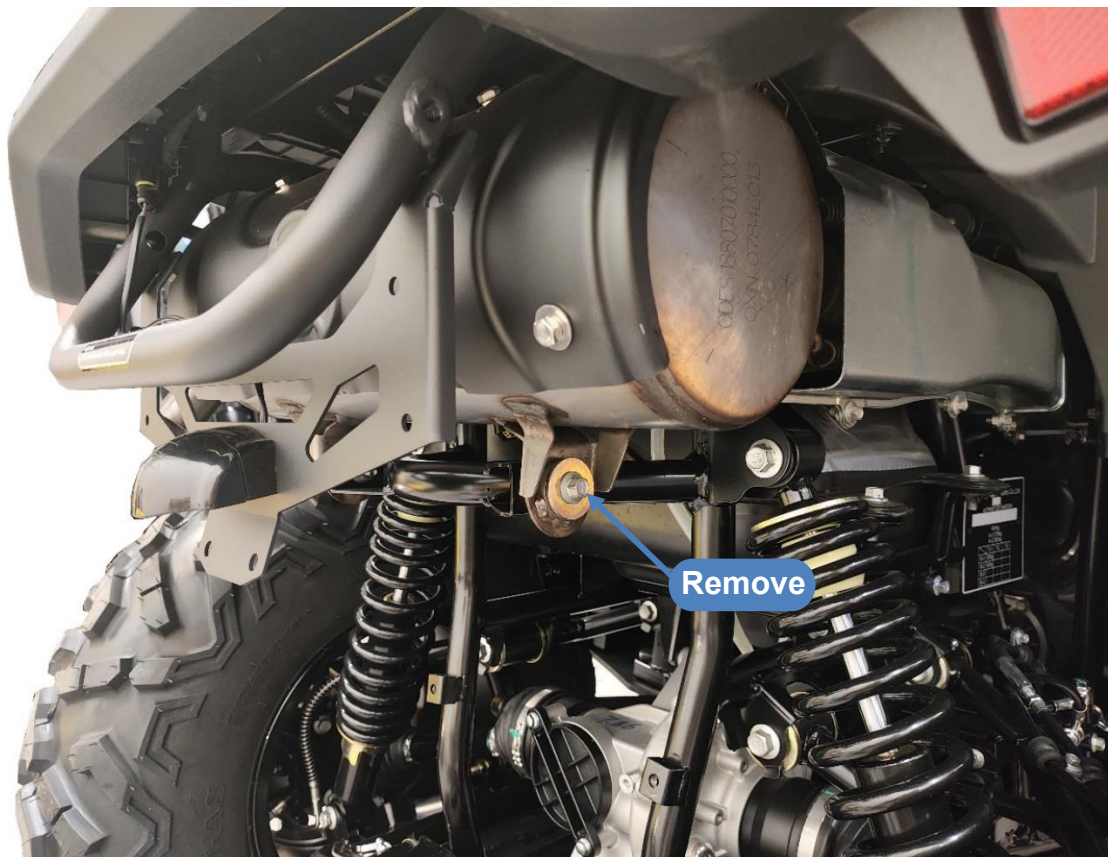
### Step 4

Install trailer socket to connector plate (Pos.2). For fastening use original screws and nuts.



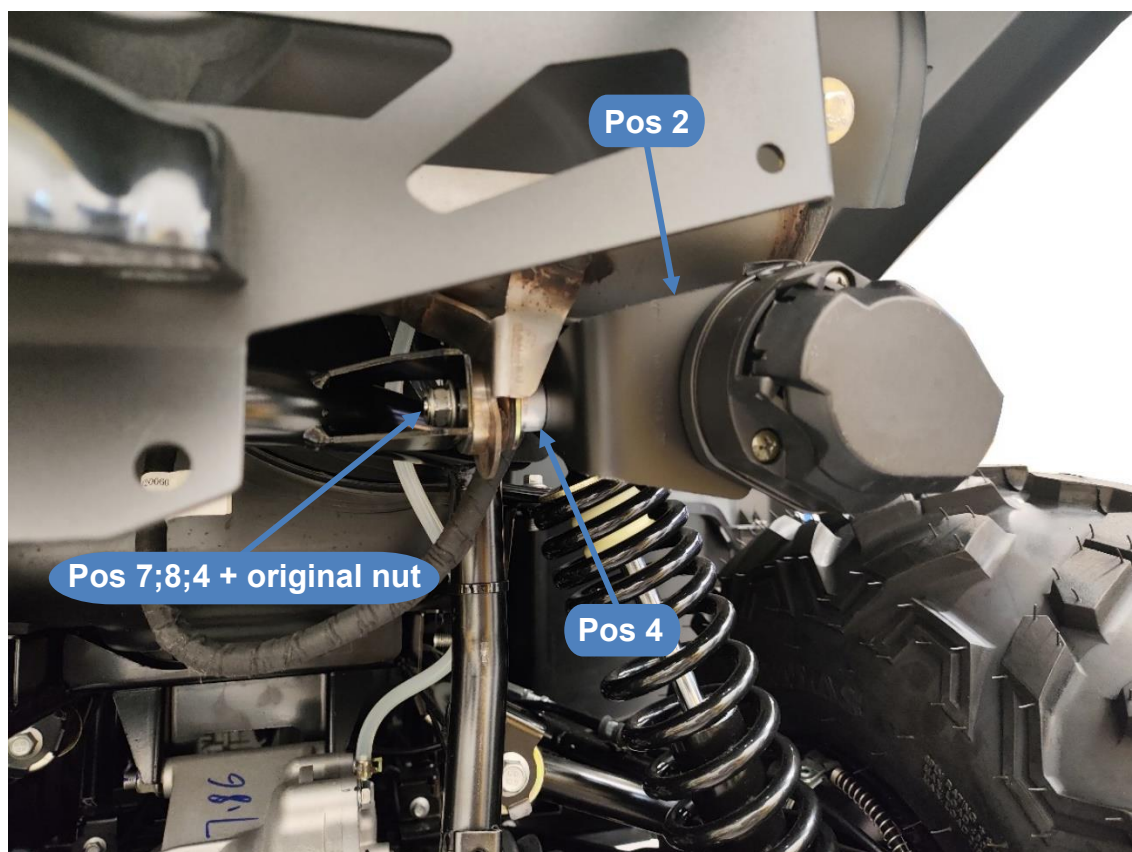
## Step 5

Remove the original bolt from the muffler bracket.



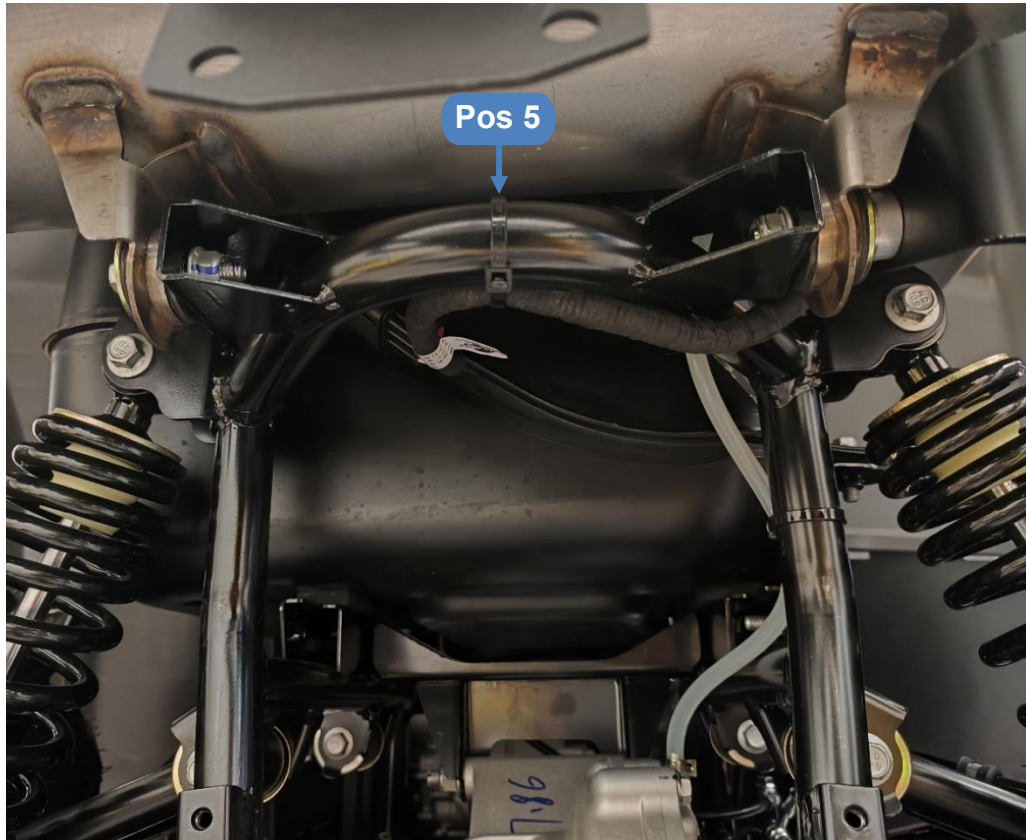
## Step 6

Install trailer connector plate (Pos.2) to the ATV. For fastening use M8x50 bolt (Pos.7), Ø8 mm washer (Pos.8), Ø20 mm bushing (Pos.4) and original nut.



### Step 7

Secure the trailer plug wire to the frame pipe with a cable tie (Pos.5) and reconnect the plug.



### Step 8

Install fairlead to fairlead holder (Pos.3). Use bolts and nuts supplied with the winch. Next place winch into the fairlead holder.



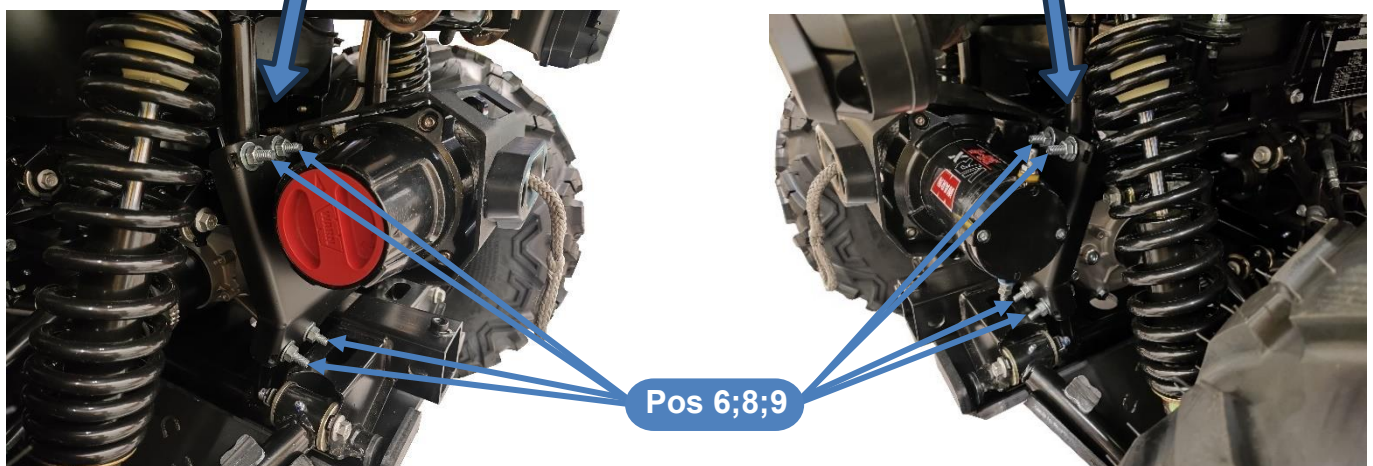
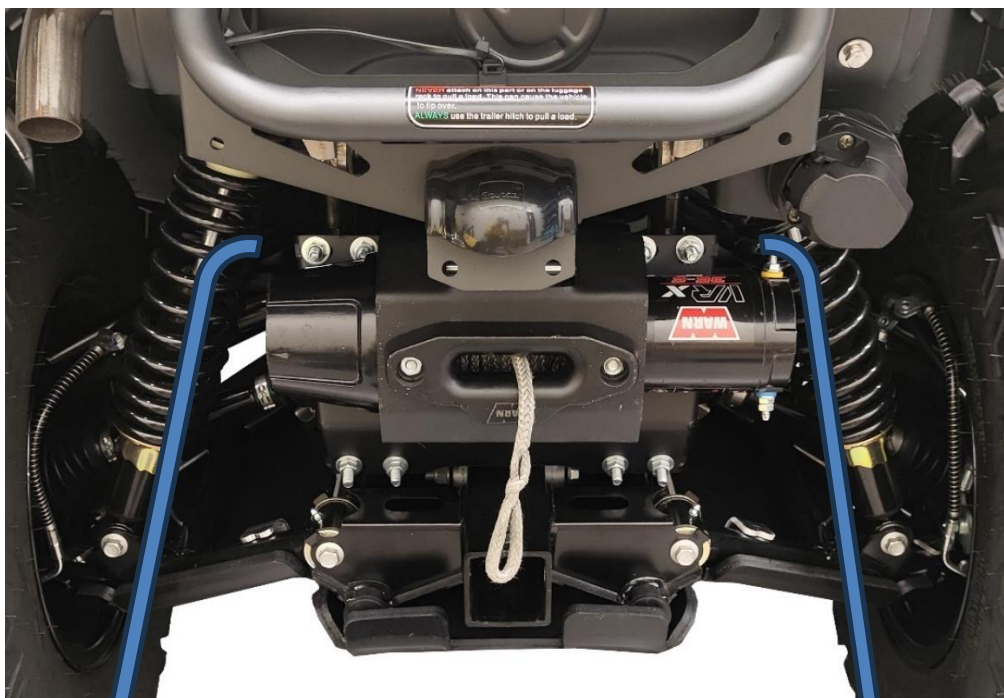
### Step 9

Install winch together with the fairlead holder to the adapter (Pos.1). Use bolts supplied with winch.



### Step 10

Attach the winch adapter with the winch to the ATV frame. For fastening use M8x26 U-bolts (Pos.6), Ø8 mm washers (Pos.8) and M8 nyloc nuts (Pos.9).



# IRON BALTIC

IRON BALTIC OÜ  
Joa tee 17  
Vääna 76903  
Estonia / Europe

+372 6 533 711  
[sales@ironbaltic.com](mailto:sales@ironbaltic.com)

[www.ironbaltic.com](http://www.ironbaltic.com)  
[www.facebook.com/ironbaltic](https://www.facebook.com/ironbaltic)  
[www.youtube.com/user/ironbalticLtd](https://www.youtube.com/user/ironbalticLtd)