

IRON BALTIC

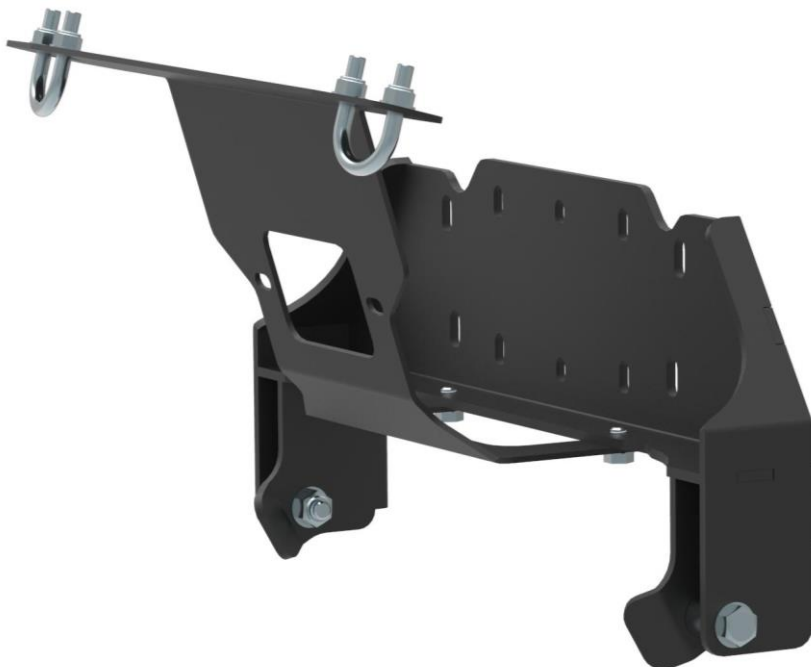
SNOW PLOW MOUNTING KIT

GOES

520 / 525 / 625 / Iron / Cobalt

Code 03.6800

Version 08112023



Keep this manual for future reference!

If you need any spare parts, please send this packaging data to your local dealer or to Iron Baltic
sales@ironbaltic.com

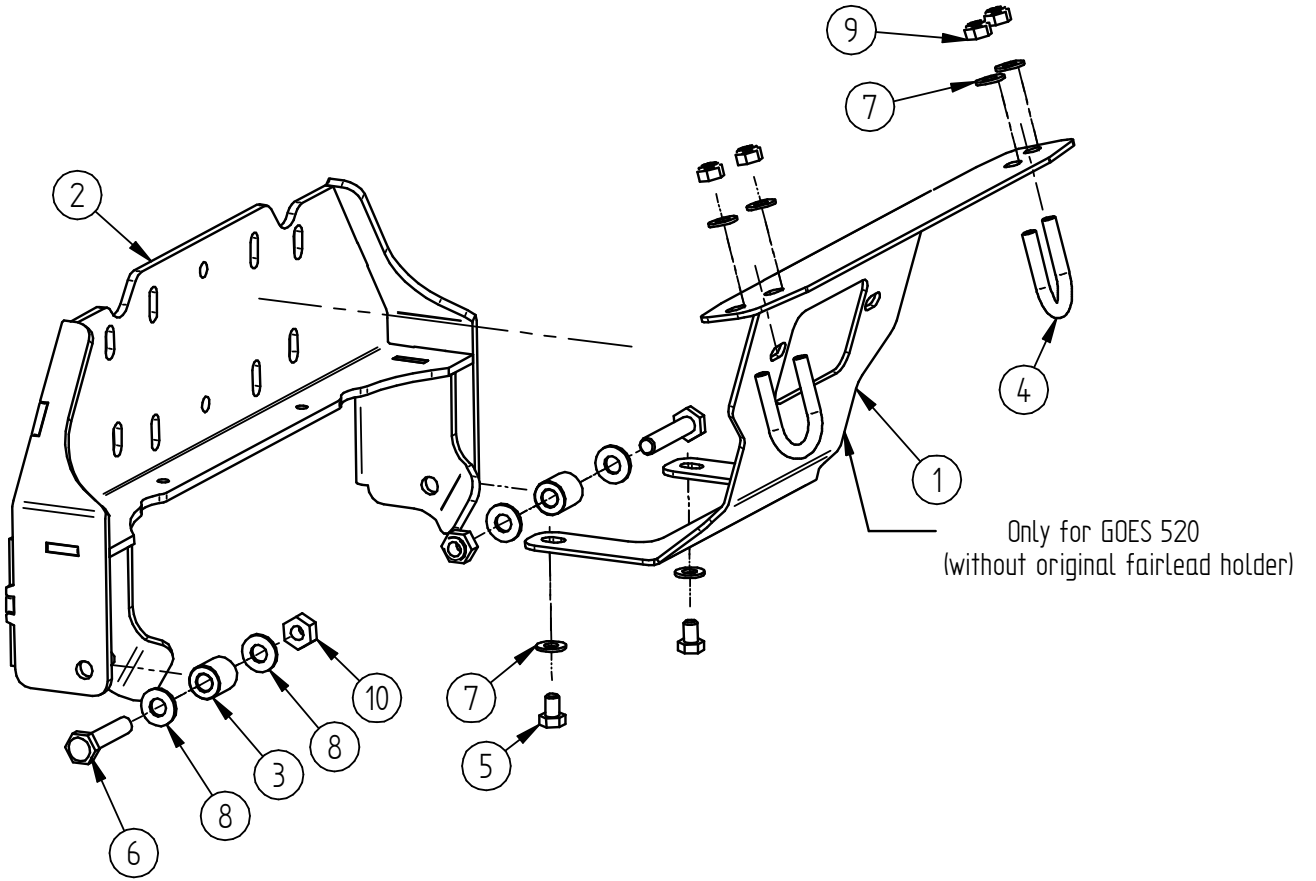
DOWNLOAD MULTILINGUAL
USER MANUAL



code.ironbaltic.com/u/tyGn5iUw

SPECIFICATION

Pos.	Description	Code	Amount
1	Fairlead holder	03.6801	1
2	Adapter	03.6701K	1
3	Bush	03.5906	2
4	Pipe clamp M8x28	OT.05.01.010	2
5	Bolt M8x12 DIN933	OT.02.02.168	2
6	Bolt M10x50 DIN933	OT.02.02.340	2
7	Washer 8/20 SFS3738	OT.04.03.030	6
8	Washer 10/20 DIN125	OT.04.01.040	4
9	Nut M8 Nyloc DIN985	OT.03.02.040	4
10	Nut M10 Nyloc DIN985	OT.03.02.050	2



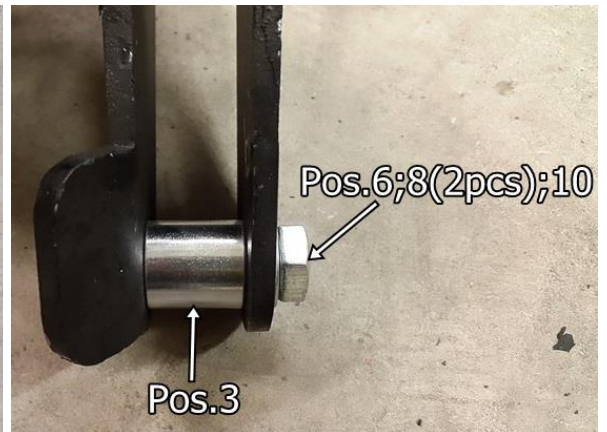
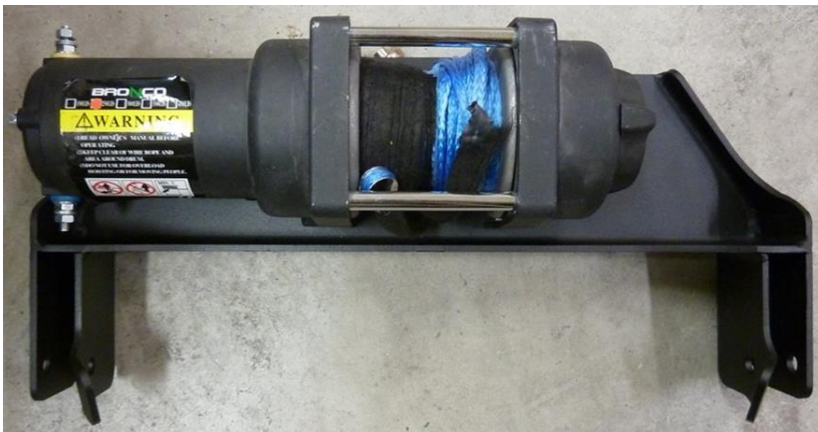
FITTING INSTRUCTIONS

Goes 520

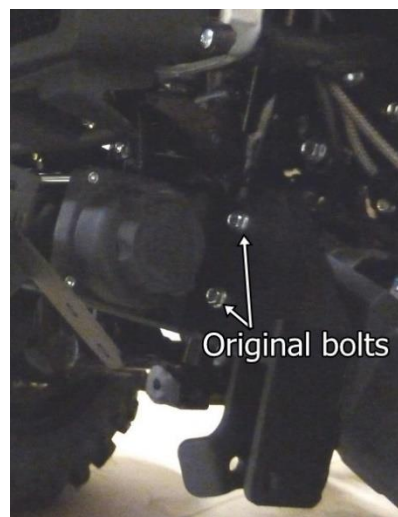
Step 1 Remove original winch adapter and front bumper four bolts.



Step 2 Install winch to the adapter and bushes 03.5906 to the adapter.

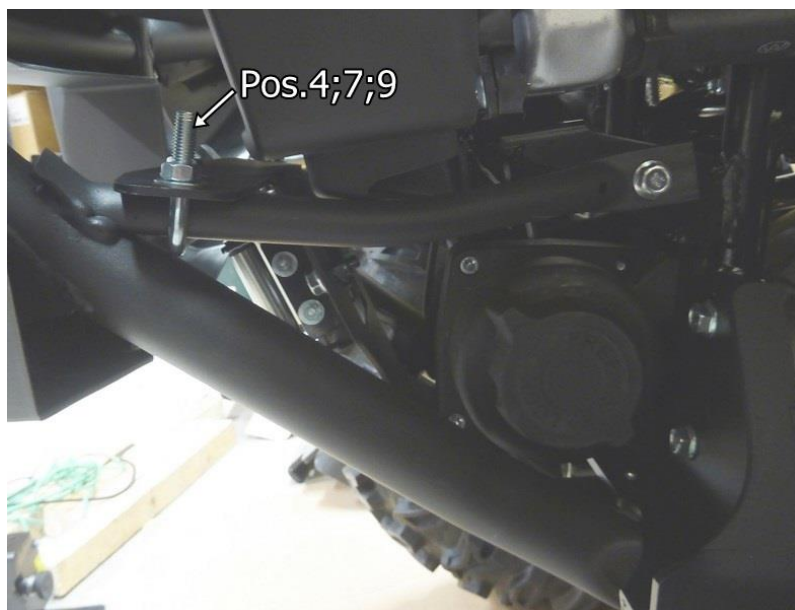
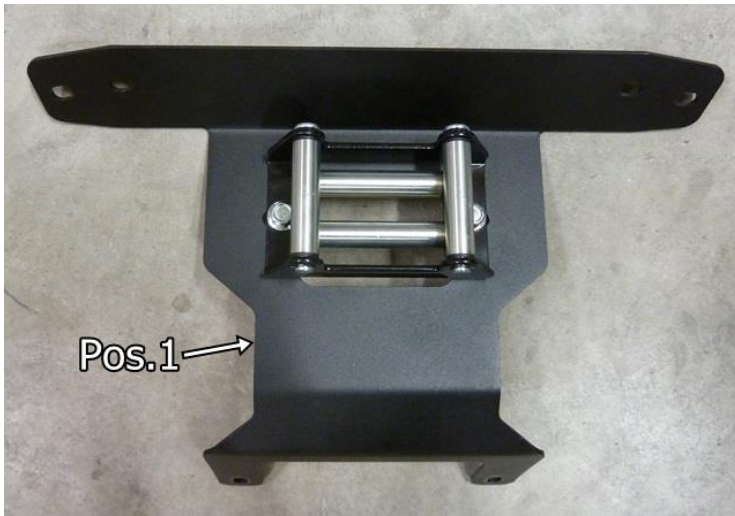


Step 3 Install adapter to the ATV. Use original bolts.
To ease the installation, pull the front bumper forward.



Step 4

Install fairlead to the fairlead holder and fairlead holder to the ATV. For easier installation, pull the front bumper forward. The fairlead holder should be inserted diagonally. Before securing the fairlead holder, attach the front bumper.



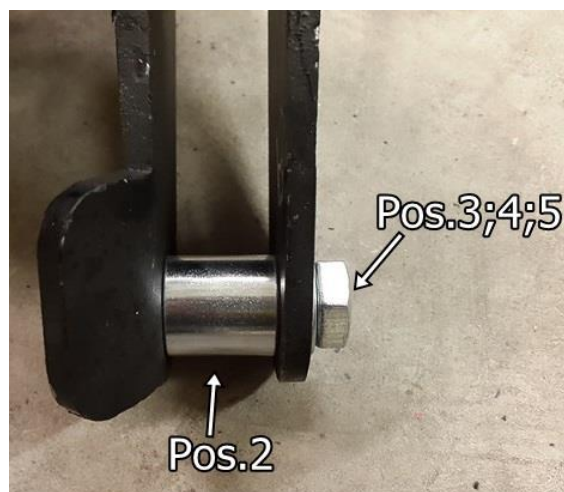
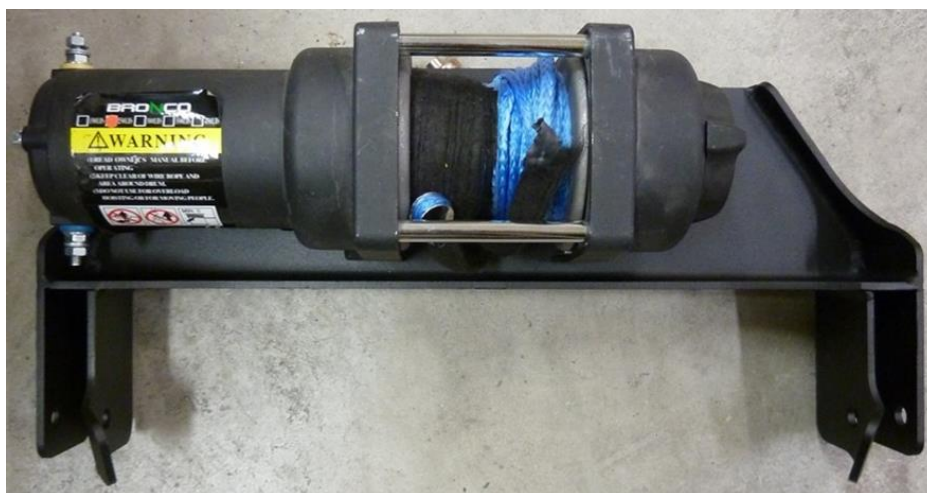
FITTING INSTRUCTIONS

Goes 525 / 625 / Cobalt / Iron

Step 1 Remove original winch adapter and front bumper four bolts.

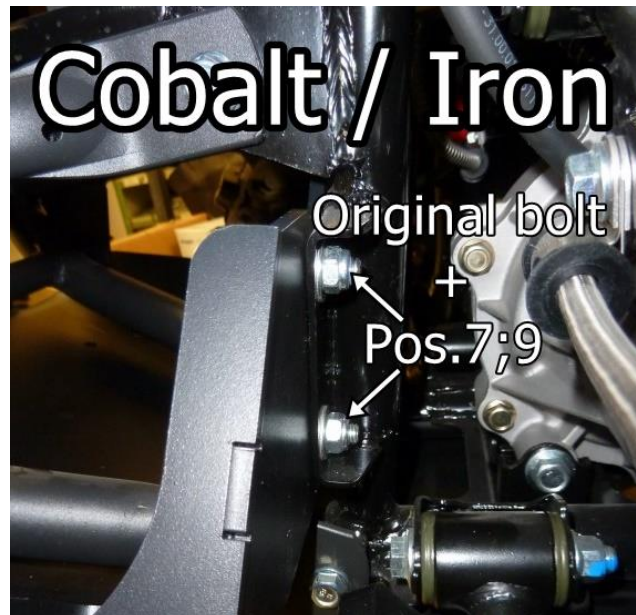


Step 2 Install winch to the adapter and bushes 03.5906 to the adapter.



Step 3

Install adapter to the ATV and secure front bumper bolts. Use original bolts. To ease the installation, pull away the front bumper. On Cobalt/Iron models use also washers and nuts to install the adapter.



IRON BALTIC

IRON BALTIC OÜ
Joa tee 17
Vääna 76903
Estonia / Europe

+372 6 533 711
sales@ironbaltic.com

www.ironbaltic.com
www.facebook.com/ironbaltic
www.youtube.com/user/ironbalticLtd

