

IRON BALTIC

MID-MOUNT ADAPTER

ACCESS

AX 600 / 700 / 800

Code 03.4400

Version 04112023



Keep this manual for future reference!

If you need any spare parts, please send this packaging data to your local dealer or to Iron Baltic sales@ironbaltic.com

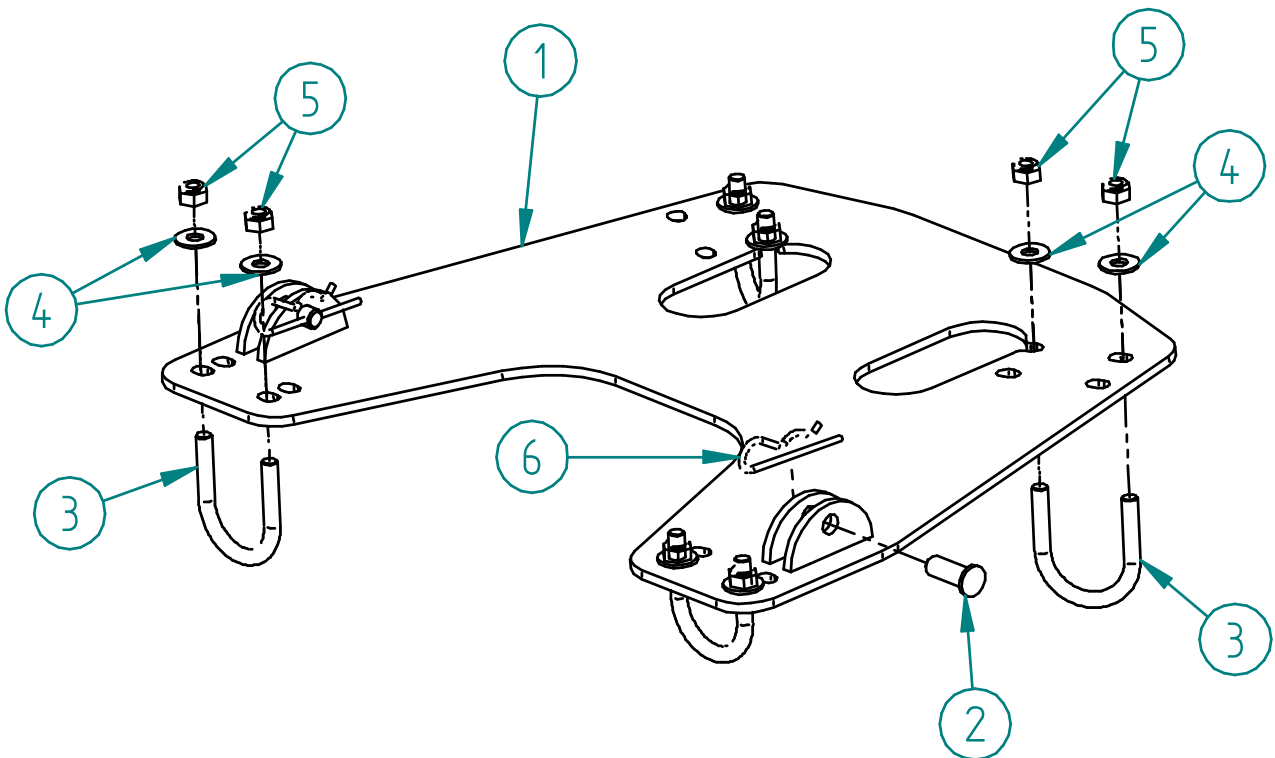
DOWNLOAD MULTILINGUAL
USER MANUAL



code.ironbaltic.com/u/2R9yosL1

SPECIFICATION

Pos.	Description	Code	Amount
1	Snow plow adapter	03.4401K	1
2	Pin 10 x 40	14.003	2
3	Pipe clamp M8 x 38	OT.05.01.030	4
4	Washer 8/20 SFS3738	OT.04.03.030	8
5	Nut M8 Nyloc DIN985	OT.03.02.040	8
6	Cotter pin 2 mm DIN11024	OT.07.01.010	2



FITTING INSTRUCTIONS

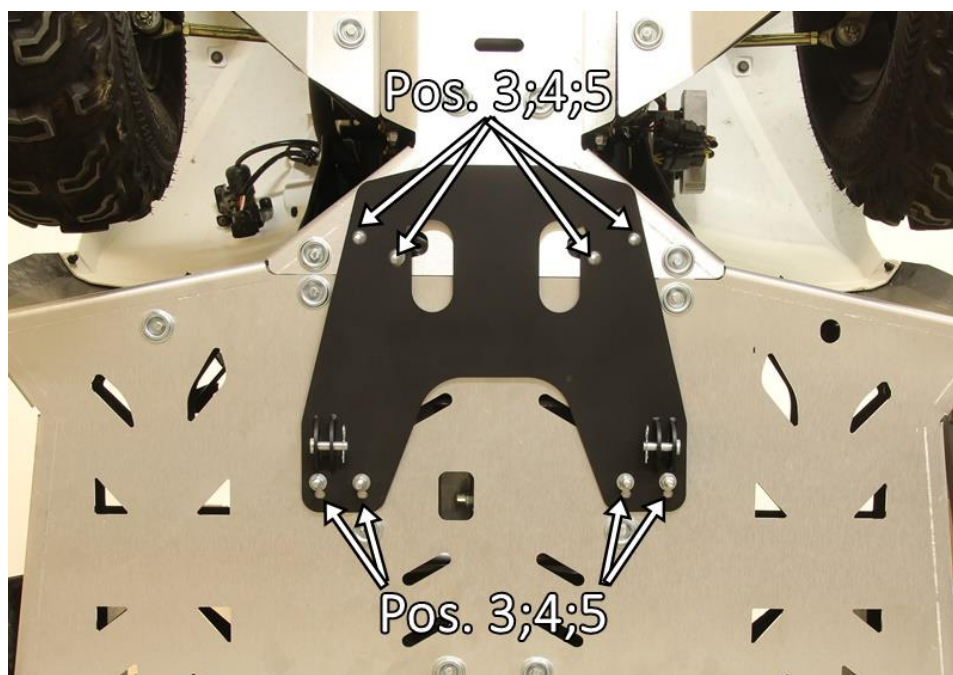
Step 1

When installing with Iron Baltic skid plate, remove skid plate front part to place the pipe clamps (Pos 3). For the Access 600, remove also bolts shown with the arrow.



Step 2

Install plow adapter.



IRON BALTIC

IRON BALTIC OÜ
Joa tee 17
Vääna 76903
Estonia / Europe

+372 6 533 711
sales@ironbaltic.com

www.ironbaltic.com
www.facebook.com/ironbaltic
www.youtube.com/user/ironbalticLtd

