



DOWNLOAD MULTILINGUAL
USER MANUAL



code.ironbaltic.com/u/47UJPBJ4

MID-MOUNT ADAPTER

AODES

Pathcross 525L

Code 03.17200

Version 29082025

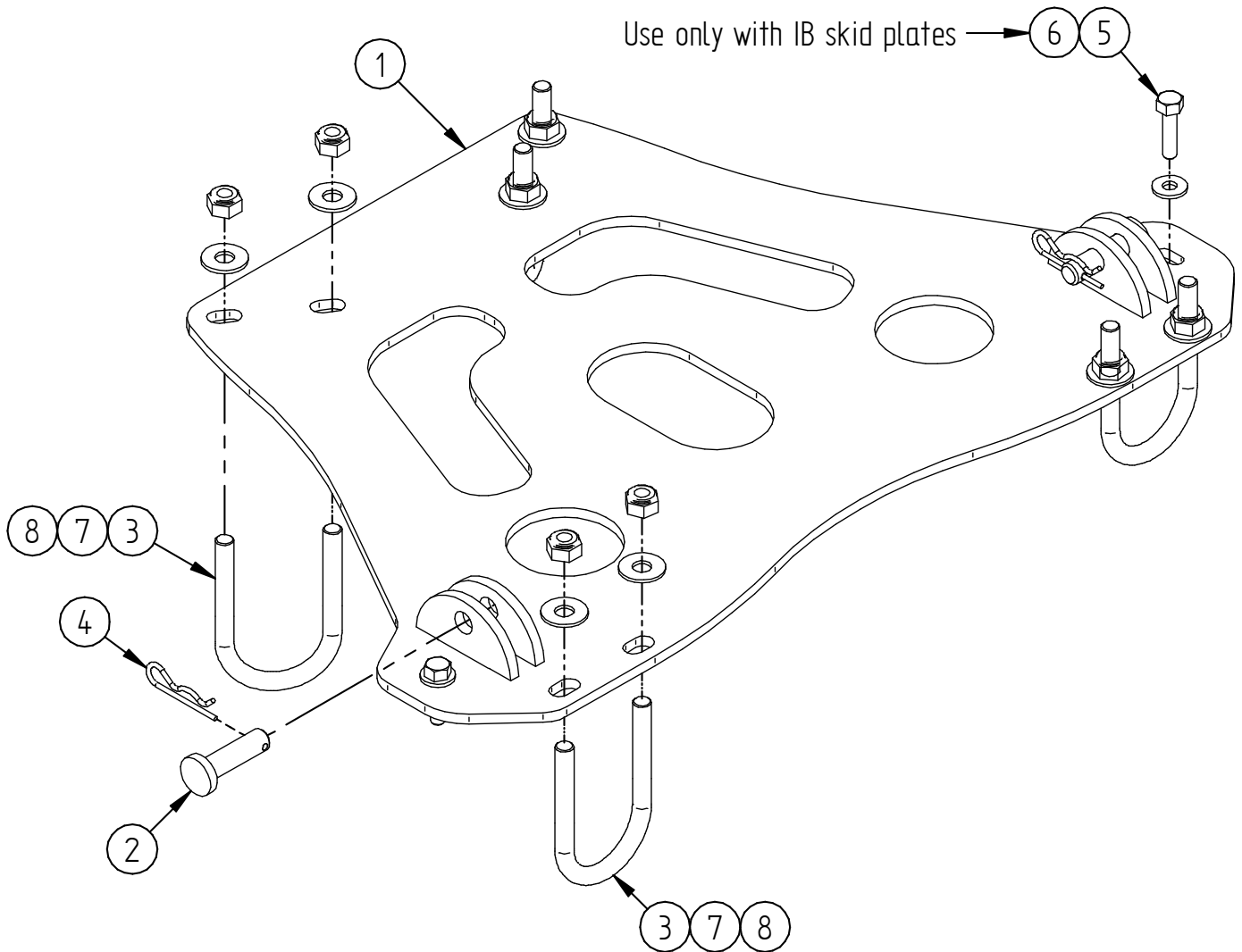


Keep this manual for future reference!

If you need any spare parts, please send this packaging data to your local dealer or to Iron Baltic
sales@ironbaltic.com

SPECIFICATION

Pos.	Description	Code	Amount
1	Adapter	03.17201K	1
2	Pin 10x40 DIN1444	14.003	2
3	U-bolt M8x38	14.009	4
4	Cotter pin 2 mm DIN11024	OT.07.01.010	2
5	Bolt M6x25 DIN933	OT.02.02.070	2
6	Washer Ø6/15 SFS3738	OT.04.03.020	2
7	Washer Ø8/20 SFS3738	OT.04.03.030	8
8	Nyloc nut M8 DIN985	OT.03.02.040	8



* Numbers on drawing correspond to Pos numbers on specification table.



TOOLS REQUIRED FOR INSTALLATION:

- Torx key T30
- Spanner 10 mm
- Spanner 13 mm
- Socket wrench 10 mm
- Socket wrench 13 mm

FITTING INSTRUCTIONS WITHOUT / ORIGINAL SKID PLATE



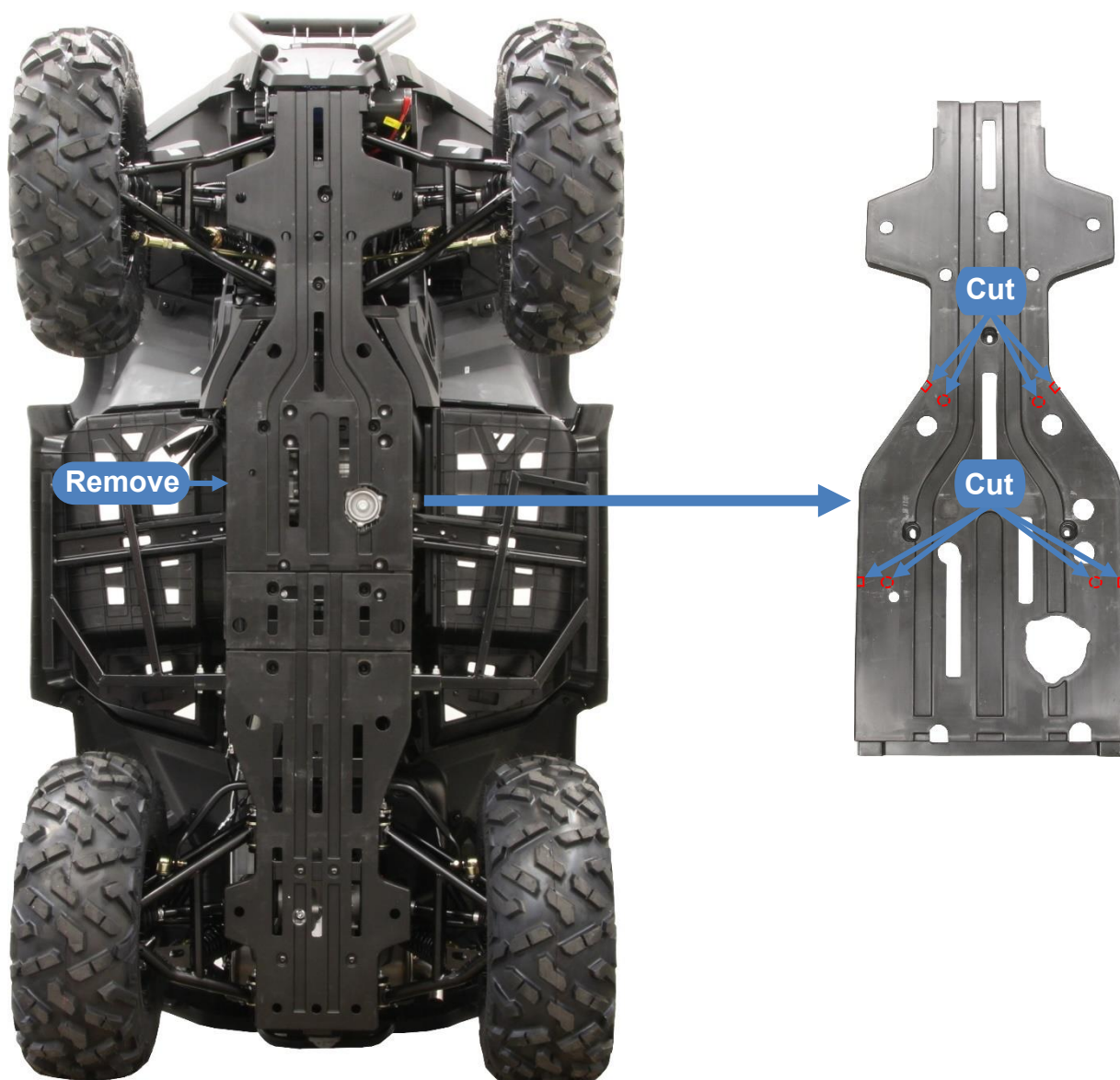
NB!

We recommend using thread lock fluid on the bolts!
Bolts tend to loosen with vibration from ATV.

All pictures in this manual are for illustration purposes only and may differ from real product due to the changes made to the product during improvements!

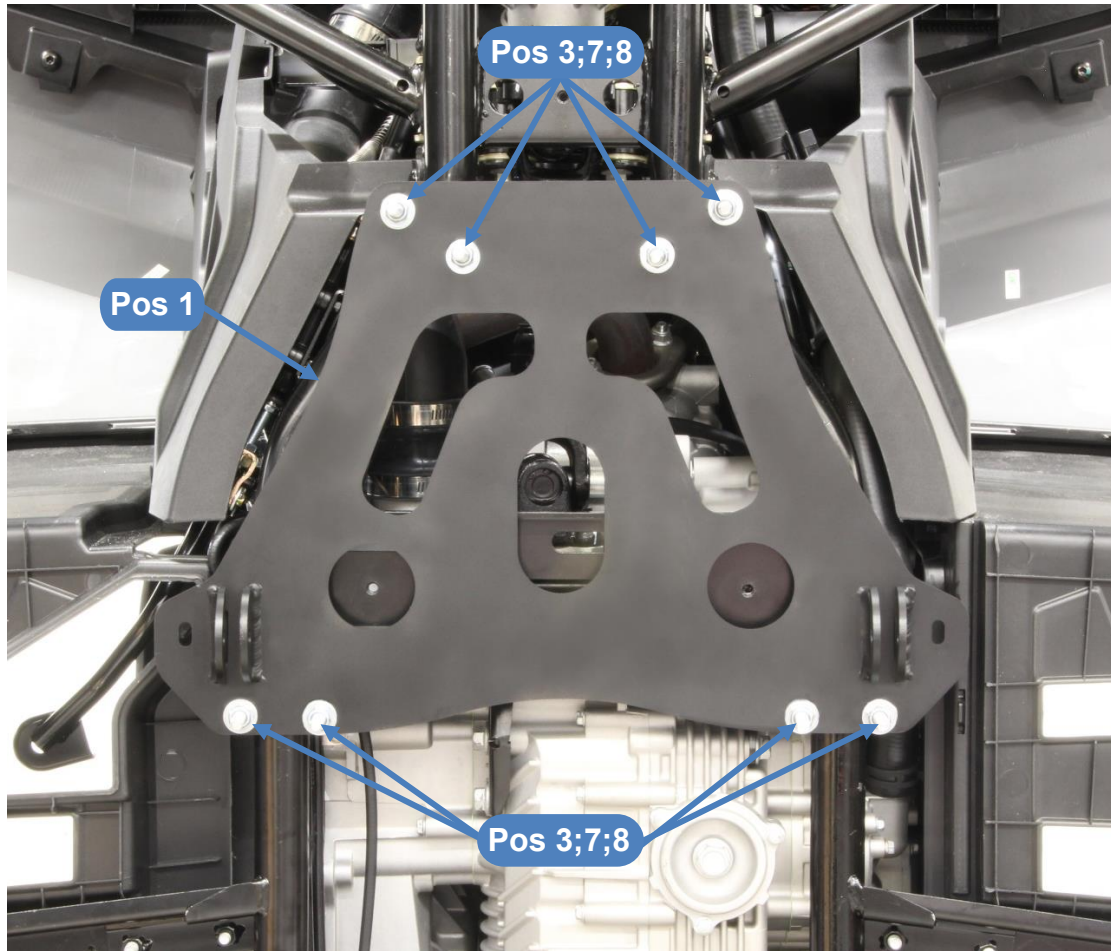
Step 1

Remove the original skid plate part shown in the picture. If you want to use the adapter with original plastic skid plate, make cut-outs for the U-clamps.



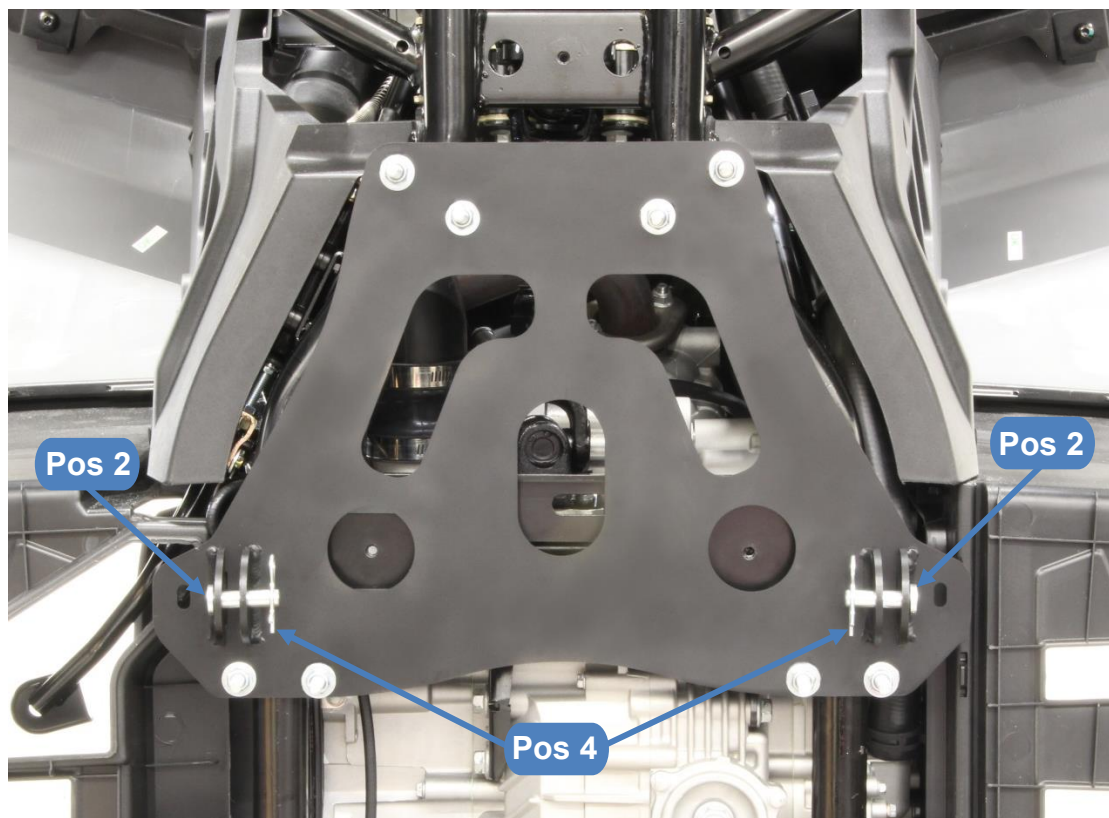
Step 2

For fastening the adapter (Pos.1) use M8x38 U-bolts (Pos.3), Ø8 mm washers (Pos.7) and M8 nyloc nuts (Pos.8).



Step 3

Install 10x40 pins (Pos.2) to the adapter. Use cotter pins (Pos.4) to secure pins (Pos.2) in place.



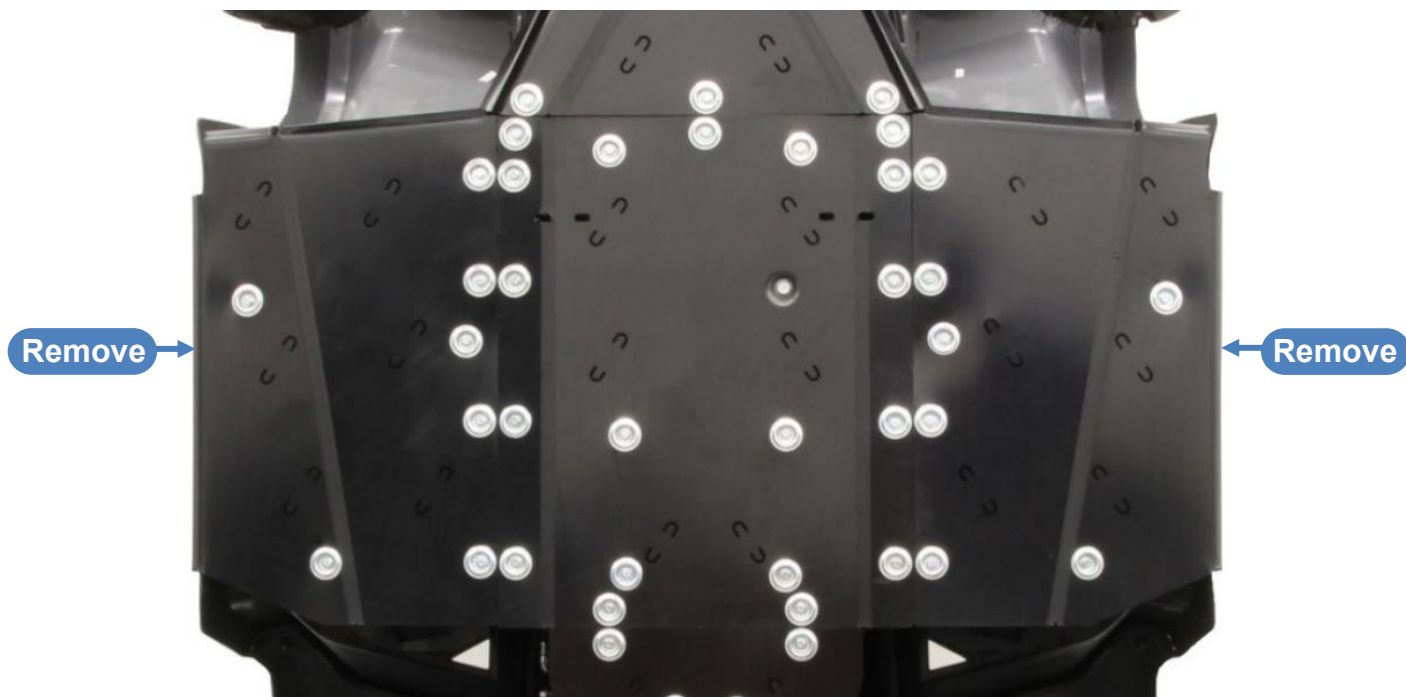
FITTING INSTRUCTIONS WITH IRON BALTIC SKID PLATES

Step 1

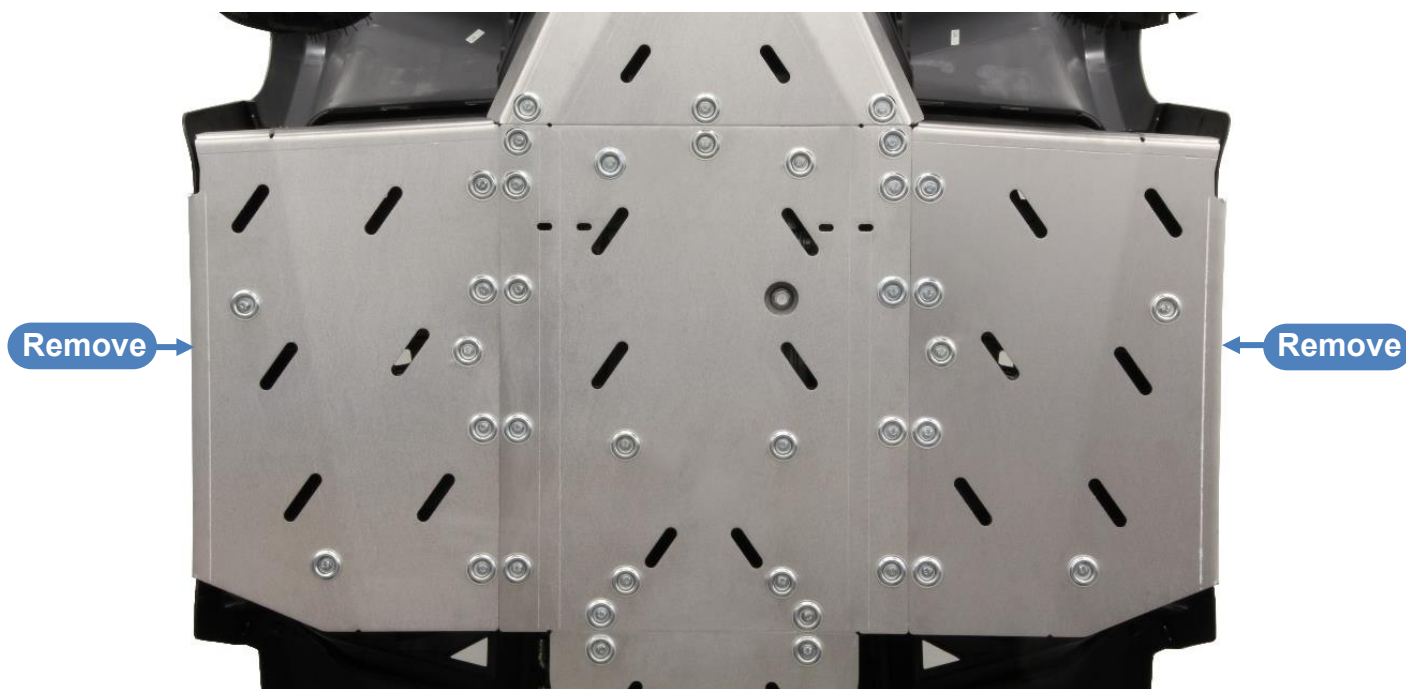
Remove the Iron Baltic left and right side protections.

NB! Do not remove the connecting plate bolts from the side protections.

Iron Baltic plastic skid plate

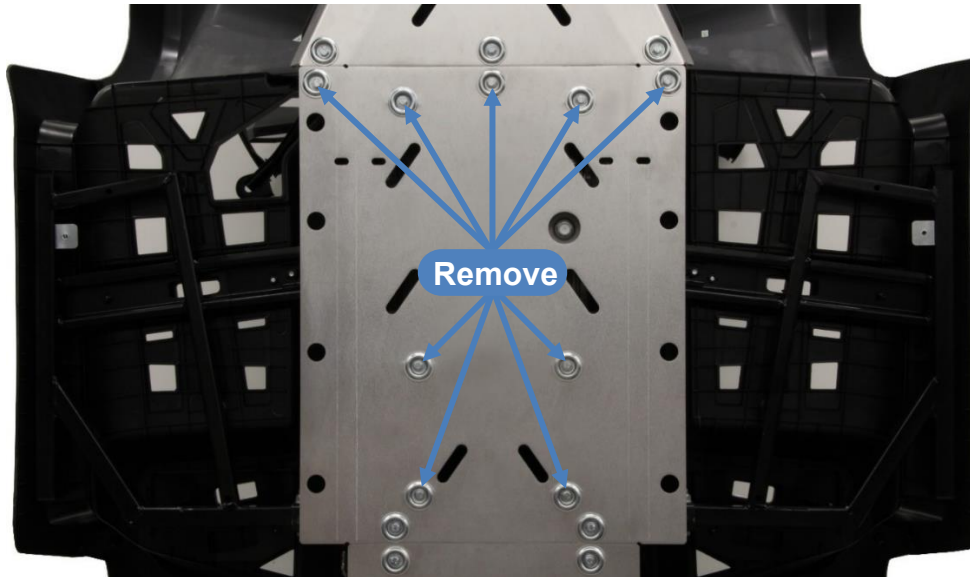


Iron Baltic aluminium skid plate



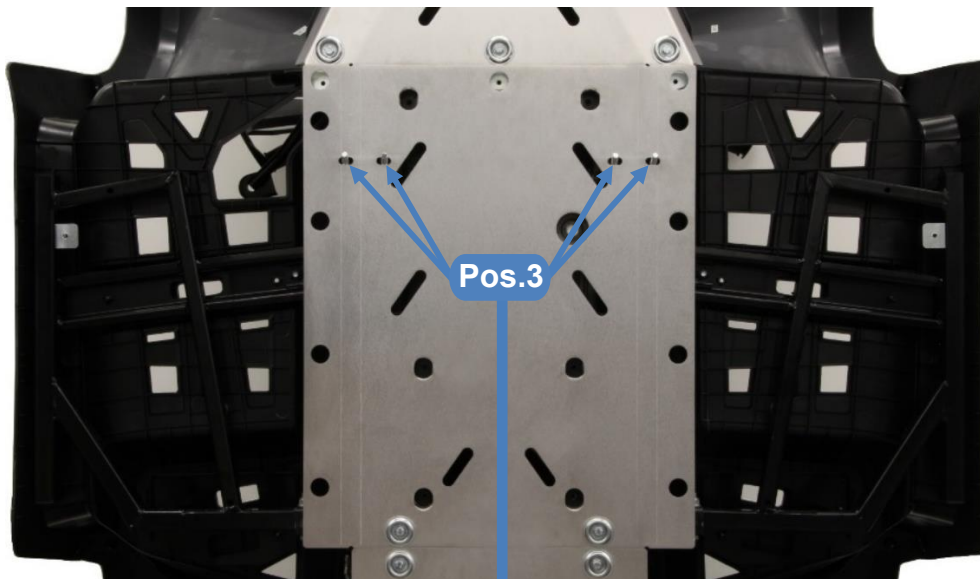
Step 2

Remove brackets shown in the picture.



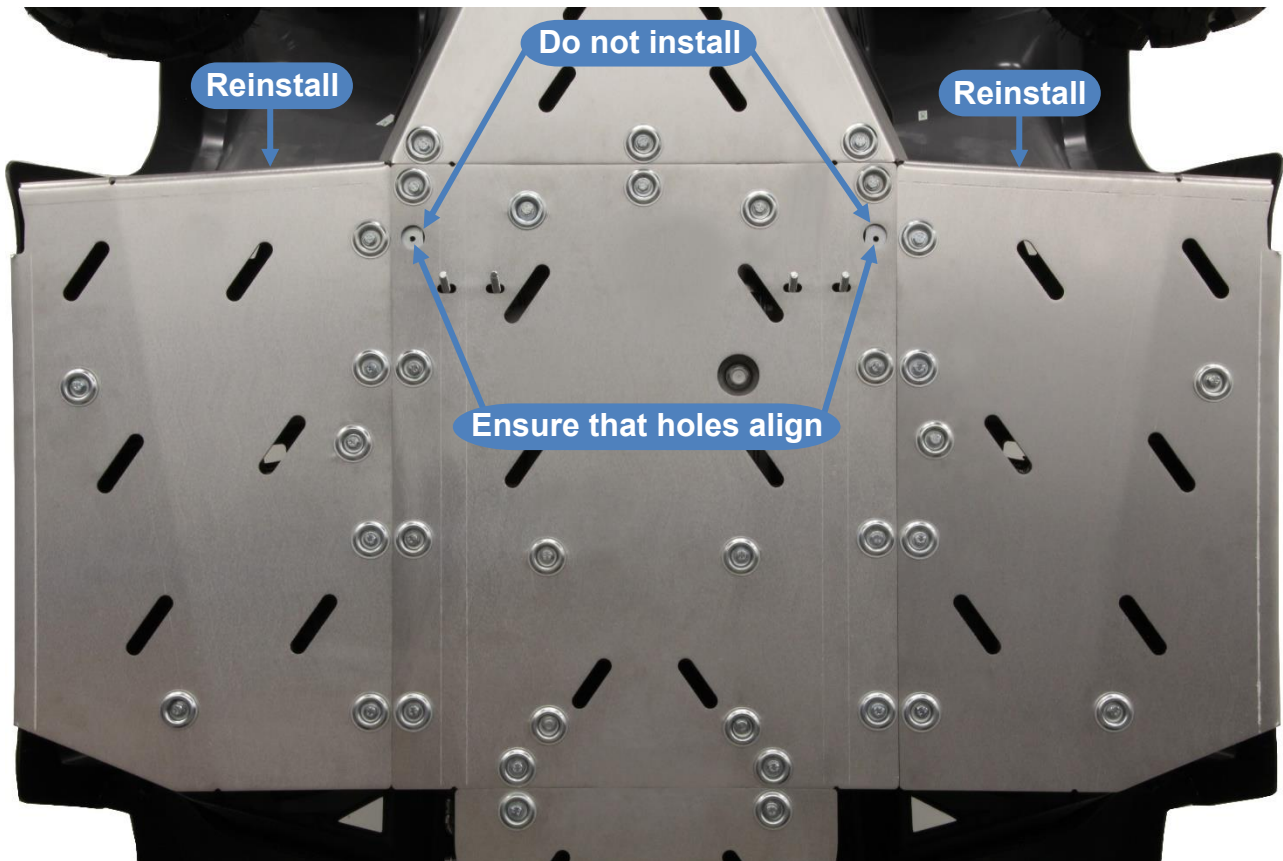
Step 3

Place the M8x38 U-bolts (Pos.3) around the frame tube so that the threaded ends pass through the slots in the middle protection.



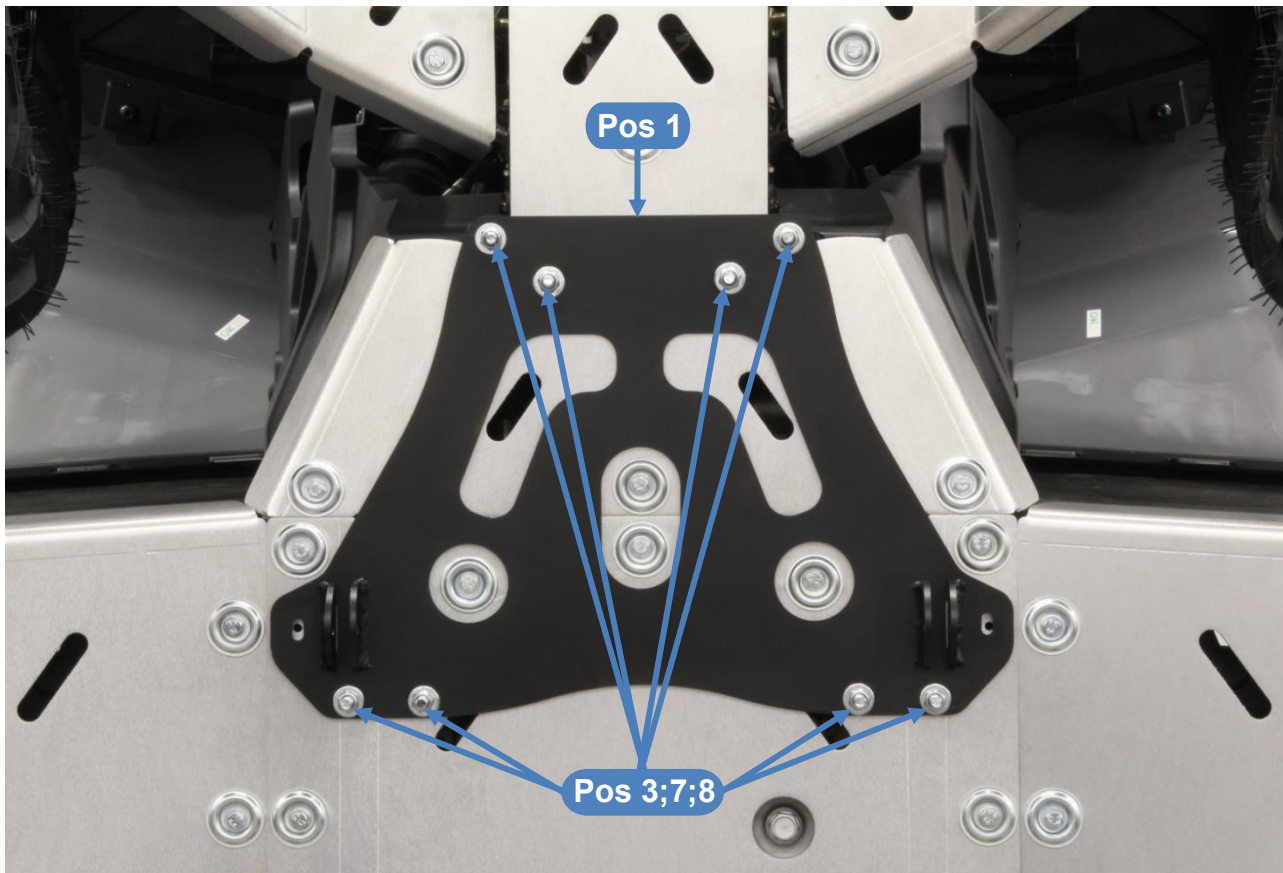
Step 4

Reinstall the side protections. Do not install the brackets shown in the picture. When installing the side protections, ensure that the threaded hole in the connecting plate align with the hole in the middle protection.



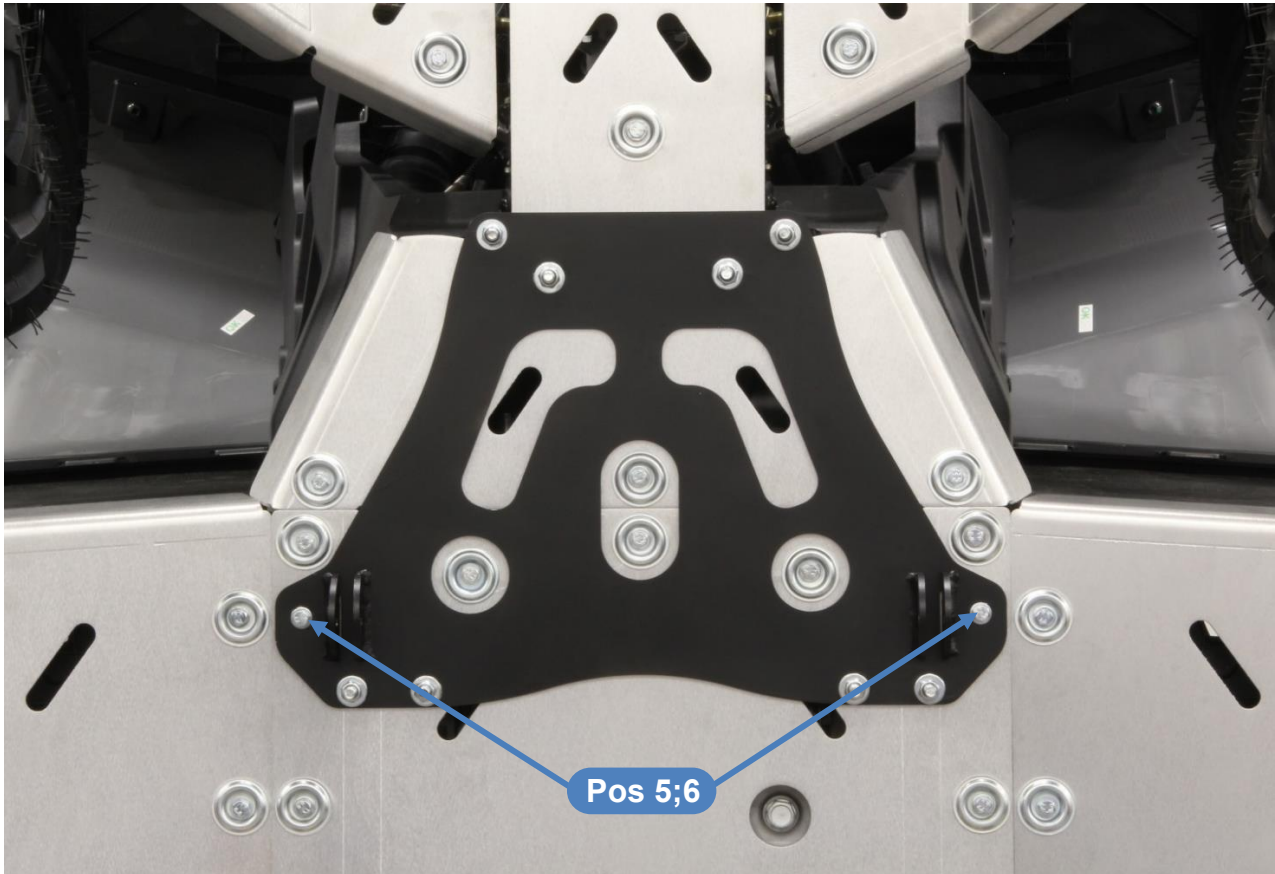
Step 5

Install the adapter (Pos.1) onto the IB skid plate. For fastening use U-bolts (Pos.3), Ø8 mm washers (Pos.7) and M8 nyloc nuts (Pos.8).



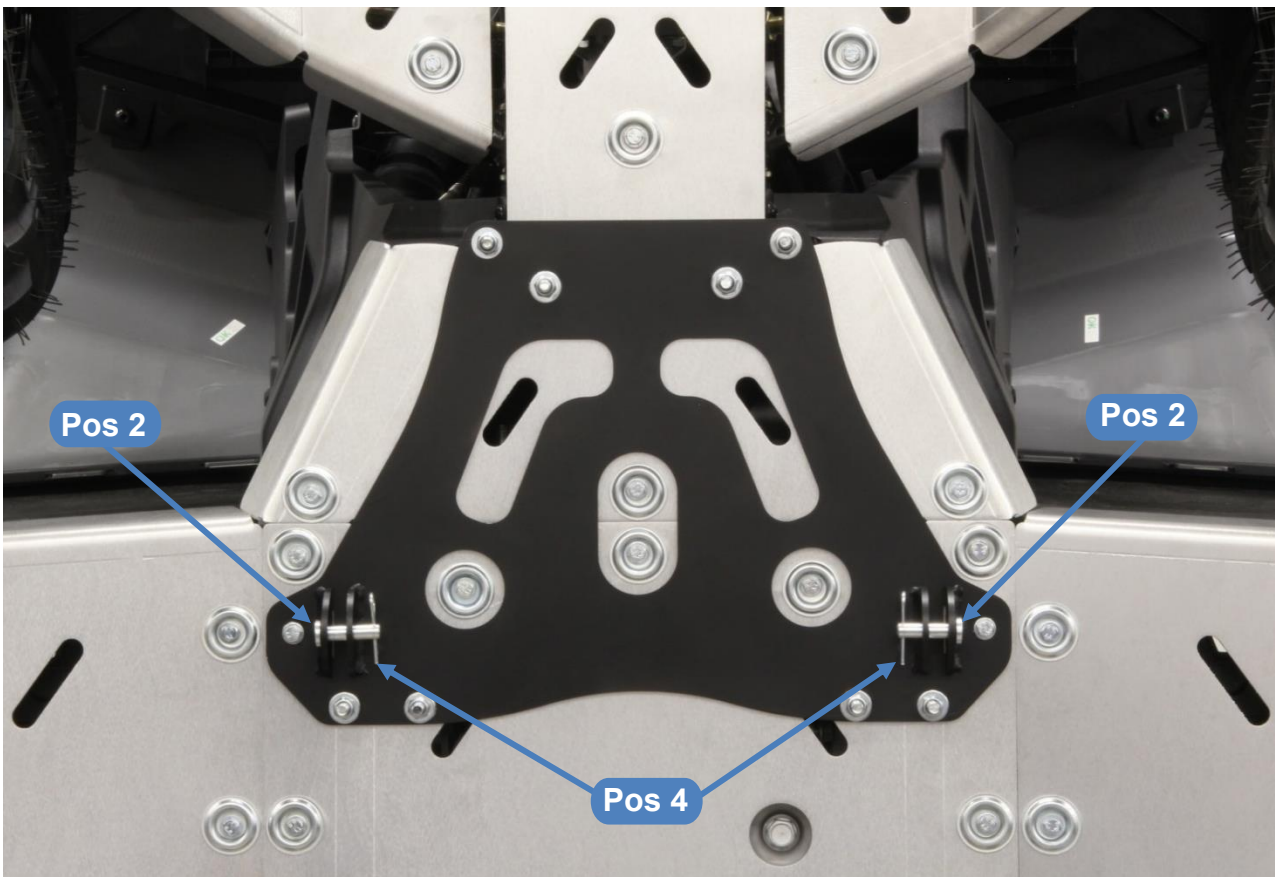
Step 6

Fasten the side protection connecting plates through the adapter using M6x25 bolts (Pos.5) and Ø6 mm washers (Pos.6).



Step 7

Install 10x40 pins (Pos.2) to the adapter. Use cotter pins (Pos.4) to secure pins (Pos.2) in place.



IRON BALTIC

IRON BALTIC OÜ
Joa tee 17
Vääna 76903
Estonia / Europe

+372 6 533 711
sales@ironbaltic.com

www.ironbaltic.com
www.facebook.com/ironbaltic
www.youtube.com/user/ironbalticLtd