

IRON BALTIC

DOWNLOAD MULTILINGUAL
USER MANUAL



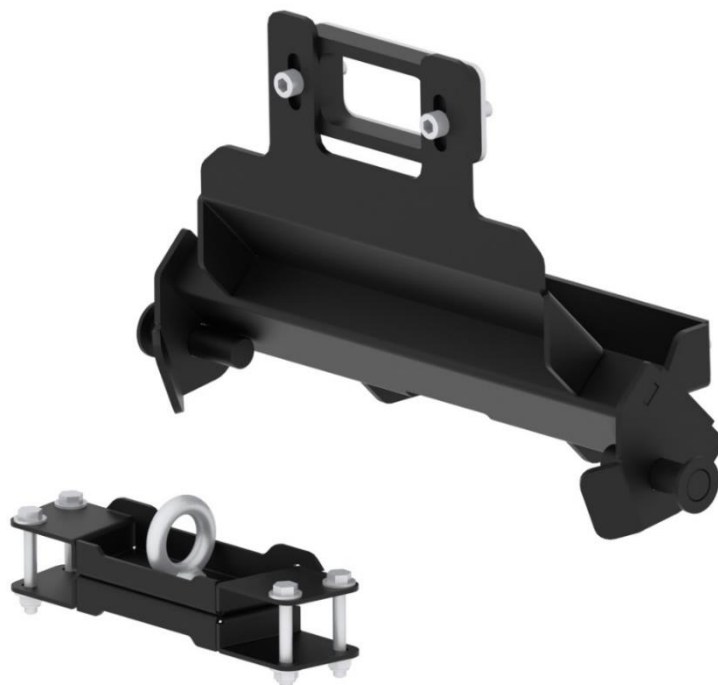
code.ironbaltic.com/u/l9neo7lu

FRONT-MOUNT ADAPTER

SEGWAY SNARLER AT10 L

Code 03.16600

Version 06062025



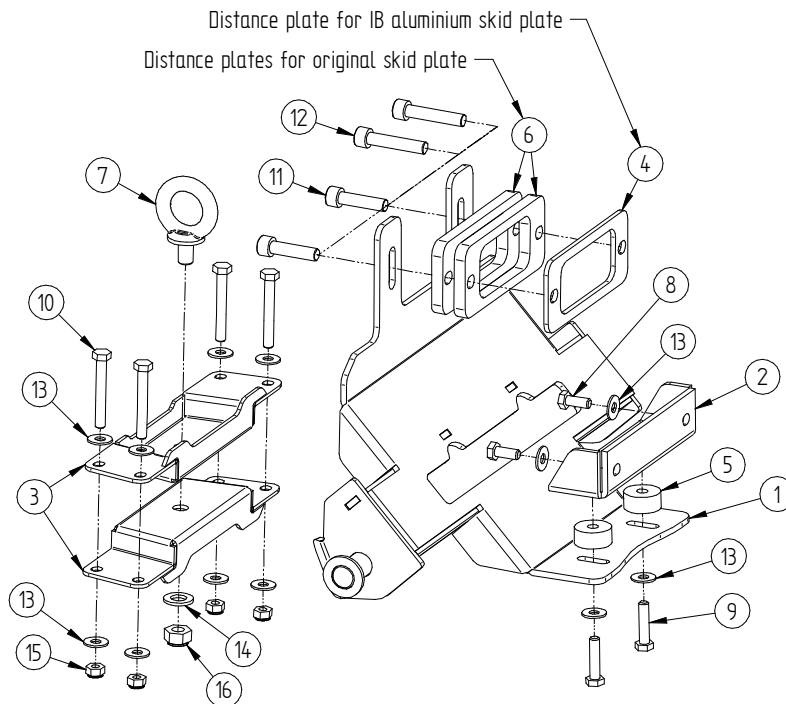
Keep this manual for future reference!

If you need any spare parts, please send this packaging data to your local dealer or to Iron Baltic sales@ironbaltic.com

SPECIFICATION

Pos.	Description	Code	Amount
1	Snow plow adapter	03.16601K	1
2	Lower bracket	03.16604	1
3	Lifting plate	03.12406	2
4	Distance plate (1)	02.31809	1
5	Distance bushing	02.707	2
6	Distance plate (2)	05.3902	2
7	Lifting eye bolt M12 DIN580	OT.19.01.010	1
8	Bolt M8x20 DIN933	OT.02.02.180	2
9	Bolt M8x35 DIN933	OT.02.02.210	2
10	Bolt M8x60 DIN931	OT.02.01.015	4
11	Bolt M10x1,25-40 DIN912 ZP	OT.02.06.057	2
12	Bolt M10x1,25-50 DIN912 ZP	OT.02.06.058	2
13	Washer Ø8/20 SFS3738	OT.04.03.030	12
14	Washer Ø12 DIN125	OT.04.01.050	1
15	Nyloc nut M8 DIN985	OT.03.02.040	4
16	Nyloc nut M12 DIN985	OT.03.02.060	1

- Designing the front-mount adapter, original/factory tires were taken into consideration (front: 27x9.00-14 and rear: 27x11.00-14).



* Numbers on drawing correspond to Pos numbers on specification table.



TOOLS REQUIRED FOR INSTALLATION:

- Hex key 5 mm
- Hex key 8 mm
- Spanner 13 mm
- Socket wrench 13 mm
- Socket wrench 19 mm

FITTING INSTRUCTIONS



NB!

We recommend using thread lock fluid on the bolts!
Bolts tend to loosen with vibration from ATV.

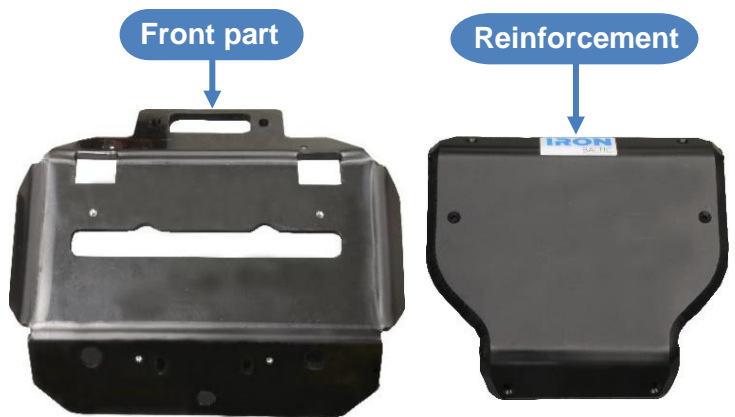
All pictures in this manual are for illustration purposes only and may differ from real product due to the changes made to the product during improvements!

Step 1

Remove winch fairlead and the plastic on the front of the ATV. When using the Iron Baltic skid plate, then remove the skid plate front part and reinforcement from the front part.

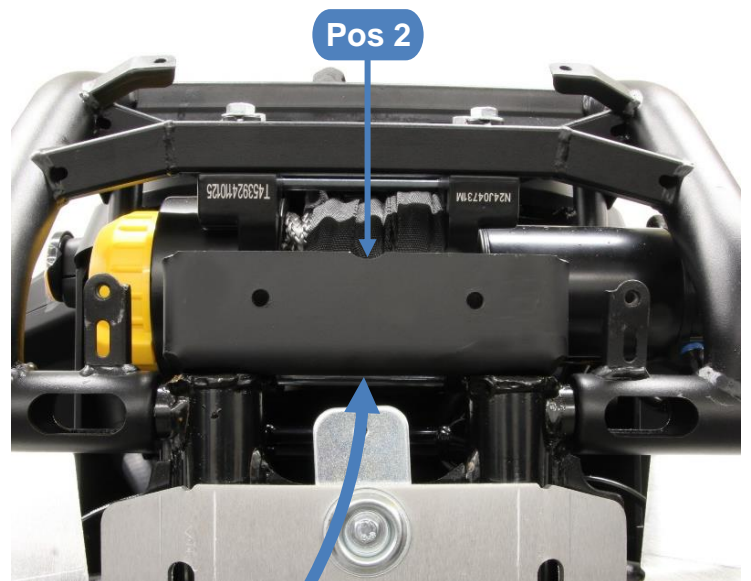
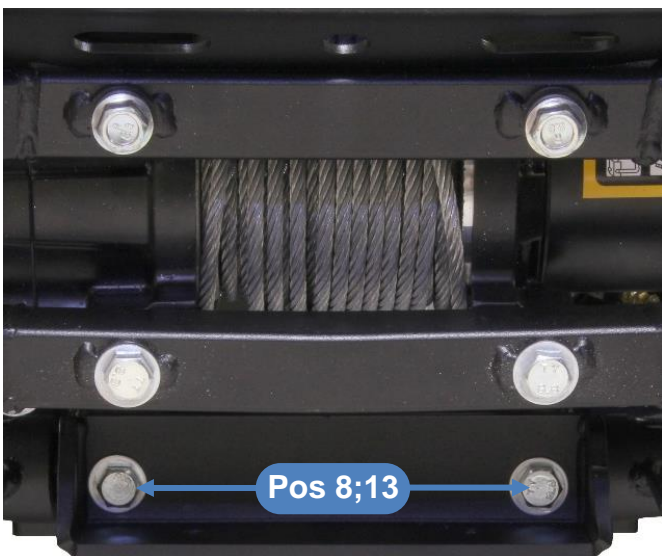


Iron Baltic skid plate front part:



Step 2

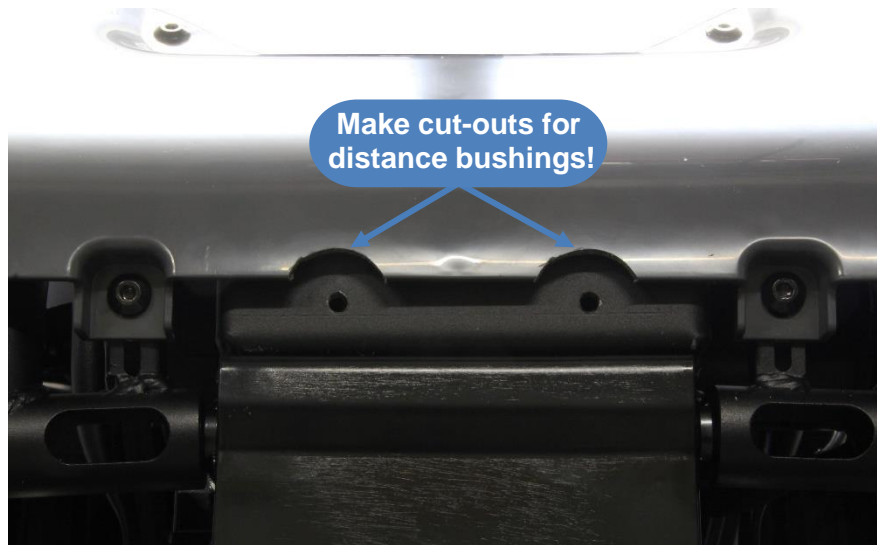
Install lower bracket (Pos.2). For fastening use M8x20 bolts (Pos.8) and Ø8 mm washers (Pos.13).



Step 3

Reinstall front plastic / skid plate front part. When installing adapter with original front plastic, make cut-outs for the distance bushings.

Original front plastic:



Iron Baltic skid plate front part:



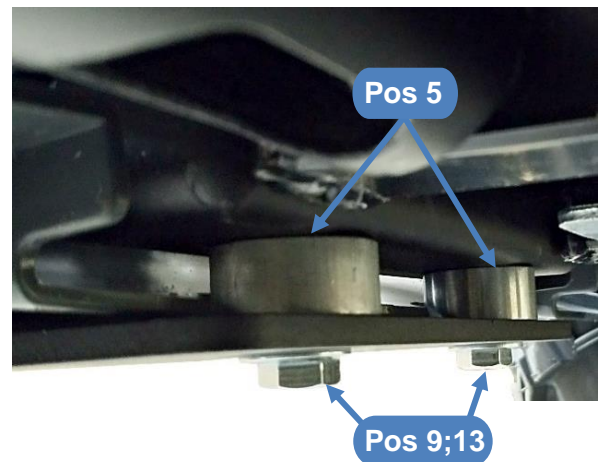
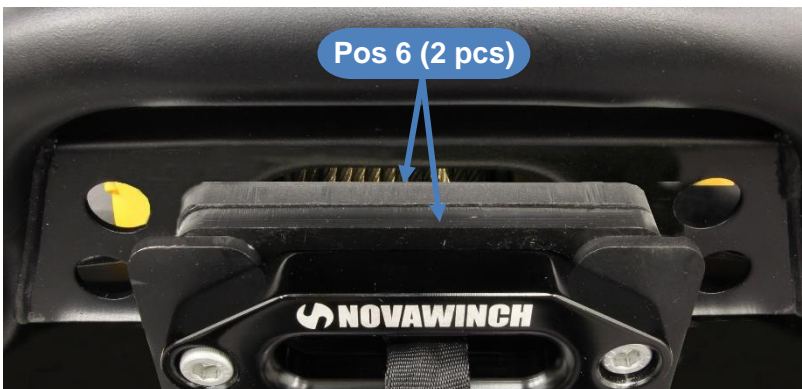
Step 4

Install adapter (Pos.1) together with winch fairlead. When mounting it with original skid plate, use M8x35 bolts (Pos.9), M10x50 bolts (Pos.12), Ø8 mm washers (Pos.13), distance bushings (Pos.5) and distance plates (Pos.6). Install bushings (Pos.5) between adapter (Pos.1) and lower bracket (Pos.2). Use distance plates (2 pcs) Pos.6) when fixing the upper part of the adapter. If using adapter with the Iron Baltic skid plate, use M8x35 bolts (Pos.9), M10x40 bolts (Pos.11), Ø8 mm washers (Pos.13) and distance plate (Pos.4).

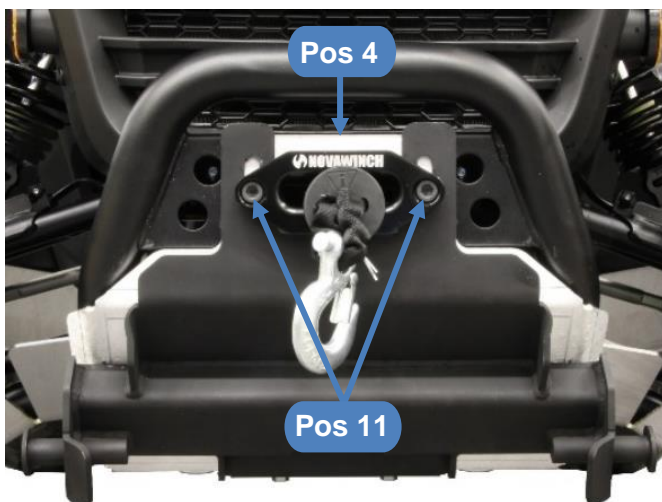
NB! When installing with Iron Baltic skid plate, then distance bushings (Pos.5) are not needed!

NB! Only use the distance plate (Pos. 4) with the aluminum skid plate.

Installation with original skid plate:

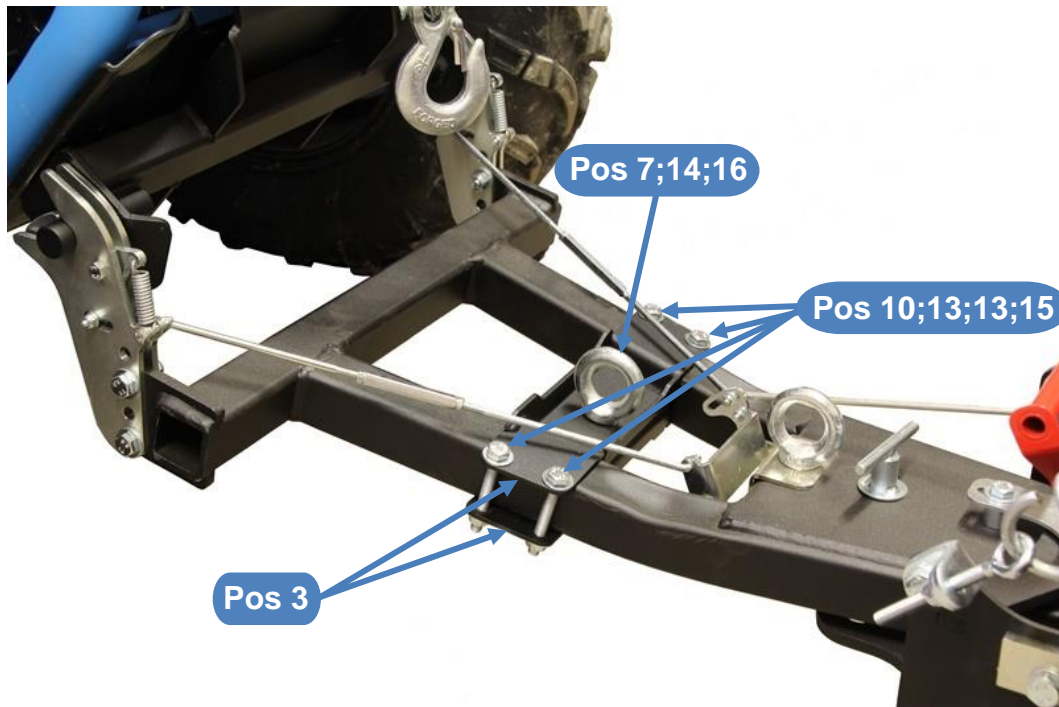


Installation with Iron Baltic skid plate:



Step 5

Install lifting plates (Pos.3) to the snow plow frame and lifting eye bolt (Pos.7) to lifting plate. For fastening the lifting plates use M8x60 bolts (Pos.10), Ø8 mm washers (Pos.13) and M8 nyloc nuts (Pos.15). For fastening the lifting eye use Ø12 mm washer (Pos.14) and M12 nyloc nuts (Pos.16).



IRON BALTIC

IRON BALTIC OÜ
Joa tee 17
Vääna 76903
Estonia / Europe

+372 6 533 711
sales@ironbaltic.com

www.ironbaltic.com
www.facebook.com/ironbaltic
www.youtube.com/user/ironbalticLtd