

IRON BALTIC

SNOW PLOW MOUNTING KIT

CECTEK

500 EFI Quadrift/ Kingcobra/ Gladiator/ Estoc

Code 03.1600

Version 01112023



Keep this manual for future reference!

If you need any spare parts, please send this packaging data to your local dealer or to Iron Baltic sales@ironbaltic.com

Iron Baltic Ltd | +372 653 3711 | sales@ironbaltic.com | www.ironbaltic.com

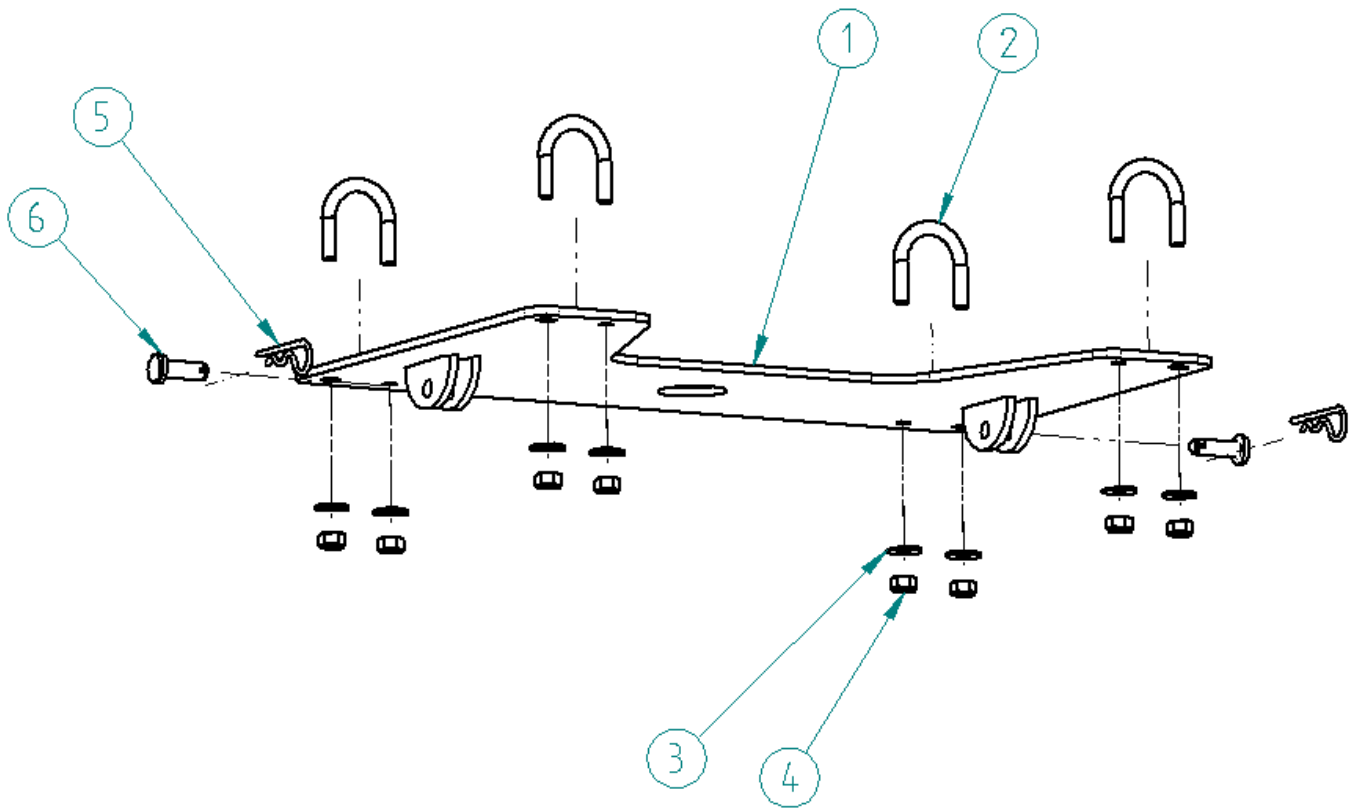
DOWNLOAD MULTILINGUAL
USER MANUAL



code.ironbaltic.com/u/Rfd1yEF3

SPECIFICATION

Pos.	Description	Code	Amount
1	Snow plow mounting kit	03.1610	1
2	Clamp M8 x 32	OT.05.01.020	4
3	Washer 8/20 SFS 3738	OT.04.03.030	8
4	Nut M8 Nyloc DIN 985	OT.03.02.040	8
5	Cotter pin 2mm DIN 11024	OT.07.01.010	2
6	Pin 10 x 40 DIN 1444	14.003	2



IRON BALTIC

IRON BALTIC OÜ
Joa tee 17
Vääna 76903
Estonia / Europe

+372 6 533 711
sales@ironbaltic.com

www.ironbaltic.com
www.facebook.com/ironbaltic
www.youtube.com/user/ironbalticLtd

