

MID-MOUNT ADAPTER

SEGWAY

Snarler

Code 03.12500

Version 13112023



Keep this manual for future reference!

If you need any spare parts, please send this packaging data to your local dealer or to Iron Baltic sales@ironbaltic.com

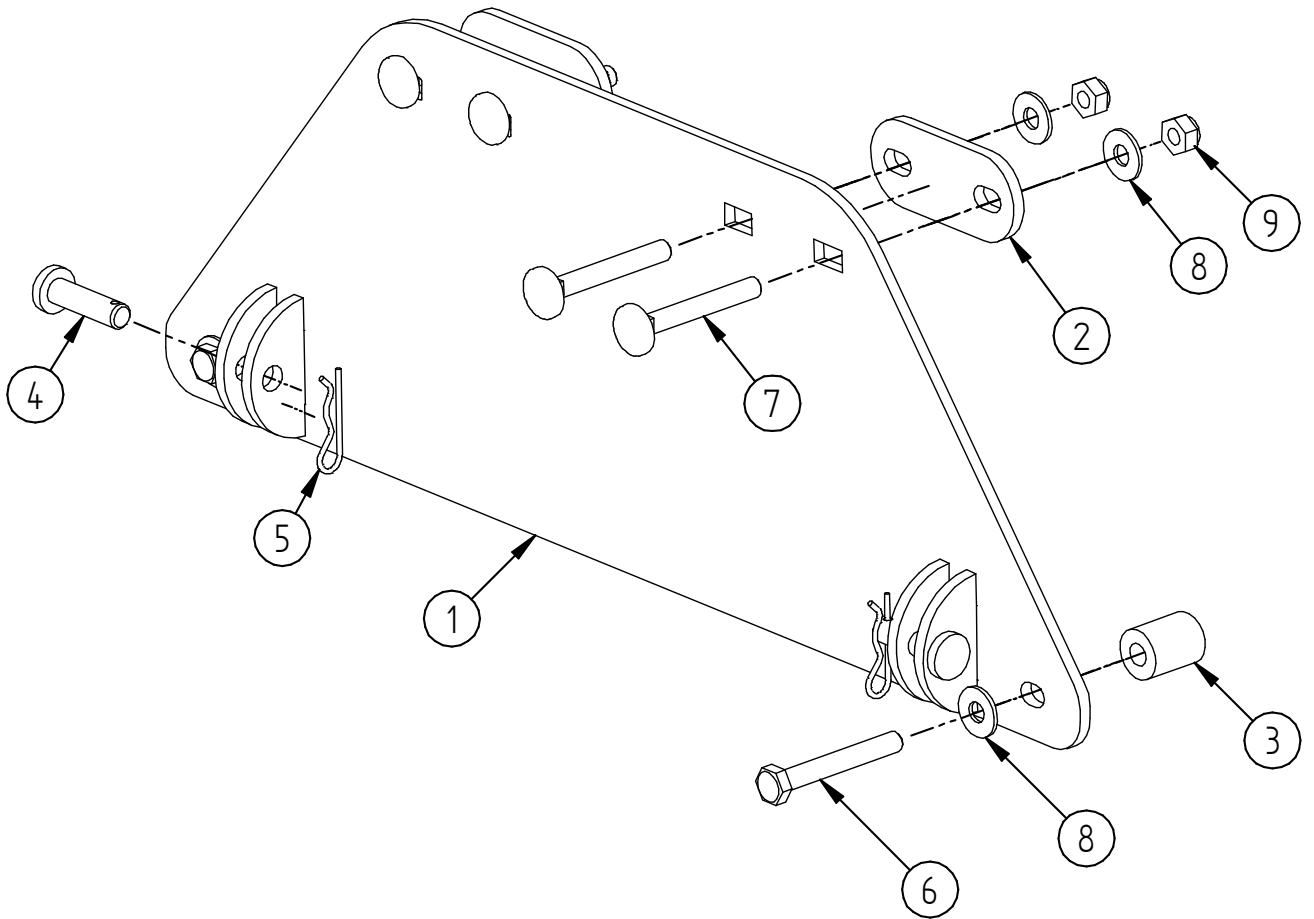
DOWNLOAD MULTILINGUAL
USER MANUAL



code.ironbaltic.com/u/4dWnN7nC

SPECIFICATION

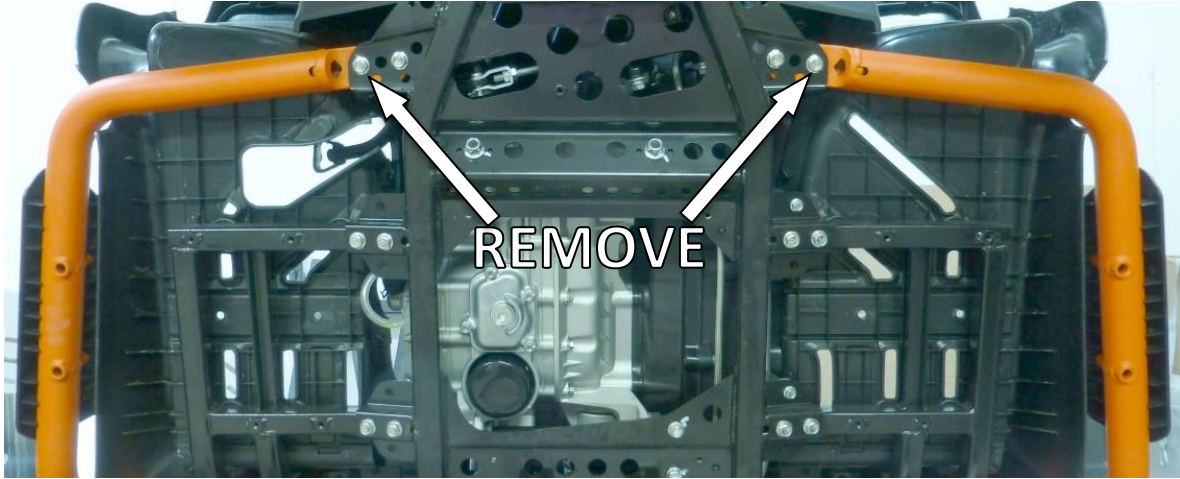
Pos.	Description	Code	Amount
1	Plow adapter	03.12501K	1
2	Installation plate	03.12502	2
3	Distance bush	05.2703	2
4	Pin 10x40 mm	14.003	2
5	Locking pin 2mm	OT.07.01.010	2
6	Bolt M8x60 DIN933	OT.02.02.250	2
7	Carriage bolt M8x60 DIN603	OT.02.05.080	4
8	Washer Ø8/20 SFS3738	OT.04.03.030	6
9	Nut M8 Nyloc DIN985	OT.03.02.040	4



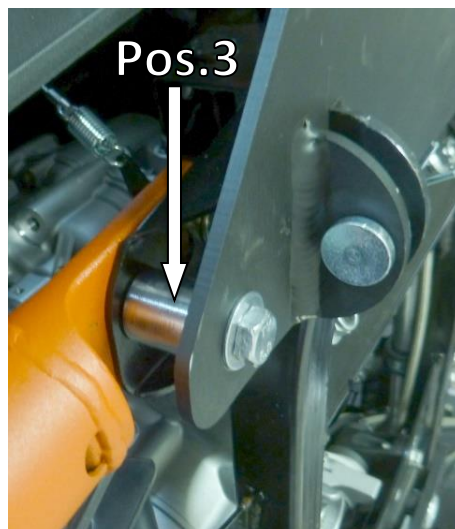
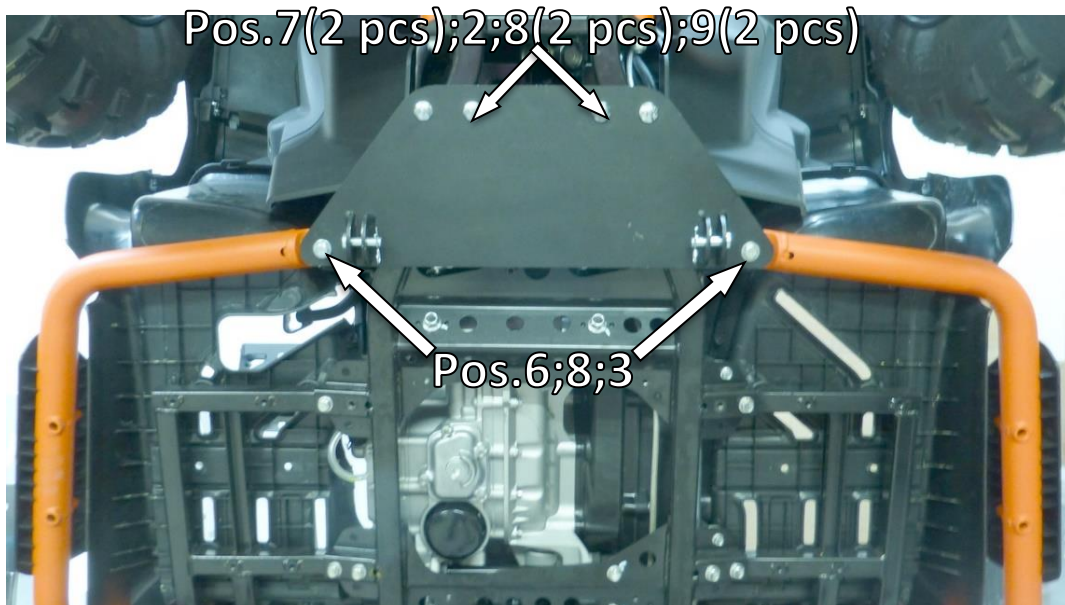
FITTING INSTRUCTIONS

Without IronBaltic skid plate

Step 1 Remove rock slider bolts indicated with arrows.



Step 2 Install adapter. Place distance bush (Pos.3) between frame and adapter.

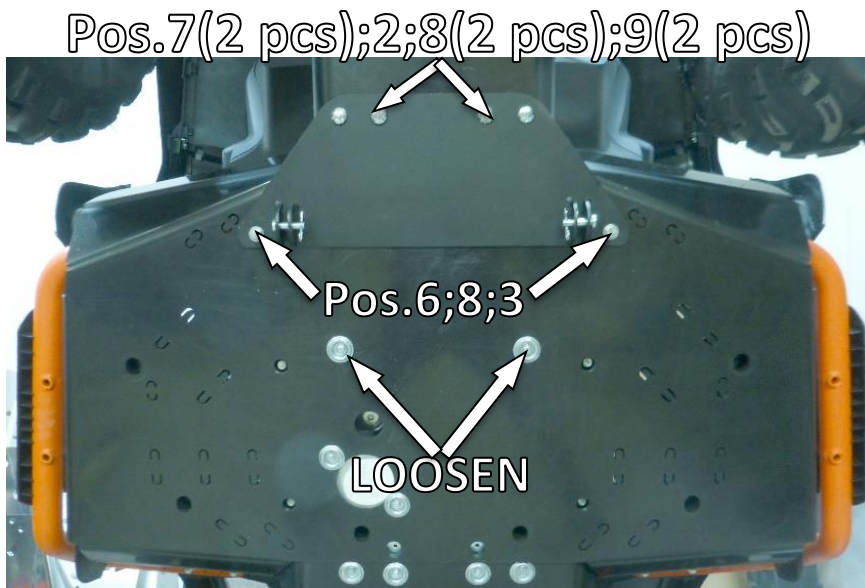
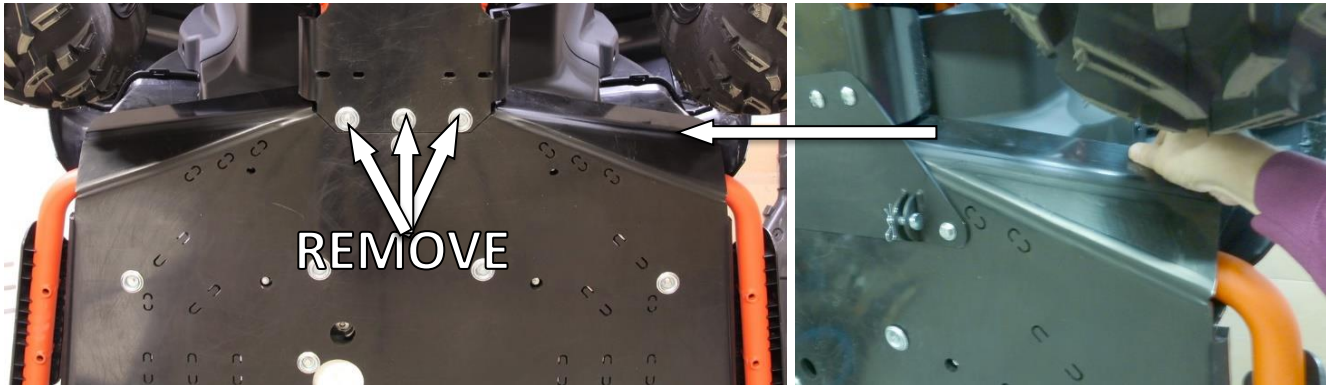


FITTING INSTRUCTIONS

With IronBaltic skid plate

Step 2

Remove front and middle part connecting plate and bolts indicated with arrows. Remove temporarily all middle part bolts except for two middle ones, loosen those as much as possible. Install adapter with upper bolts (Pos.7) but do not tighten them!
Pull middle part away and install distance bush (Pos.3) between ATV frame and skid plate. Reinstall skidplate bolts and tighten adapter bolts.



IRON BALTIC

IRON BALTIC OÜ
Joa tee 17
Vääna 76903
Estonia / Europe

+372 6 533 711
sales@ironbaltic.com

www.ironbaltic.com
www.facebook.com/ironbaltic
www.youtube.com/user/ironbalticLtd

