

IRON BALTIC

MID-MOUNT ADAPTER

JOHN DEERE HPX815E

Code 03.10800

Version 11112023



Keep this manual for future reference!

If you need any spare parts, please send this packaging data to your local dealer or to Iron Baltic sales@ironbaltic.com

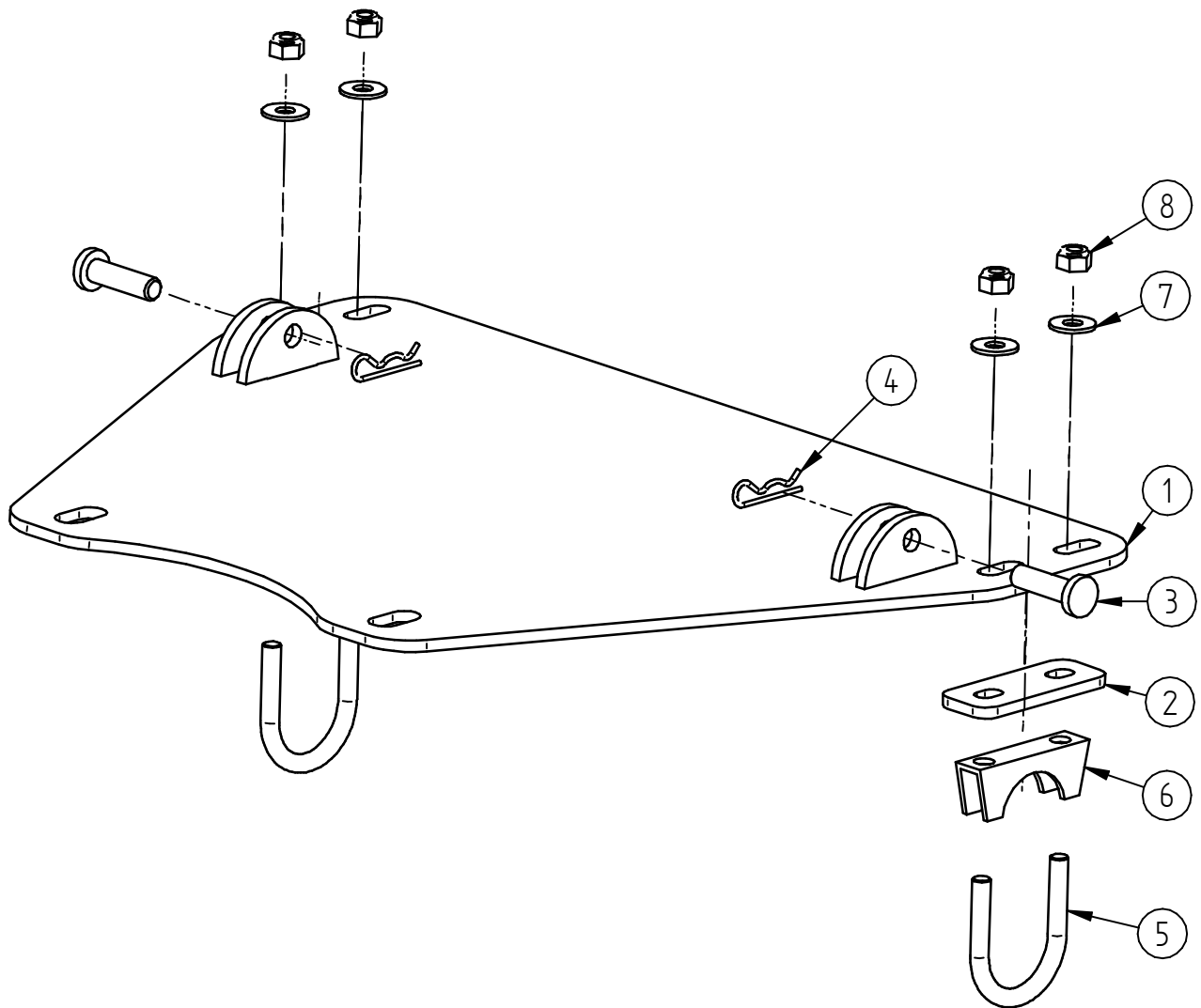
DOWNLOAD MULTILINGUAL
USER MANUAL



code.ironbaltic.com/u/9VLo2Oep

SPECIFICATION

| Pos. | Description | Code | Amount |
|------|----------------------|--------------|--------|
| 1 | Plow adapter | 03.10801K | 1 |
| 2 | Distance plate | 03.4003 | 2 |
| 3 | Pin 10x40 mm | 14.003 | 2 |
| 4 | Locking pin 2 mm | OT.07.01.010 | 2 |
| 5 | U-bolt M8x38 | 14.009 | 2 |
| 6 | U-bolt bracket M8x38 | OT.05.04.030 | 2 |
| 7 | Washer 8/20 SFS3738 | OT.04.03.030 | 4 |
| 8 | Nut M8 Nyloc DIN985 | OT.03.02.040 | 4 |

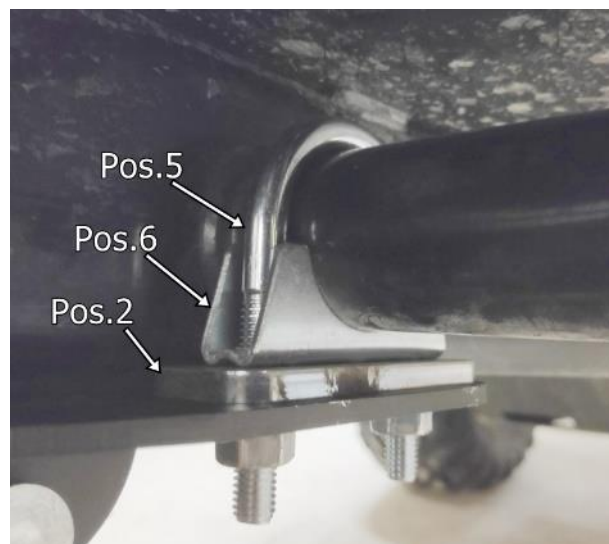
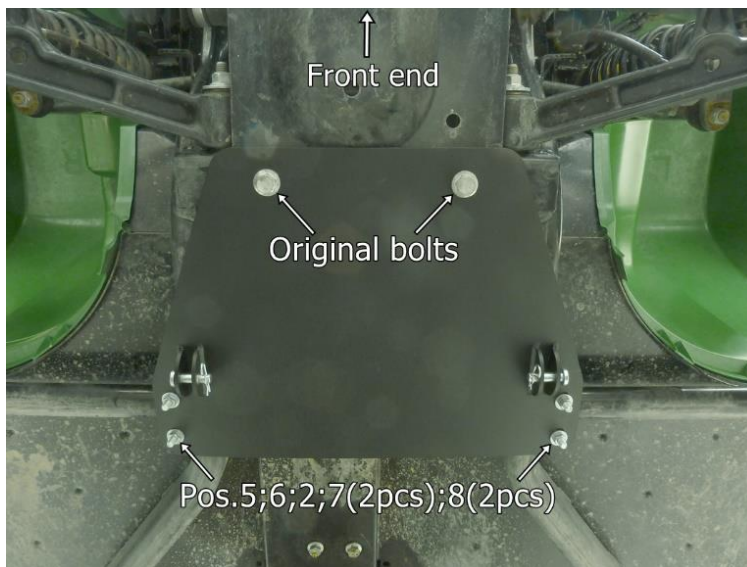


FITTING INSTRUCTIONS

Step 1 Remove original front differential protector bolts, indicated with arrows.



Step 2 Install plow adapter 03.10801K.



IRON BALTIC

IRON BALTIC OÜ
Joa tee 17
Vääna 76903
Estonia / Europe

+372 6 533 711
sales@ironbaltic.com

www.ironbaltic.com
www.facebook.com/ironbaltic
www.youtube.com/user/ironbalticLtd

