



## PLASTIC FRONT PART

# CAN AM Outlander (G2)

Code 02.8515S

Version 11022025

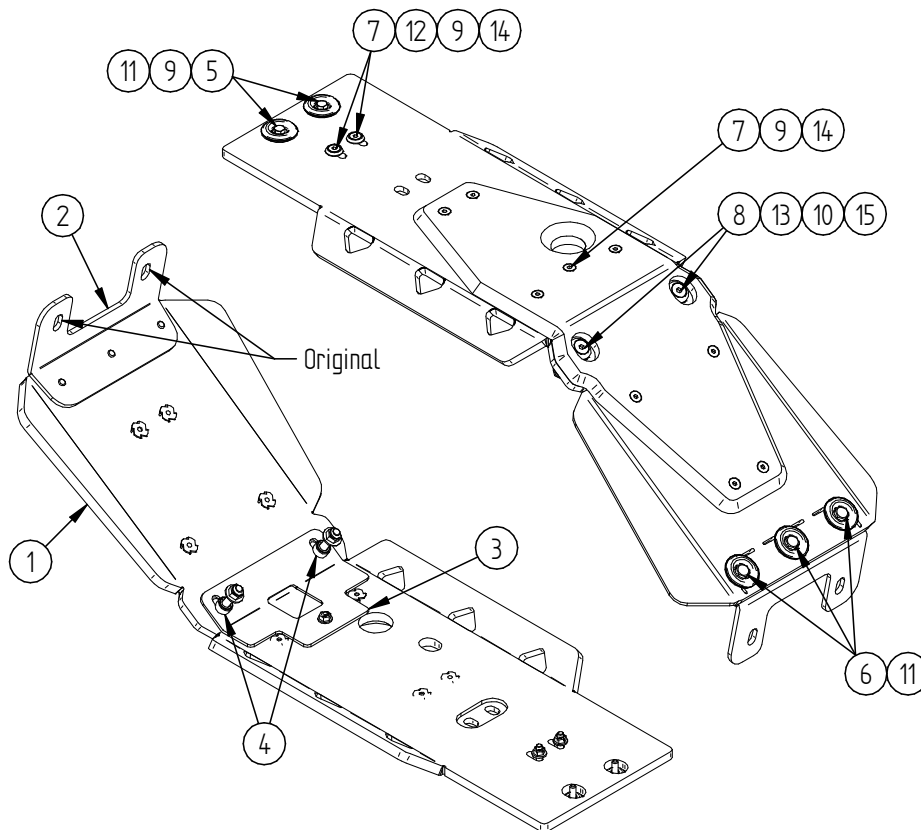


**Keep this manual for future reference!**

If you need any spare parts, please send this packaging data to your local dealer or to Iron Baltic [sales@ironbaltic.com](mailto:sales@ironbaltic.com)

# SPECIFICATION

Pos.	Description	Code	Amount
1	Front part	02.8515K	1
2	Front part bracket	02.8506	1
3	Plate for front part	02.10004	1
4	Bush for front part	02.10005	2
5	Bolt M6x16 DIN933	OT.02.02.050	2
6	Bolt M8x20 DIN933	OT.02.02.180	3
7	Bolt M6x30 DIN7991	OT.02.04.050	3
8	Bolt M8x60 DIN7991	OT.02.04.210	2
9	Washer Ø6/15 SFS3738	OT.04.03.020	5
10	Washer Ø8/20 SFS3738	OT.04.03.030	2
11	Dished washer	14.503	5
12	Conical washer Ø6	14.502	2
13	Conical washer Ø8	14.501	2
14	Nyloc nut M6 DIN985	OT.03.02.030	3
15	Nyloc nut M8 DIN985	OT.03.02.040	2



\* Numbers on drawing correspond to Pos numbers on specification table.



## TOOLS REQUIRED FOR INSTALLATION:

- Hex key 4 mm
- Hex key 5 mm
- Spanner 10 mm
- Spanner 13 mm
- Socket wrench 10 mm
- Socket wrench 13 mm

# FITTING INSTRUCTIONS



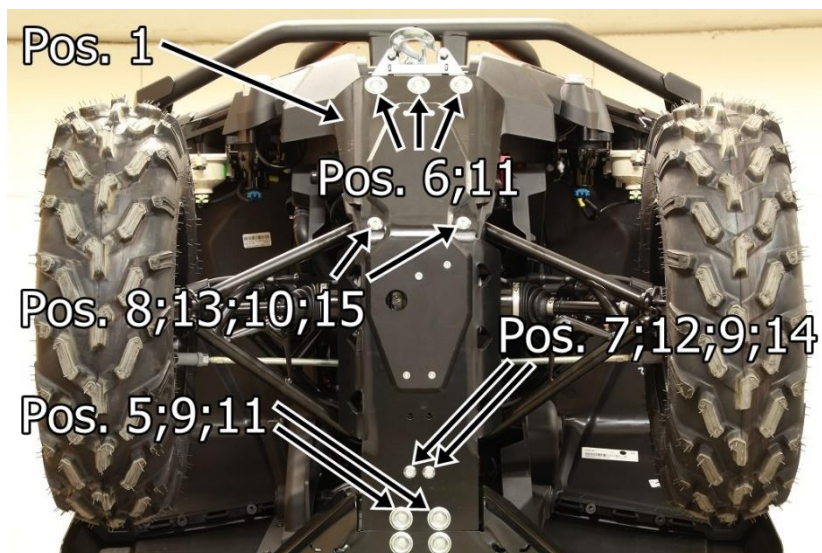
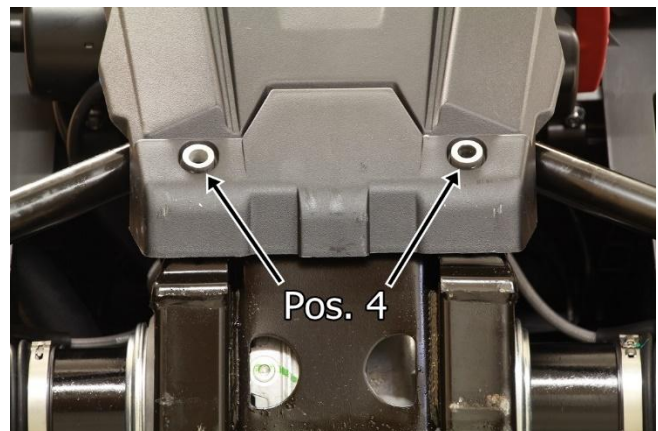
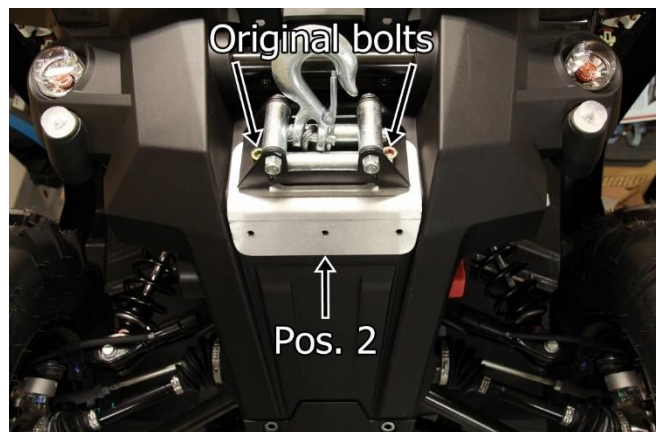
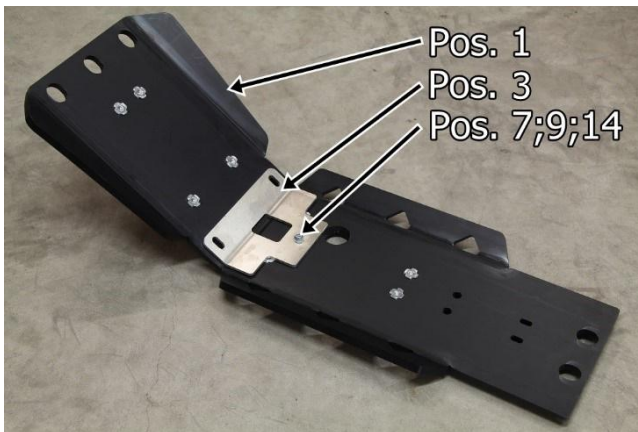
## NB!

We recommend using thread lock fluid on the bolts!  
Bolts tend to loosen with vibration from ATV.

All pictures in this manual are for illustration purposes only and may differ from real product due to the changes made to the product during improvements!

## Step 1

Install front part (Pos.1).



# IRON BALTIC

IRON BALTIC OÜ  
Joa tee 17  
Vääna 76903  
Estonia / Europe

+372 6 533 711  
[sales@ironbaltic.com](mailto:sales@ironbaltic.com)

[www.ironbaltic.com](http://www.ironbaltic.com)  
[www.facebook.com/ironbaltic](https://www.facebook.com/ironbaltic)  
[www.youtube.com/user/ironbalticLtd](https://www.youtube.com/user/ironbalticLtd)