

IRON BALTIC

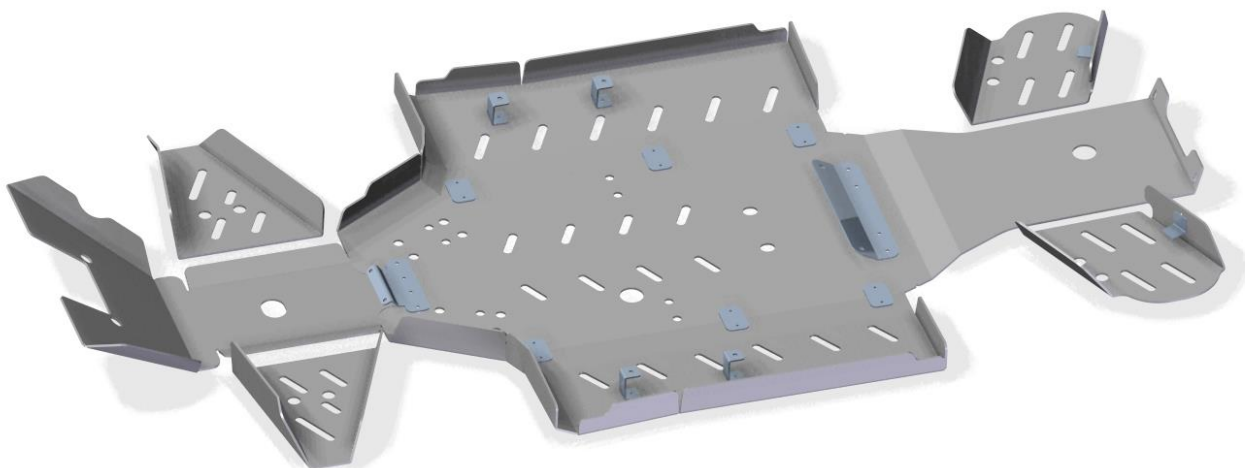
ALUMINIUM SKID PLATE

GOES

520 MAX

Code 02.7800

Version 28102023



Keep this manual for future reference!

If you need any spare parts, please send this packaging data to your local dealer or to Iron Baltic sales@ironbaltic.com

Iron Baltic Ltd | +372 653 3711 | sales@ironbaltic.com | www.ironbaltic.com

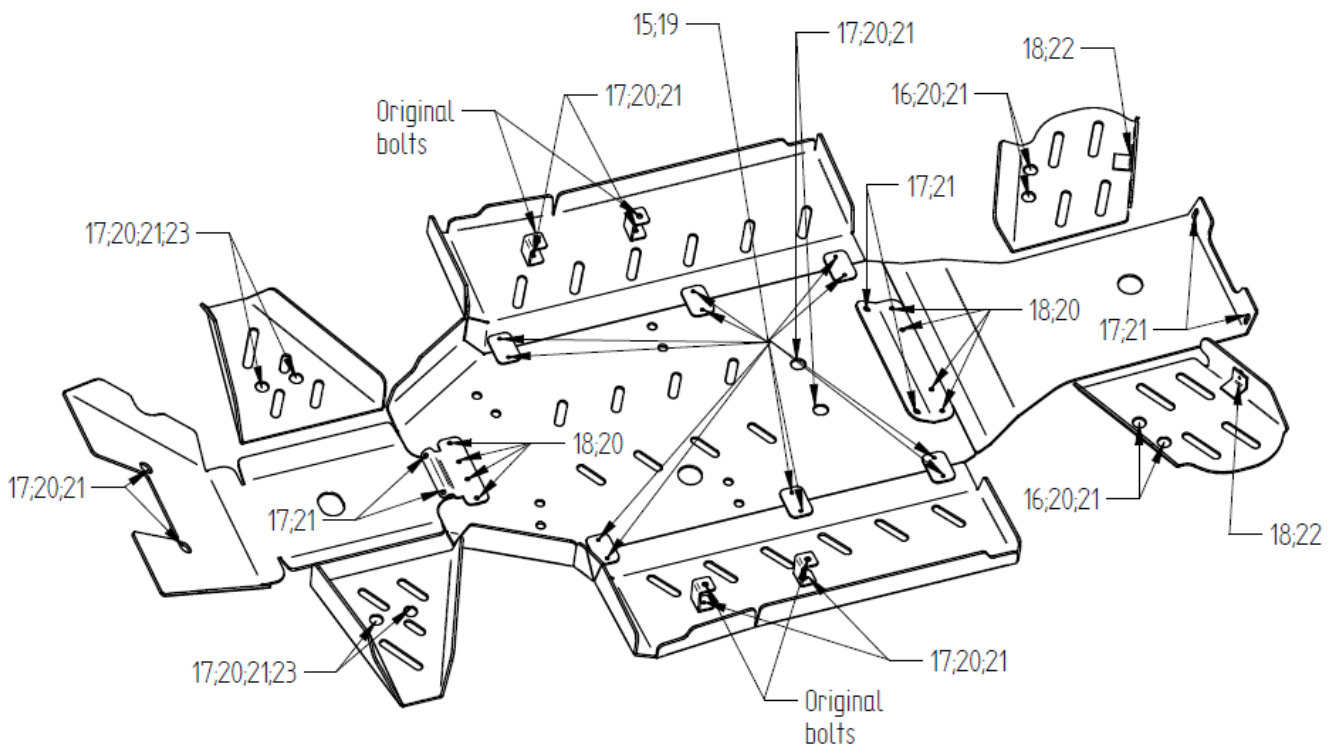
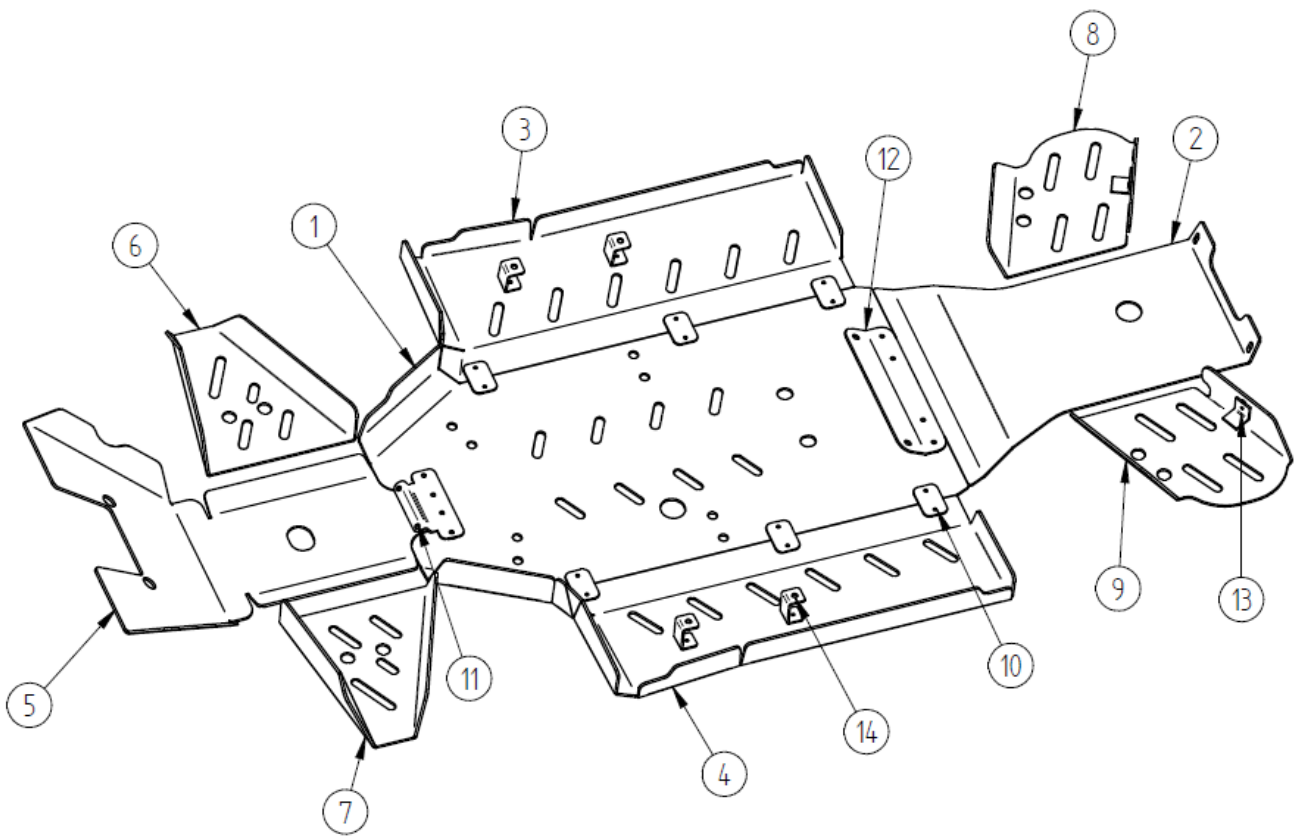
DOWNLOAD MULTILINGUAL
USER MANUAL



code.ironbaltic.com/u/fKVY4xj3

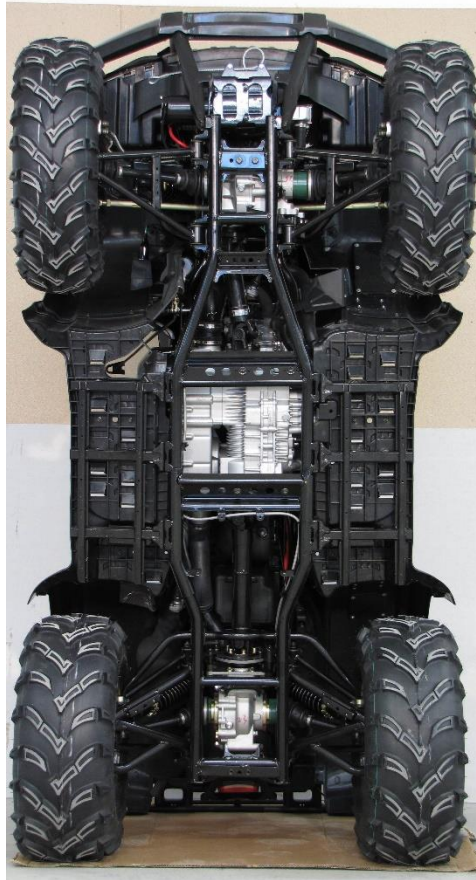
SPECIFICATION

Pos.	Description	Code	Amount
1	Middle part	02.1073	1
2	Rear part	02.1077	1
3	Right protection	02.1078PK	1
4	Left protection	02.1078VK	1
5	Front part	02.7902	1
6	Front right arm protection	02.1075P+	1
7	Front left arm protection	02.1075V+	1
8	Rear right arm protection	02.1076P+	1
9	Rear left arm protection	02.1076V+	1
10	Plate	02.5006	6
11	Bracket	02.1072+	1
12	Clamp	02.5008+	1
13	Rear arm clamp	03.1502	2
14	Bracket	02.6408	4
15	Bolt M6x16 DIN 7991	OT.02.04.020	12
16	Bolt M6x12 DIN 933	OT.02.02.030	4
17	Bolt M6x20 DIN 933	OT.02.02.060	18
18	Bolt M8x20 DIN 933	OT.02.02.180	10
19	Conical washer 6	14.502	12
20	Dished washer	14.503	24
21	Washer 6/15 SFS 3738	OT.04.03.020	26
22	Washer 8/20 SFS 3738	OT.04.03.030	2
23	Nut M6 Nyloc DIN 985	OT.03.02.030	4

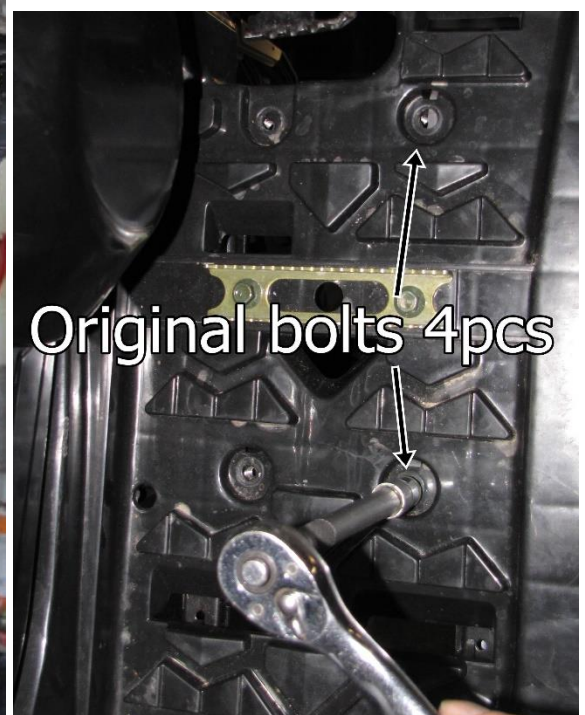
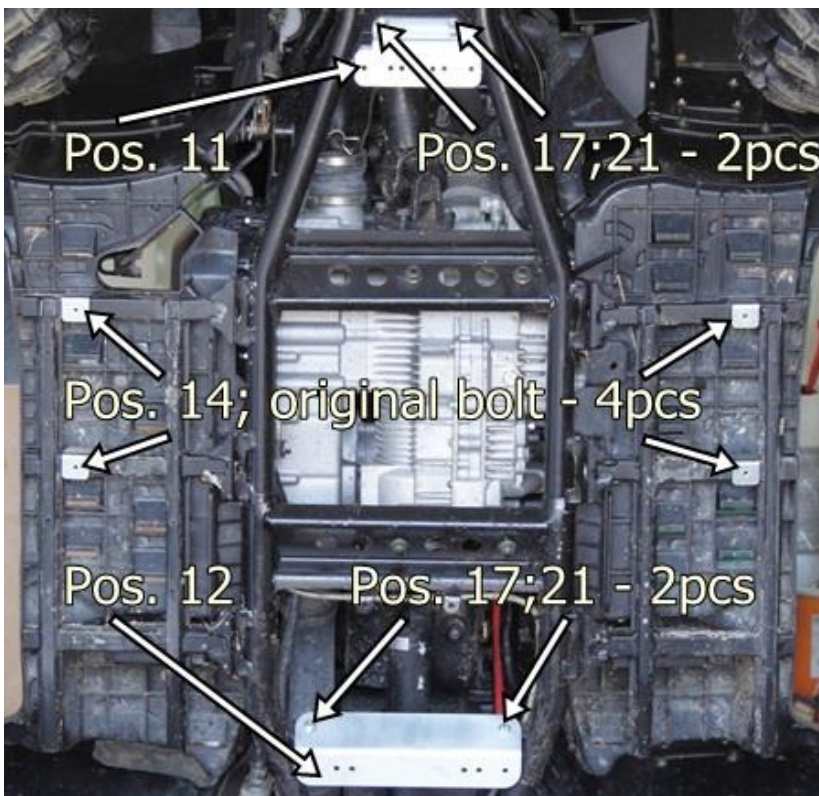


FITTING INSTRUCTIONS

Step 1 Remove all standard plastic covers.

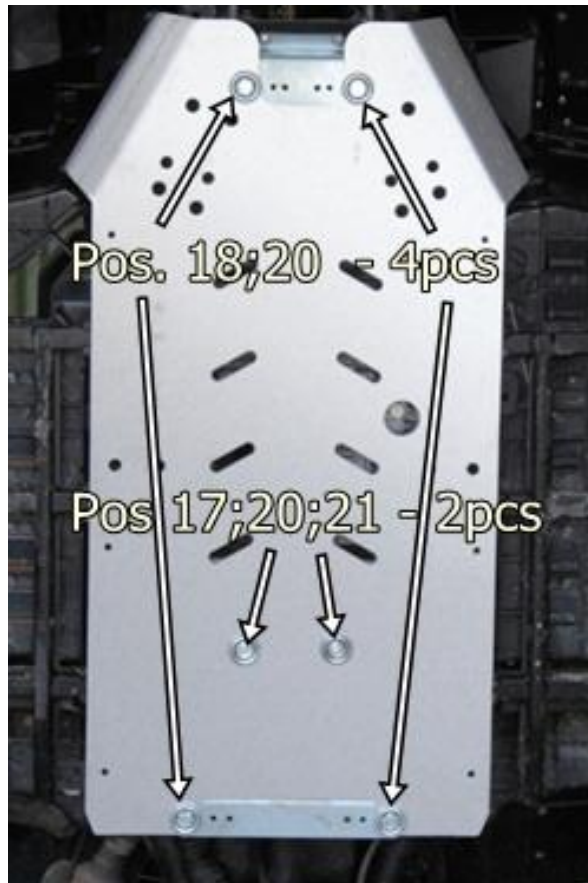


Step 2 Install clamp 02.5008+, brackets 02.1072+ and 02.6408.



Step 3

Install middle part 02.1073.



Step 4

Install plates 02.5006 to middle part.



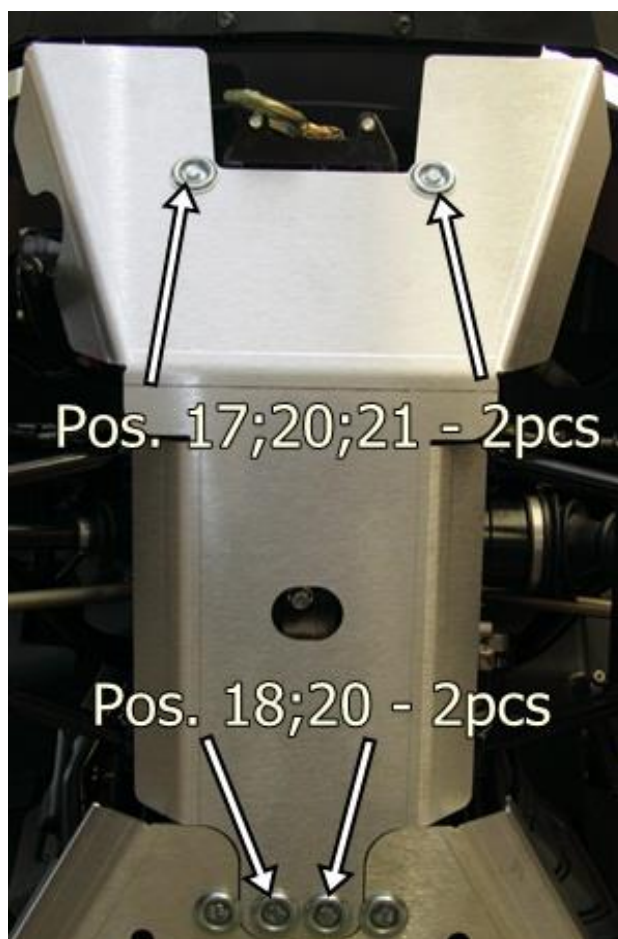
Step 5

Install side protections 02.1078PK, 02.1078VK.



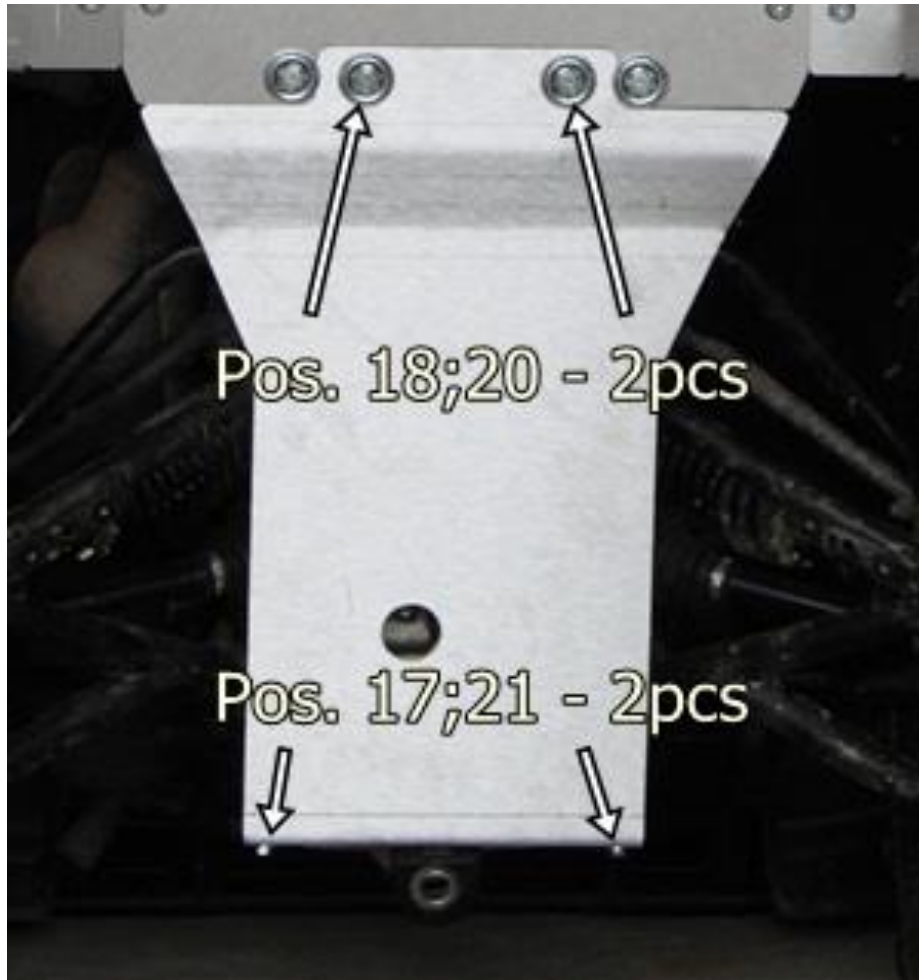
Step 6

Install front part 02.7902.



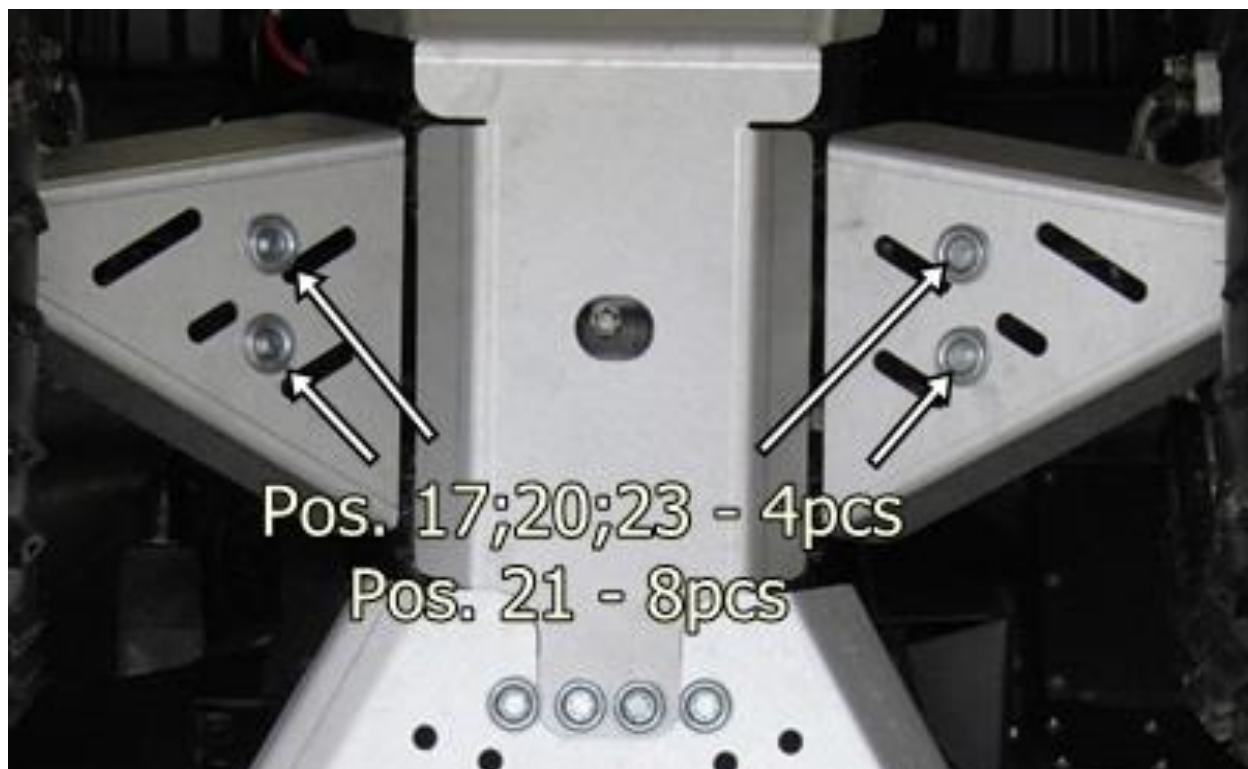
Step 7

Install rear part 02.1077.



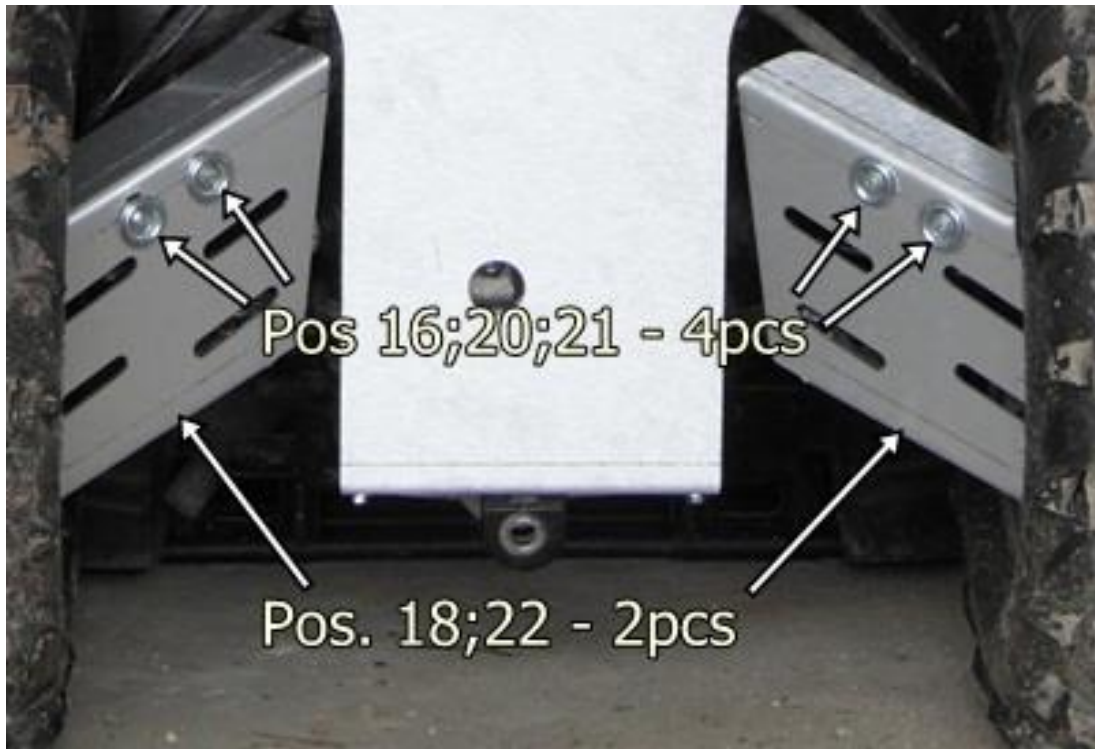
Step 8

Install front arms protections 02.1075P+, 02.1075V+.



Step 9

Install rear arms protections 02.1076P+, 02.1076V+, use clamps 03.1502.



IRON BALTIC

IRON BALTIC OÜ
Joa tee 17
Vääna 76903
Estonia / Europe

+372 6 533 711
sales@ironbaltic.com

www.ironbaltic.com
www.facebook.com/ironbaltic
www.youtube.com/user/ironbalticLtd

