

# IRON BALTIC

## ALUMINIUM SKID PLATE

# DINLI

## Centhor 700 L

Code 02.7200

Version 27102023

DOWNLOAD MULTILINGUAL  
USER MANUAL



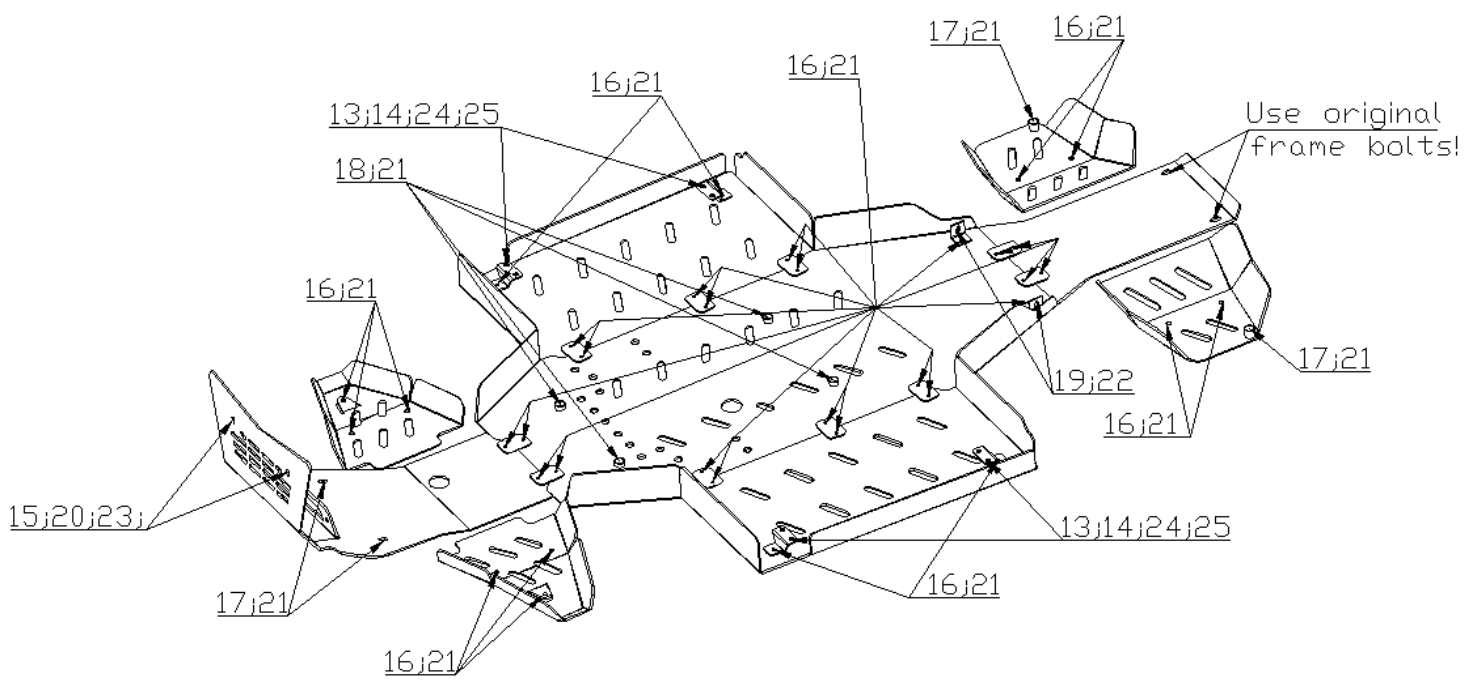
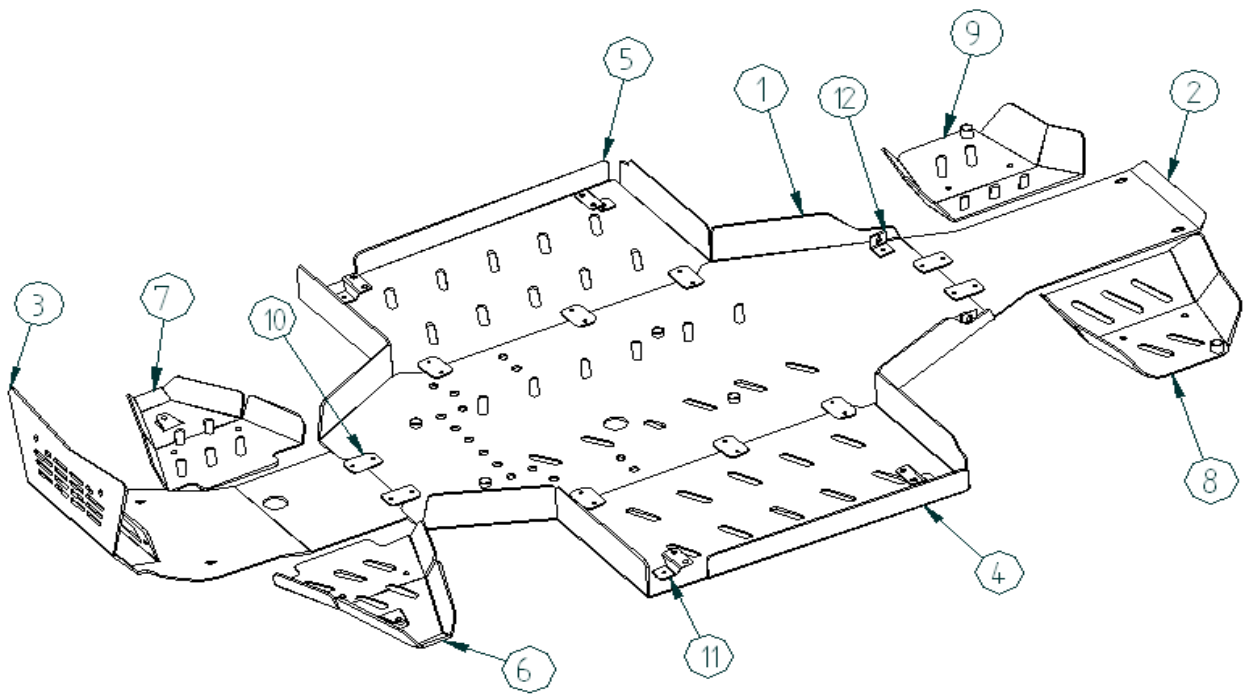
[code.ironbaltic.com/u/Yh0atR7d](https://code.ironbaltic.com/u/Yh0atR7d)

**Keep this manual for future reference!**

If you need any spare parts, please send this packaging data to your local dealer or to Iron Baltic  
[sales@ironbaltic.com](mailto:sales@ironbaltic.com)

# SPECIFICATION

Pos.	Description	Code	Amount
1	Skid plate	02.7201K	1
2	Rear protection	02.7202	1
3	Front protection	02.7203K	1
4	Side protection, left	02.7205	1
5	Side protection, right	02.7204	1
6	Front left arm protection	02.1984	1
7	Front right arm protection	02.1983	1
8	Rear left arm protection	02.4402K	1
9	Rear right arm protection	02.4401K	1
10	Plate	02.5006	10
11	Bracket	02.6507	4
12	Angle M6	02.1504	2
13	Bracket 28mm	OT.05.04.010	4
14	U-clamp 28mm	OT.05.01.010	4
15	Bracket ½"	Wuerth ½"	2
16	Bolt M6x16 DIN 7991	OT.02.04.020	36
17	Bolt M6x25 DIN 7991	OT.02.04.040	4
18	Bolt M6x30 DIN 7991	OT.02.04.050	4
19	Bolt M6x20 DIN 933	OT.02.02.060	2
20	Bolt M8x25 DIN 7991	OT.02.04.160	2
21	Conical washer Ø6	14.502	44
22	Washer Ø6/18 DIN 9021	OT.04.02.020	2
23	Conical washer Ø8	14.501	2
24	Washer Ø8/20 SFS 3738	OT.04.03.030	8
25	Nut M8 Nyloc DIN 985	OT.03.02.040	8

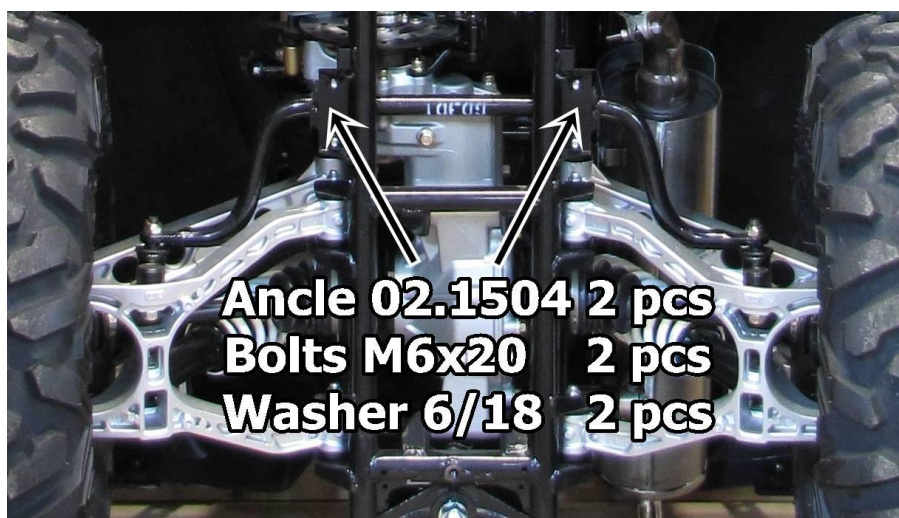


# FITTING INSTRUCTIONS

**Step 1** Remove all standard plastic covers.

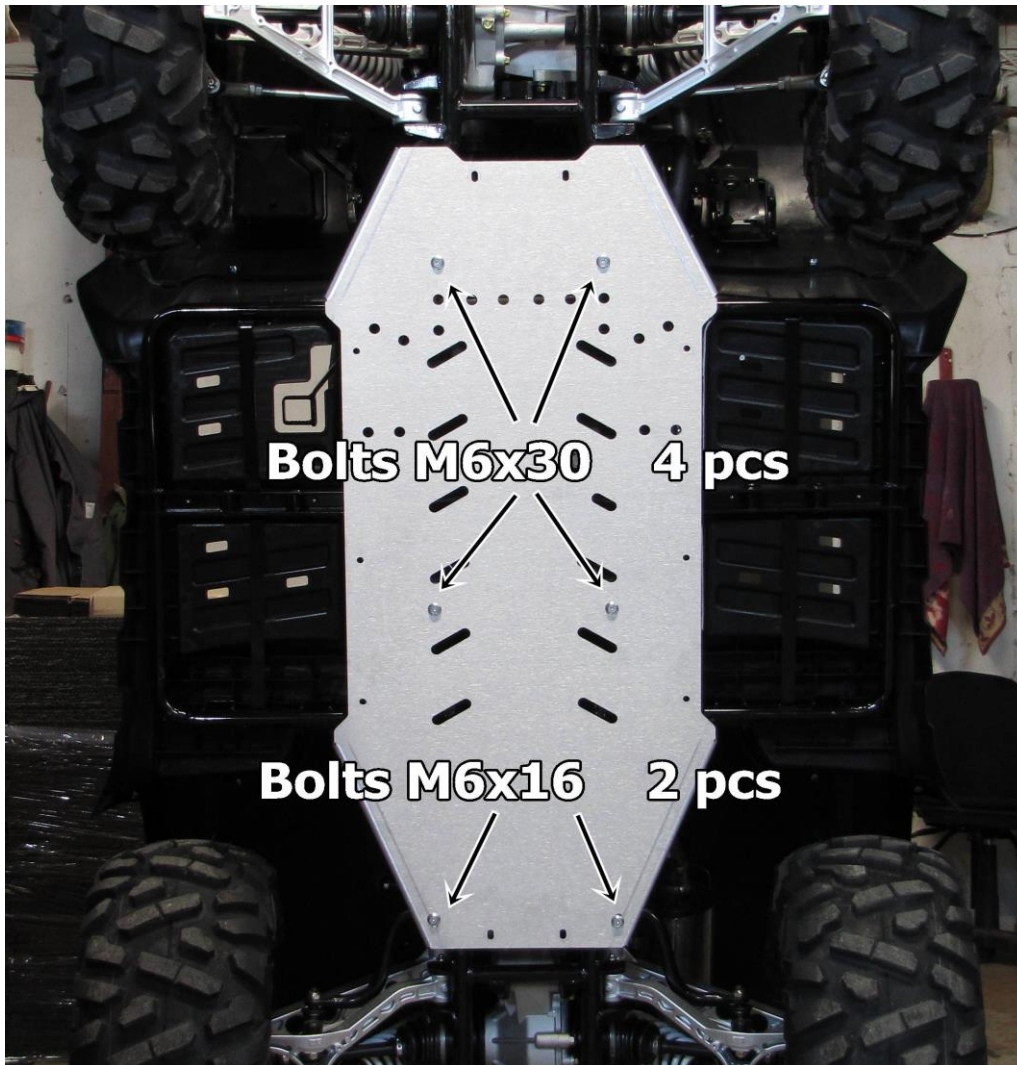


**Step 2** Install angles 02.1504, use bolts M6x20 and washers  $\varnothing 6$ .



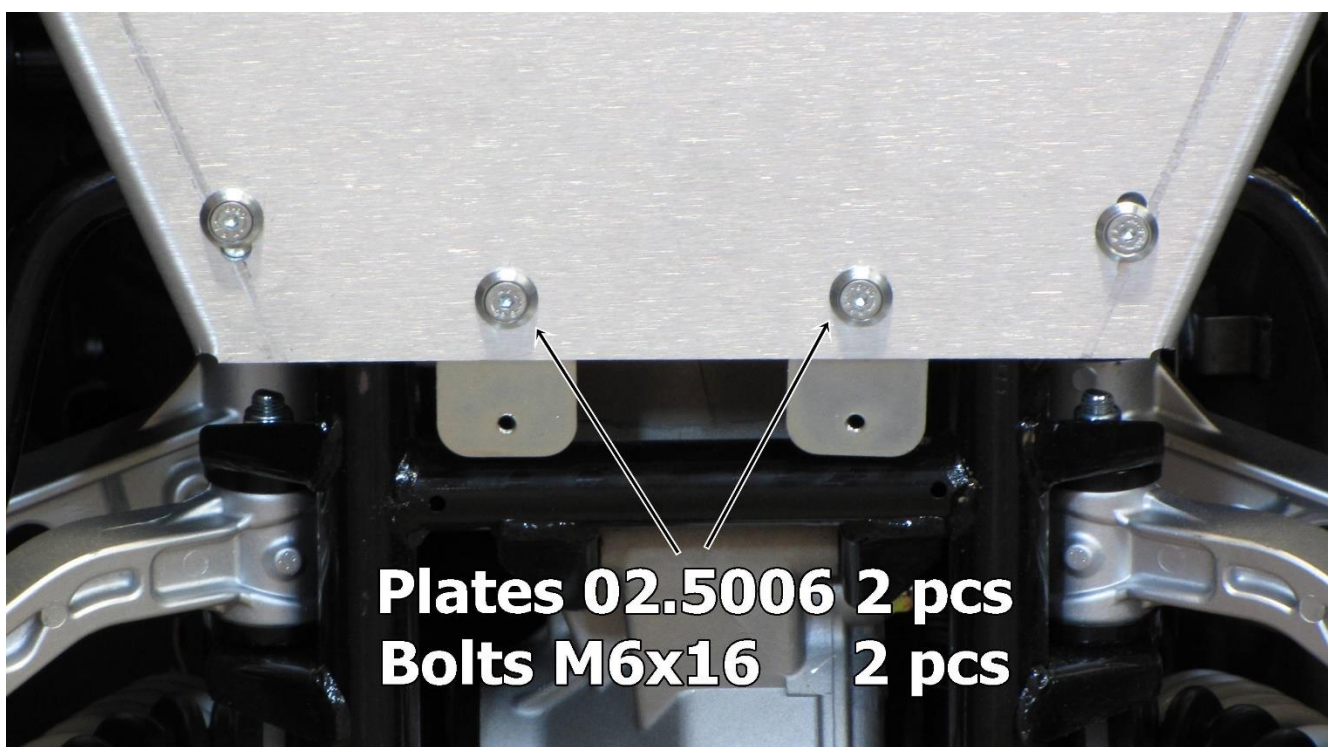
### Step 3

Install skid plate, use bolts M6x16 and M6x30.



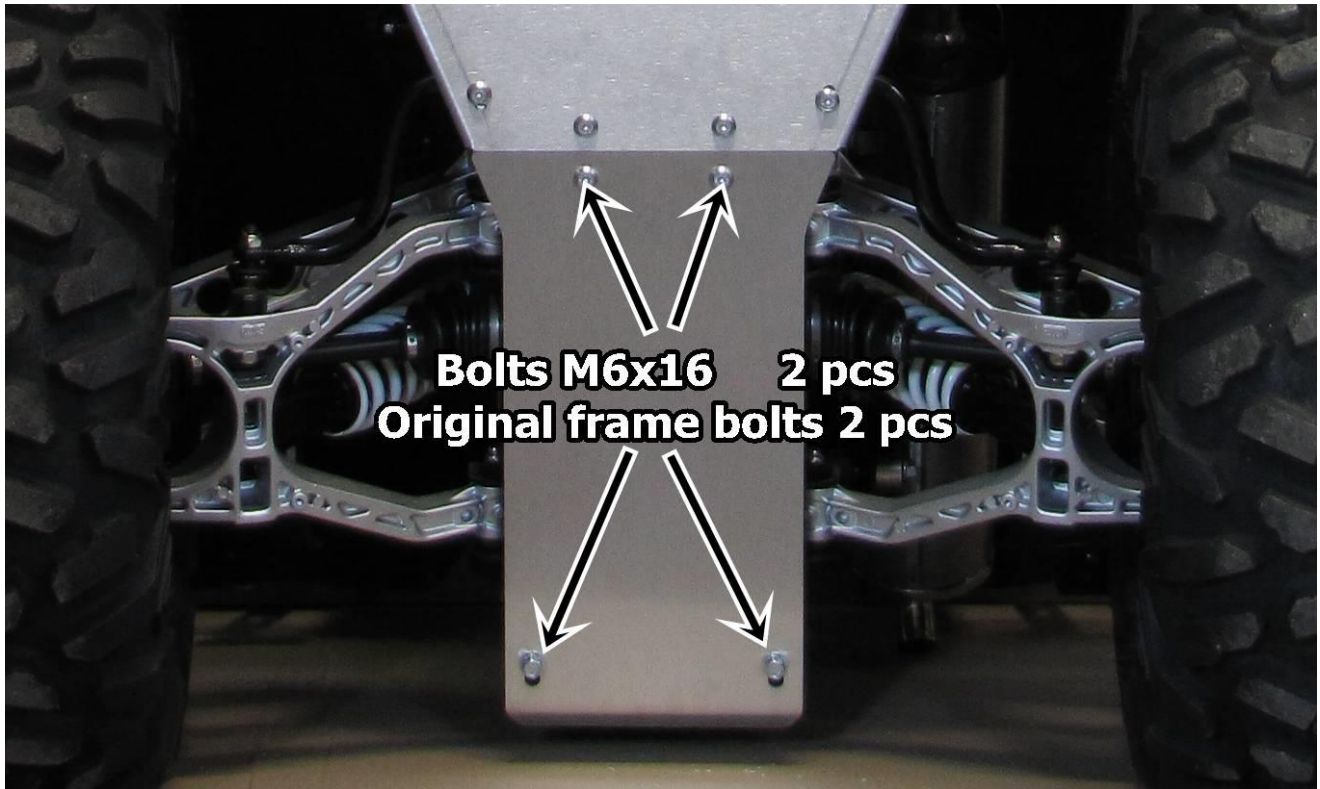
### Step 4

Install plates 02.5006, use bolts M6x16.



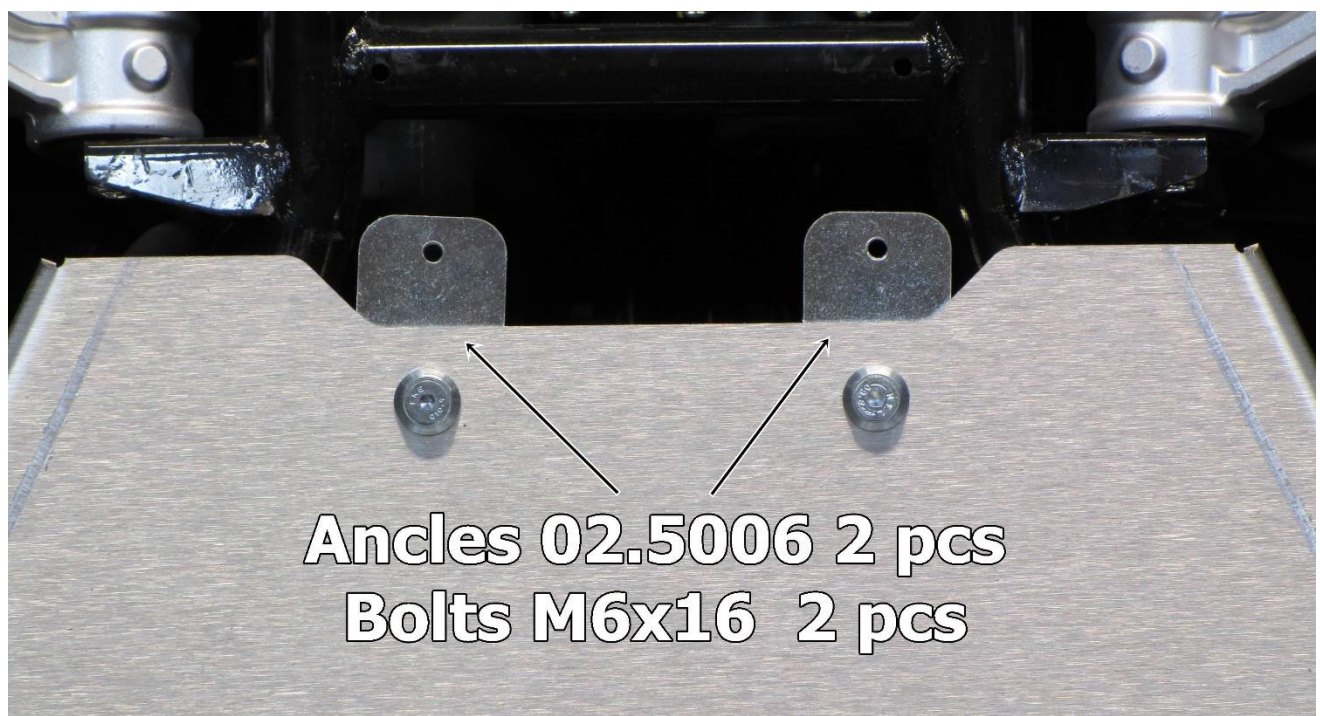
**Step 5**

Install rear part, use bolts M6x16 and original frame bolts.



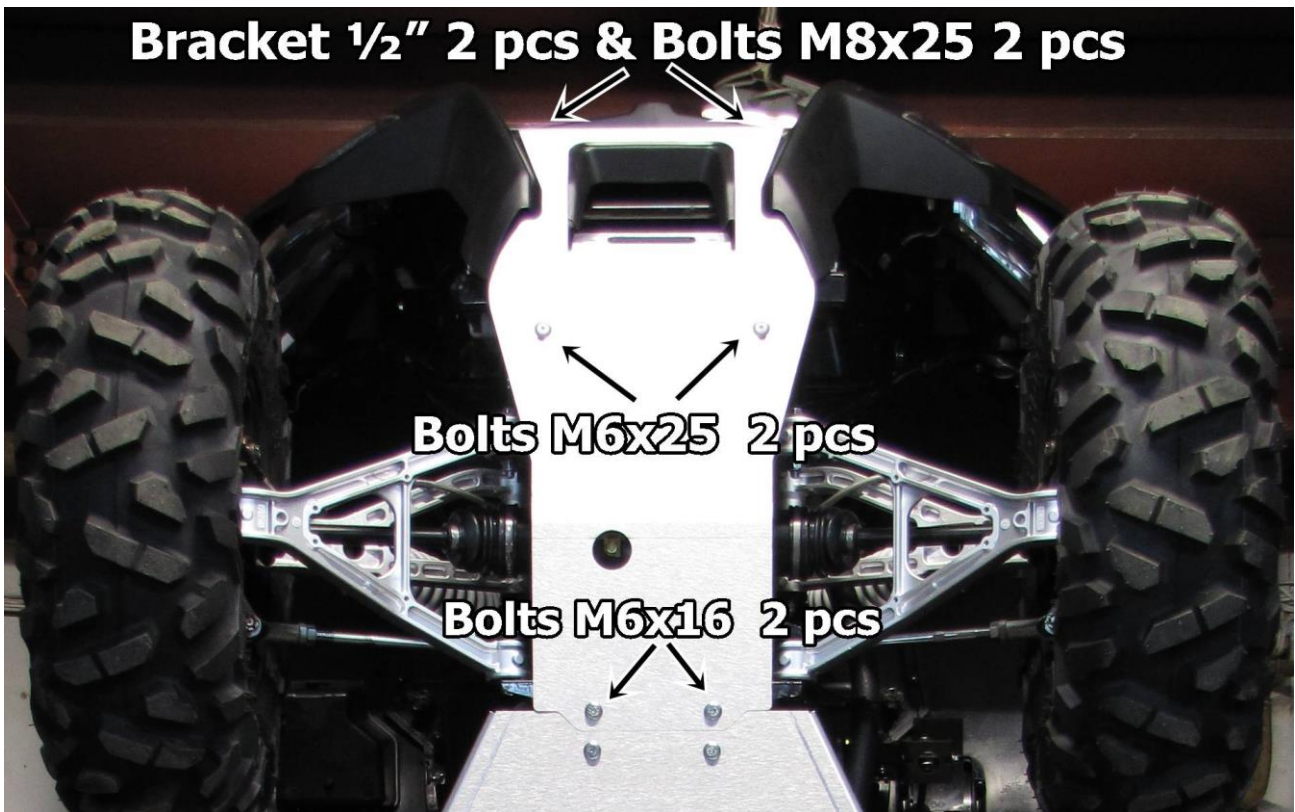
**Step 6**

Install plates 02.5006, use bolts M6x16.



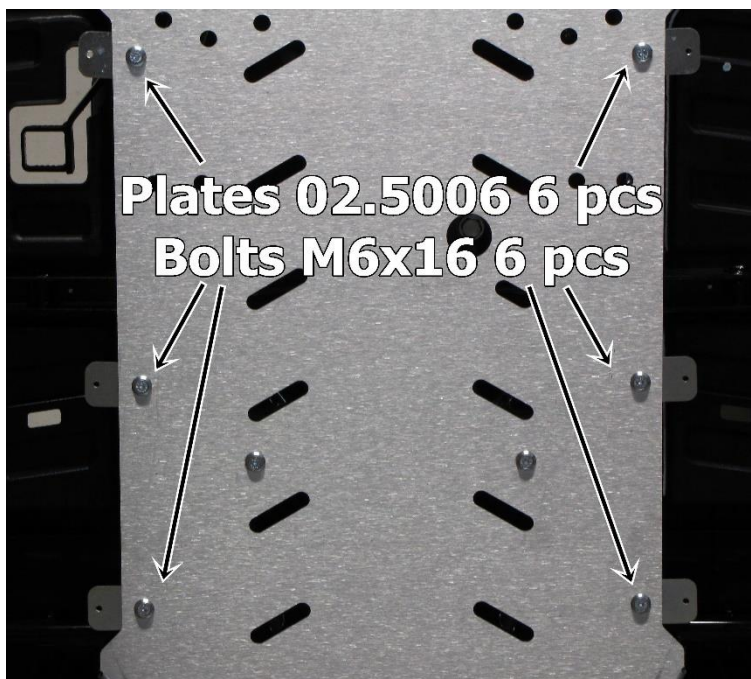
**Step 7**

Install front part, use bolts tube clamps 1/2", bolts M6x16, bolts M6x25 and bolts M8x25.



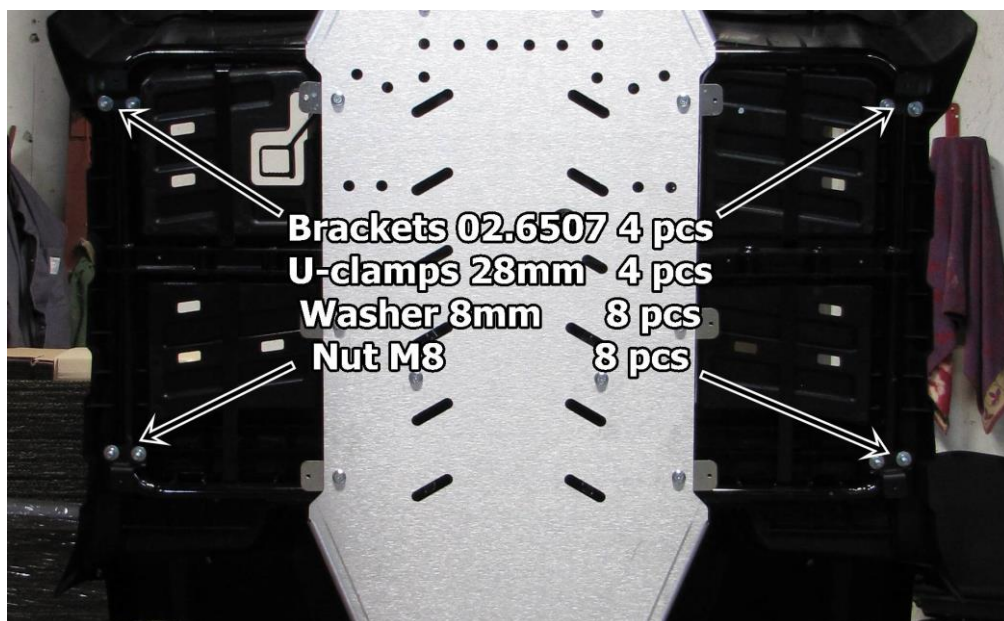
**Step 8**

Install plates 02.5006, use bolts M6x16.



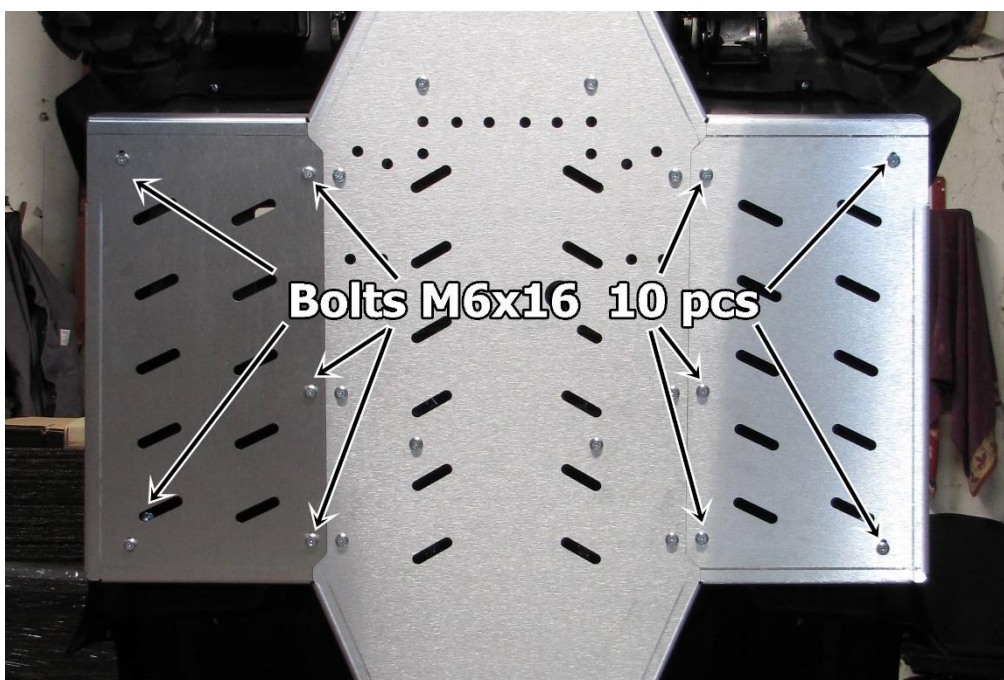
## Step 9

Install brackets 02.6507, use clamps 28mm, U-clamps 28mm, washers  $\varnothing 8$  and nuts M8 nyloc.



## Step 10

Install side protections, use bolts M6x16.



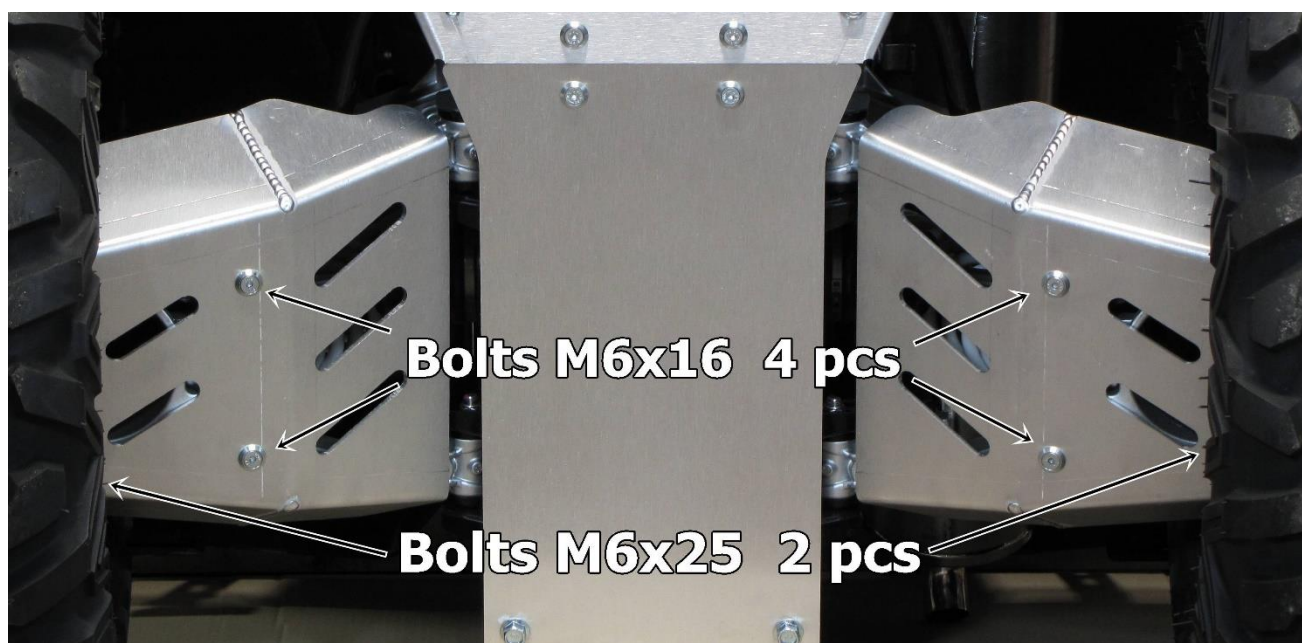
**Step 11**

Install front A-arms protections, use bolts M6x16.



**Step 12**

Install rear A-arms protections, use bolts M6x16 and bolts M6x25.







# IRON BALTIC

IRON BALTIC OÜ  
Joa tee 17  
Vääna 76903  
Estonia / Europe

+372 6 533 711  
[sales@ironbaltic.com](mailto:sales@ironbaltic.com)

[www.ironbaltic.com](http://www.ironbaltic.com)  
[www.facebook.com/ironbaltic](https://www.facebook.com/ironbaltic)  
[www.youtube.com/user/ironbalticLtd](https://www.youtube.com/user/ironbalticLtd)

