

# IRON BALTIC

## ALUMINIUM SKID PLATE

# DINLI

## Centhor 800 Evolution

Code 02.6500

Version 27102023

DOWNLOAD MULTILINGUAL  
USER MANUAL



[code.ironbaltic.com/u/2DVeKqsy](https://code.ironbaltic.com/u/2DVeKqsy)

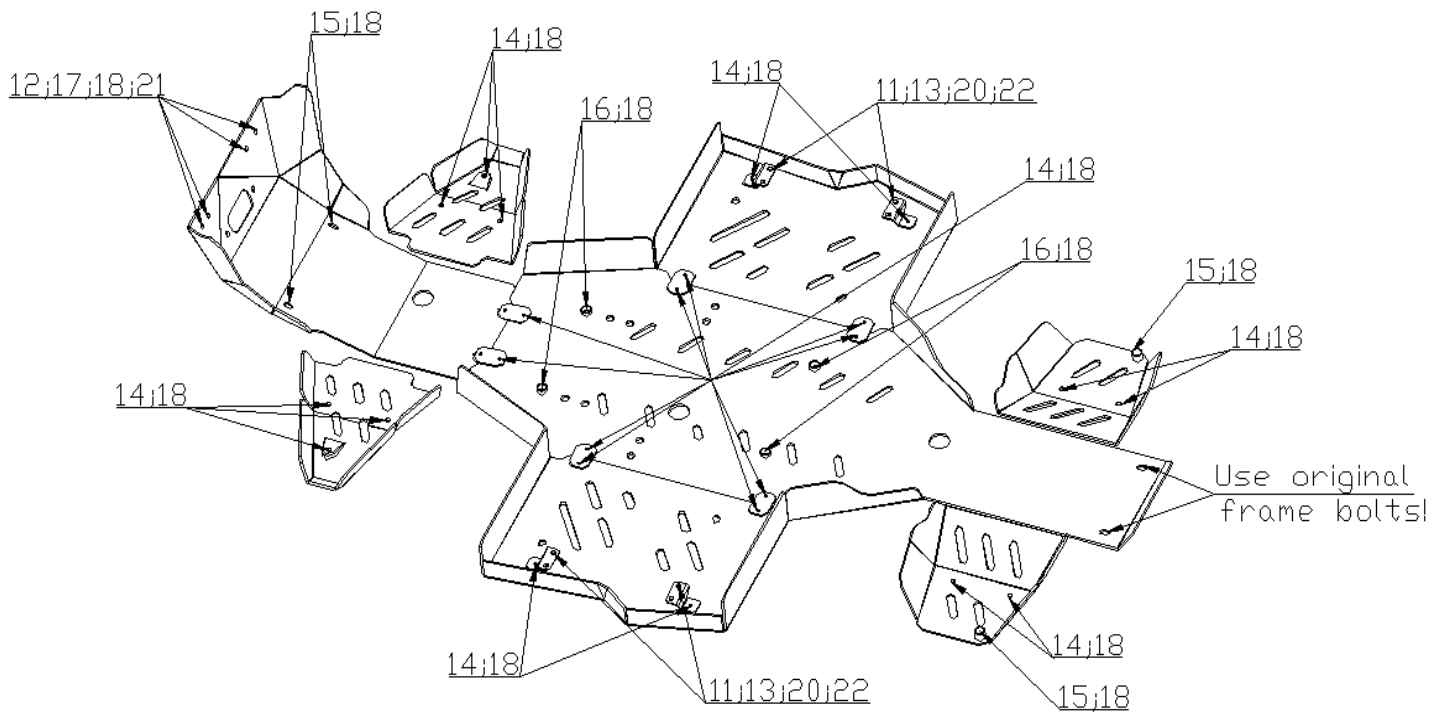
**Keep this manual for future reference!**

If you need any spare parts, please send this packaging data to your local dealer or to Iron Baltic  
[sales@ironbaltic.com](mailto:sales@ironbaltic.com)

Iron Baltic Ltd | +372 653 3711 | [sales@ironbaltic.com](mailto:sales@ironbaltic.com) | [www.ironbaltic.com](http://www.ironbaltic.com)

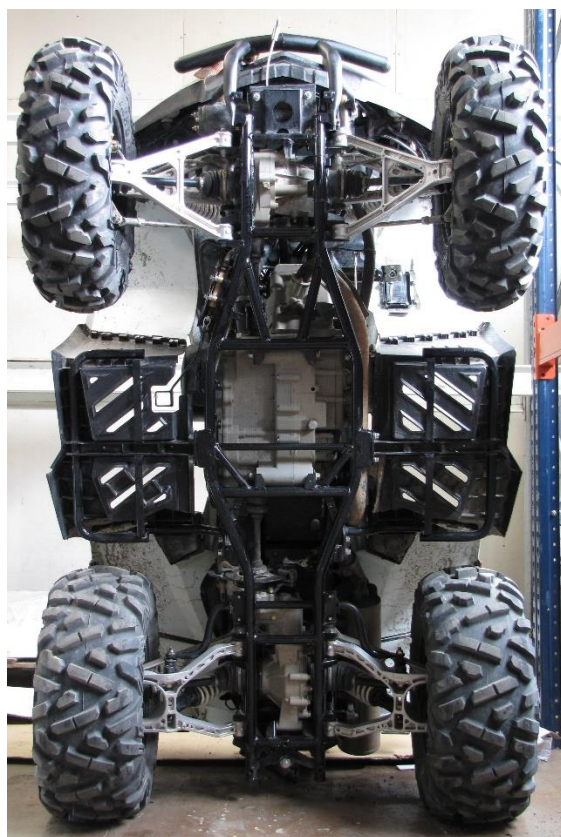
# SPECIFICATION

Pos.	Description	Code	Amount
1	Skid plate	02.6501K	1
2	Front protection	02.6502	1
3	Side protection, left	02.6504K	1
4	Side protection, right	02.6503K	1
5	Front left arm protection	02.1984	1
6	Front right arm protection	02.1983	1
7	Rear left arm protection	02.4402	1
8	Rear right arm protection	02.4401	1
9	Plate	02.5006	6
10	Bracket	02.6507	4
11	Bracket 28mm	OT.05.04.010	4
12	Bracket 32mm	OT.05.04.020	2
13	U-clamp 28mm	OT.05.01.010	4
14	Bolt M6x16 DIN 7991	OT.02.04.020	26
15	Bolt M6x25 DIN 7991	OT.02.04.040	4
16	Bolt M6x30 DIN 7991	OT.02.04.050	4
17	Bolt M6x60 DIN 933	OT.02.02.140	4
18	Conical washer Ø6	14.502	34
19	Washer Ø6/18 DIN 9021	OT.04.02.020	8
20	Washer Ø8/20 SFS 3738	OT.04.03.030	8
21	Nut M6 Nyloc DIN 985	OT.03.02.030	4
22	Nut M8 Nyloc DIN 985	OT.03.02.040	8

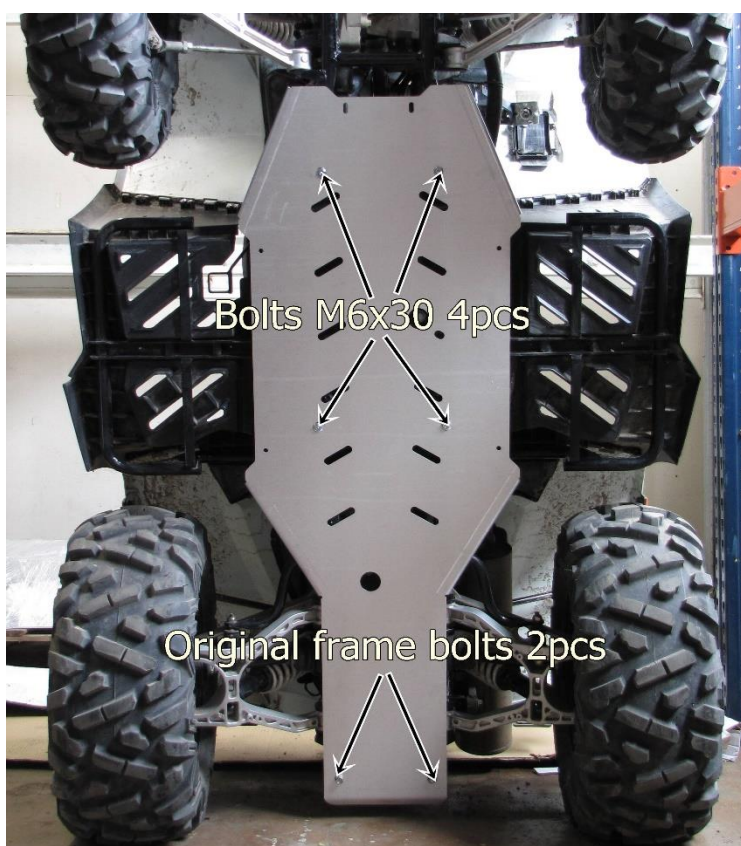


# FITTING INSTRUCTIONS

**Step 1** Remove all standard plastic covers.

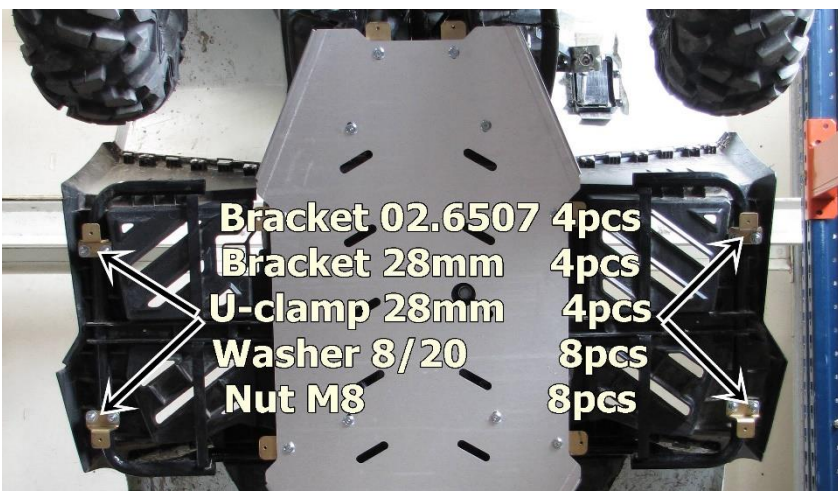


**Step 2** Instal skid plate, use bolts M6x30 and original frame bolts.



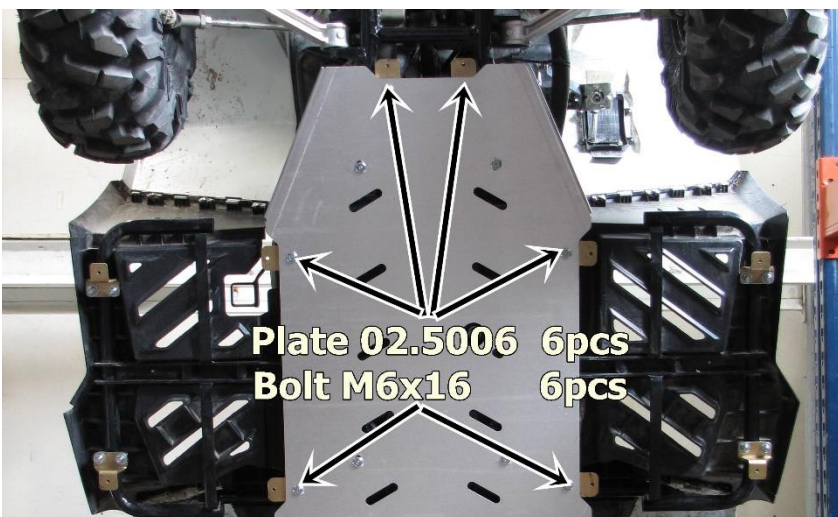
### Step 3

Instal brackets 02.6507, use clamps 28mm, U-clamps 28mm, washers  $\varnothing 8$  and nuts M8 nyloc.



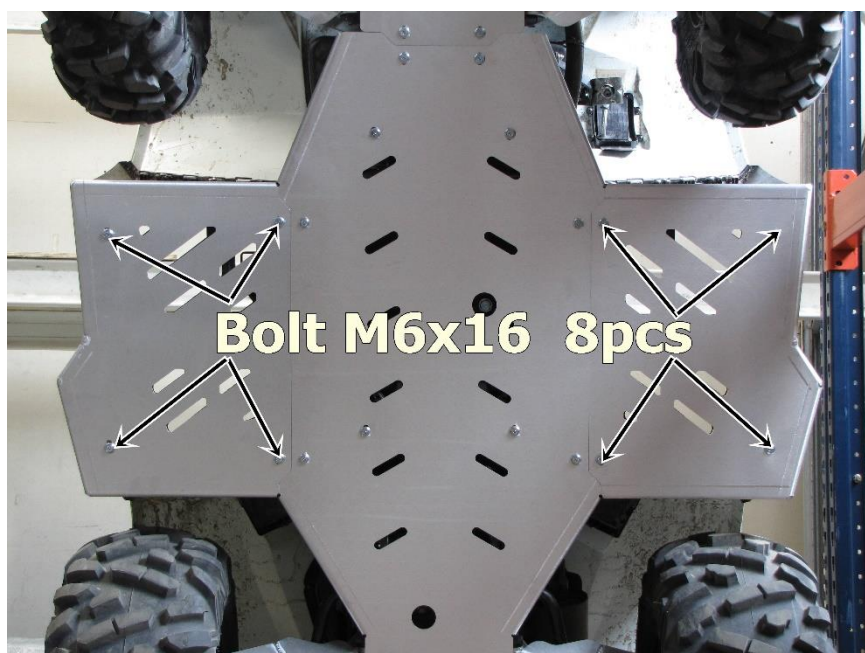
### Step 4

Instal plates 02.5006, use bolts M6x16.



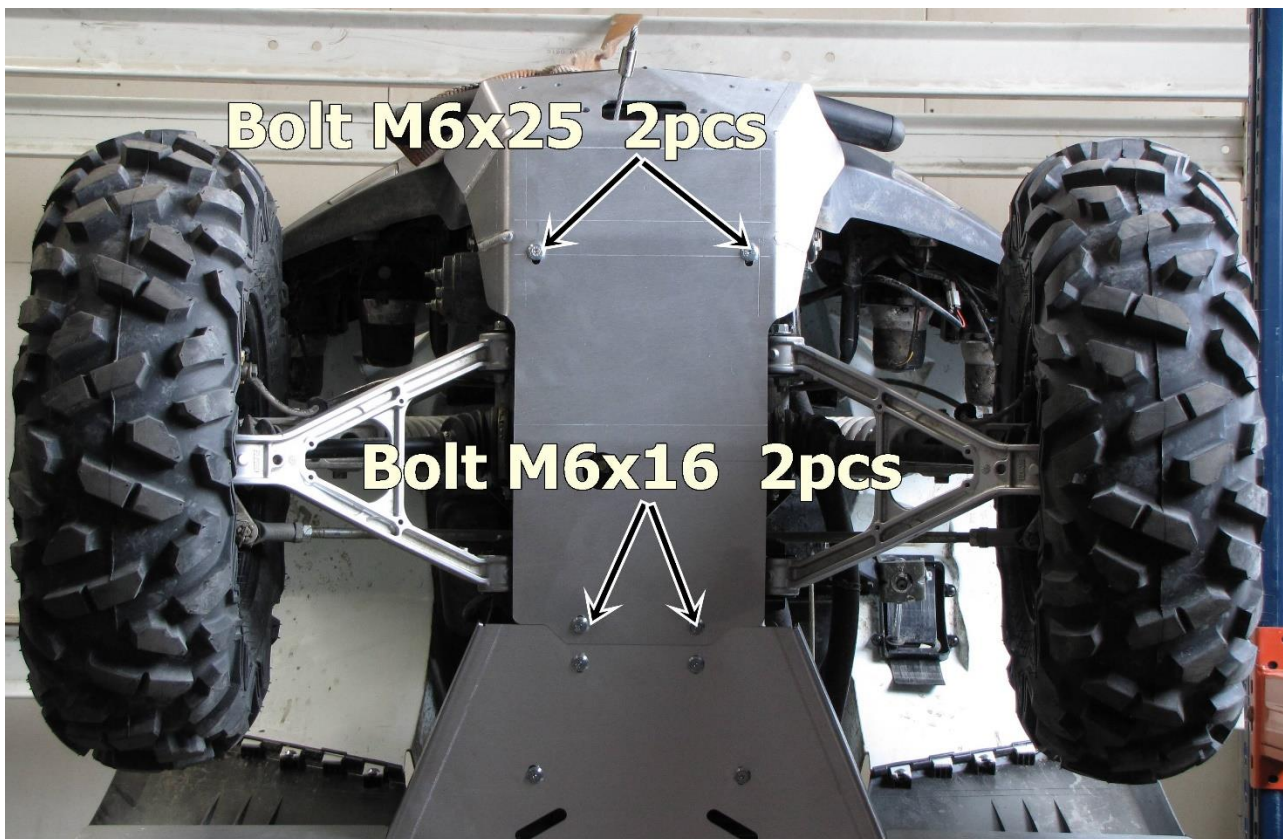
### Step 5

Instal side protections, use bolts M6x16.



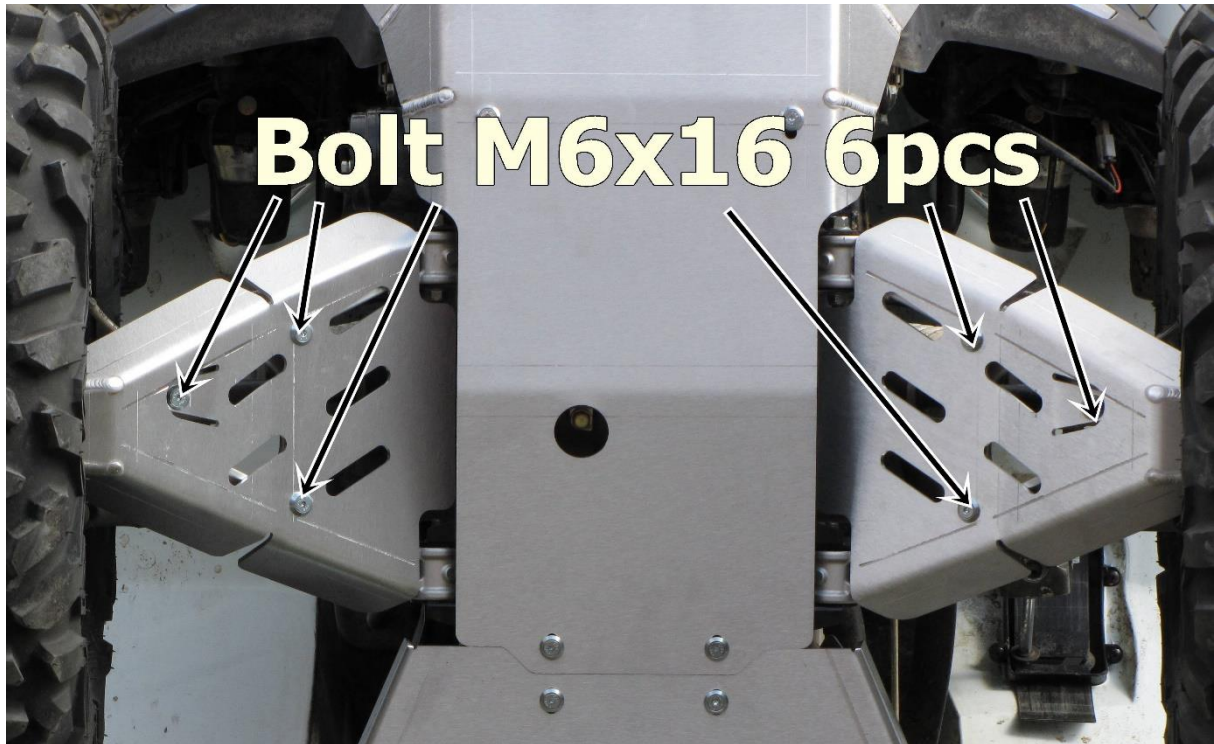
**Step 6**

Instal front part, use brackets 32mm, bolts M6x16, bolts M6x25, bolts M6x60, washers  $\varnothing 6$  and nuts M6 Nyloc.



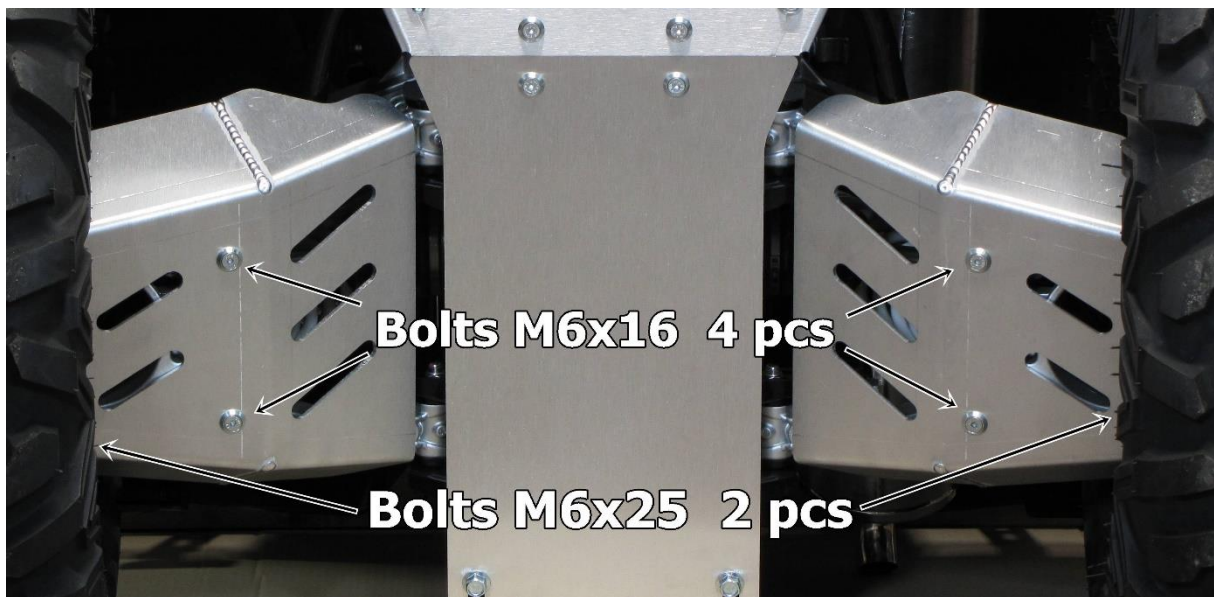
**Step 7**

Instal front A-arms protections, use bolts M6x16.



**Step 8**

Instal rear A-arms protections, use bolts M6x16 and bolts M6x25.



# IRON BALTIC

IRON BALTIC OÜ  
Joa tee 17  
Vääna 76903  
Estonia / Europe

+372 6 533 711  
[sales@ironbaltic.com](mailto:sales@ironbaltic.com)

[www.ironbaltic.com](http://www.ironbaltic.com)  
[www.facebook.com/ironbaltic](https://www.facebook.com/ironbaltic)  
[www.youtube.com/user/ironbalticLtd](https://www.youtube.com/user/ironbalticLtd)

