

# IRON BALTIC

DOWNLOAD MULTILINGUAL  
USER MANUAL



[code.ironbaltic.com/u/dVP4CzfG](https://code.ironbaltic.com/u/dVP4CzfG)

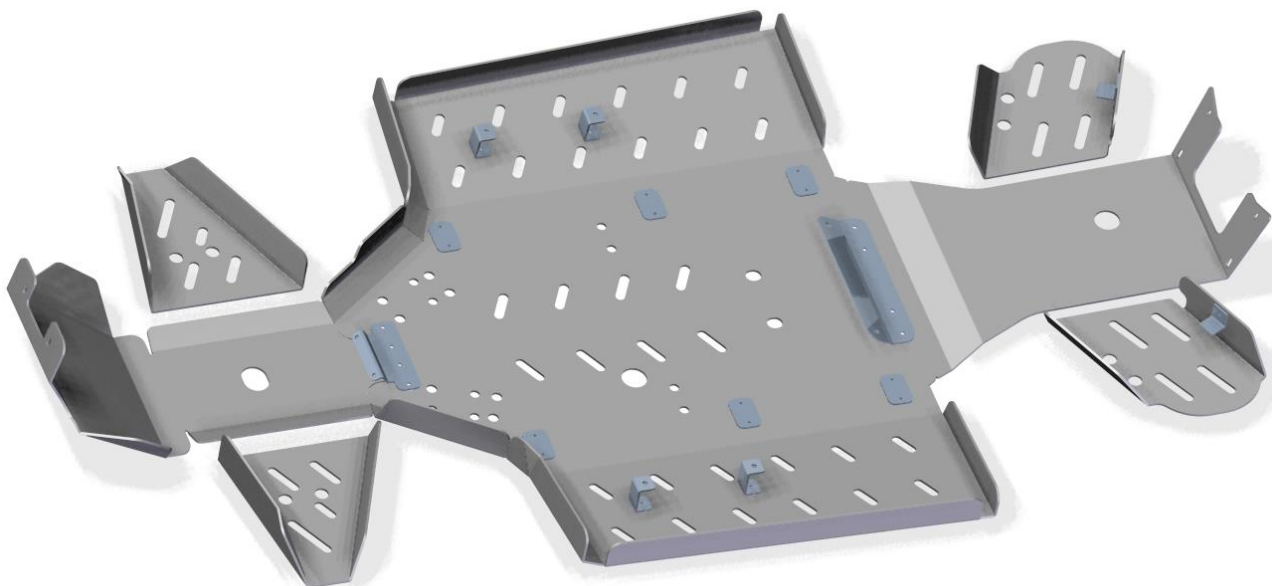
## ALUMINIUM SKID PLATE

# CF MOTO

## X5A / X6A

Code 02.6100

Version 26102023

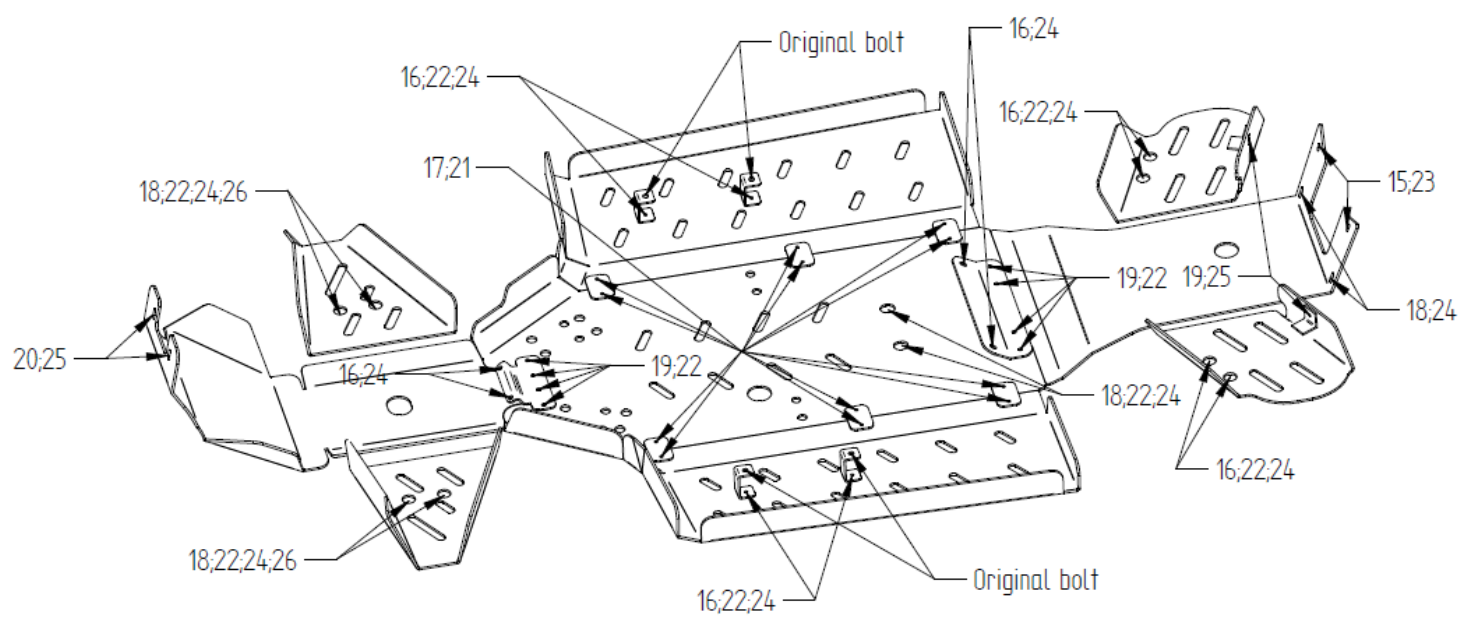
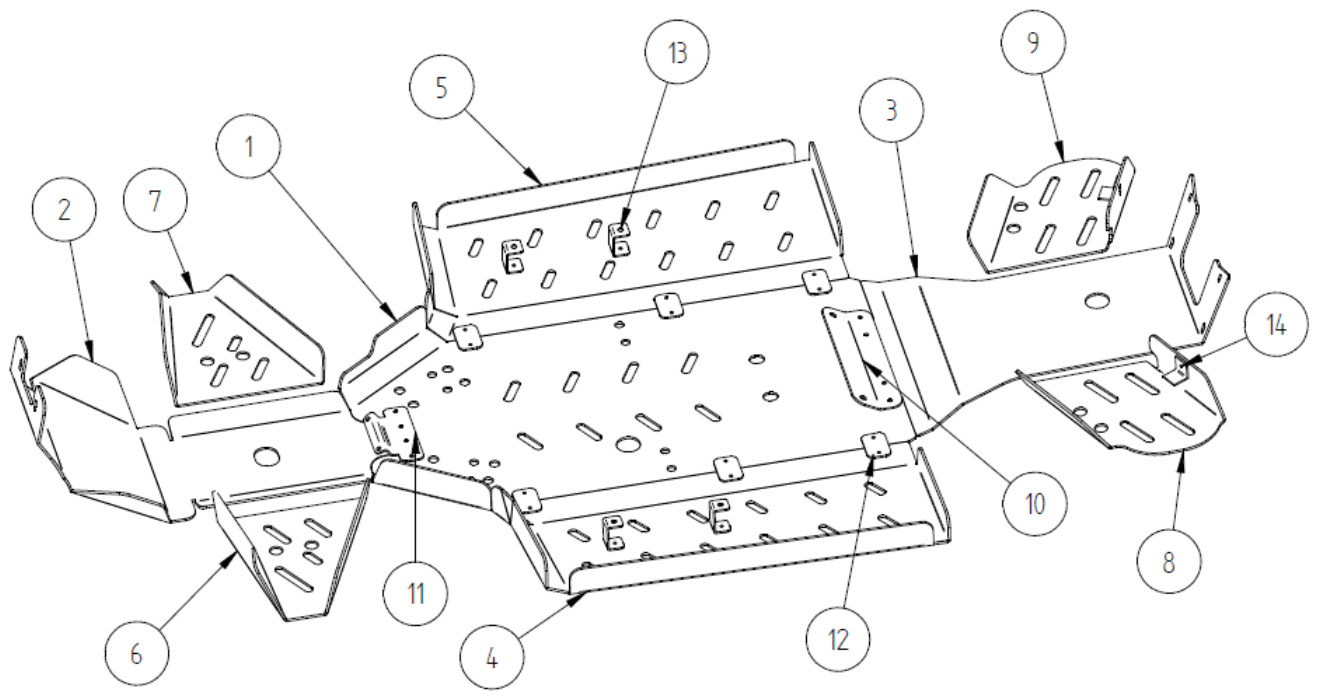


**Keep this manual for future reference!**

If you need any spare parts, please send this packaging data to your local dealer or to Iron Baltic  
[sales@ironbaltic.com](mailto:sales@ironbaltic.com)

# SPECIFICATION

Pos.	Description	Code	Amount
1	Middle part	02.5001	1
2	Front part	02.6102	1
3	Rear part	02.5003	1
4	Left side protection	02.6105K	1
5	Right side protection	02.6104K	1
6	Front left arm protection	02.1075V+	1
7	Front right arm protection	02.1075P+	1
8	Rear left arm protection	02.1076V+	1
9	Rear right arm protection	02.1076P+	1
10	Installation plate	02.5008+	1
11	Installation plate	02.1072+	1
12	Plate	02.5006	6
13	Bracket	02.6408	4
14	Angle	03.1502	2
15	Screw 3,5x22 DIN7981	OT.01.02.004	2
16	Bolt M6x12 DIN 933	OT.02.02.030	12
17	Bolt M6x16 DIN 7991	OT.02.04.020	12
18	Bolt M6x20 DIN 933	OT.02.02.060	8
19	Bolt M8x16 DIN 933	OT.02.02.170	10
20	Bolt M8x20 DIN 933	OT.02.02.180	2
21	Conical washer Ø6	14.502	12
22	Dished washer	14.503	22
23	Washer Ø5/15 DIN 9021	OT.04.02.010	2
24	Washer Ø6/15 SFS 3738	OT.04.03.020	24
25	Washer Ø8/20 SFS 3738	OT.04.03.030	4
26	Nyloc nut M6 DIN 985	OT.03.02.030	4

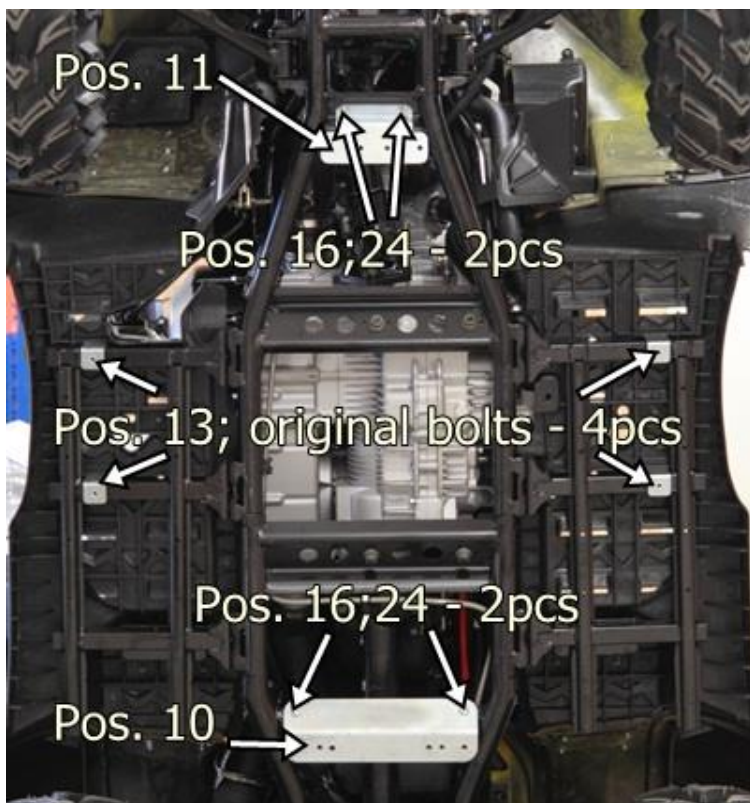


# FITTING INSTRUCTIONS

**Step 1** Remove all standard plastic covers and roller.



**Step 2** Install installation plates 02.1072+, 02.5008+ and 02.6408.



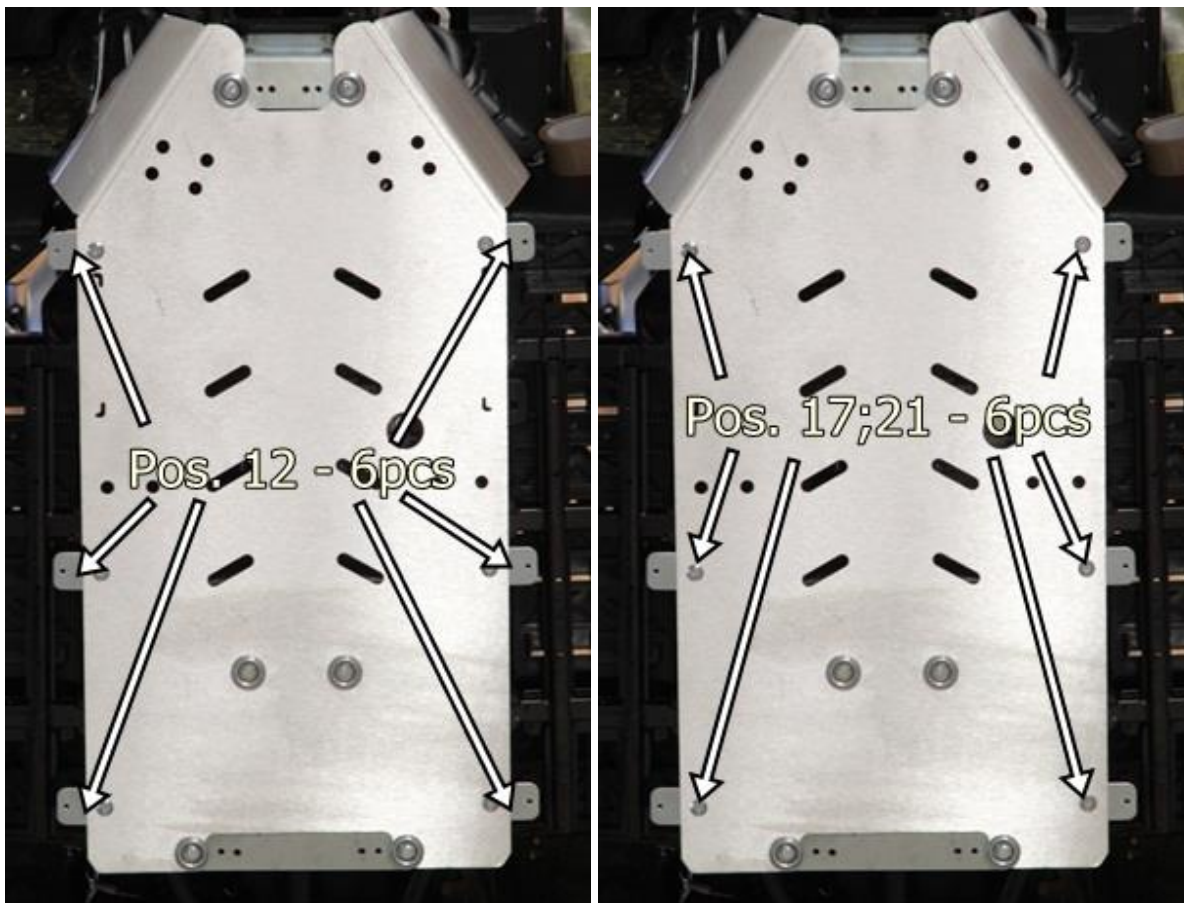
### Step 3

Install middle part 02.5001.



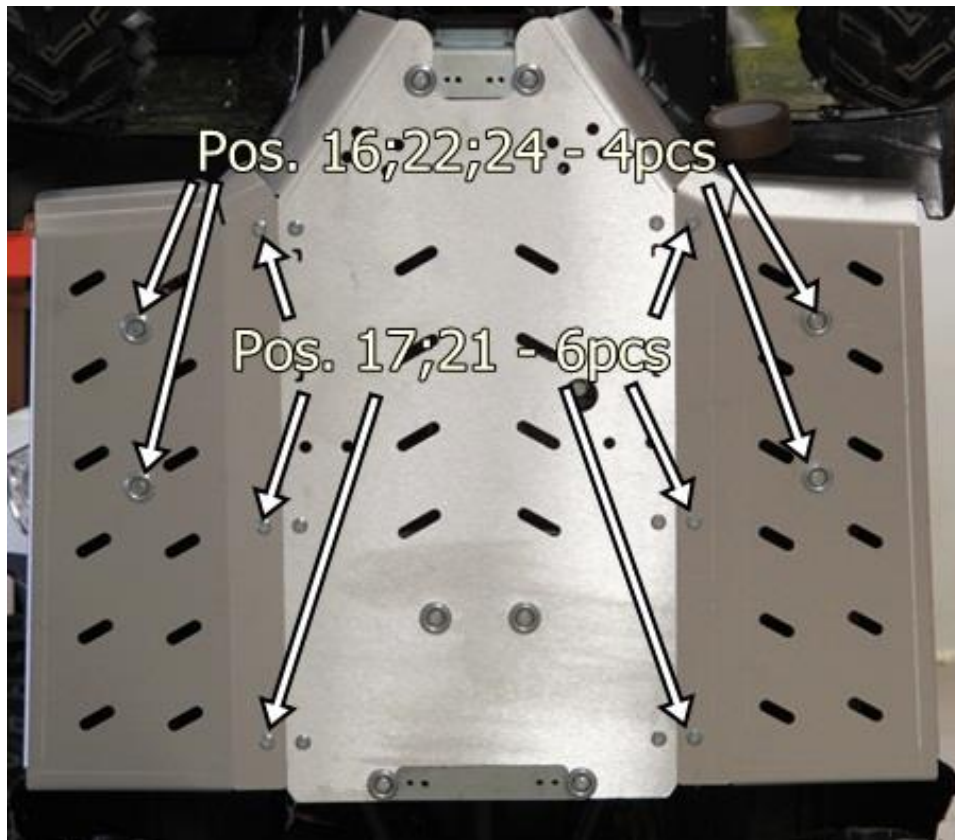
### Step 4

Install plates 02.5006.



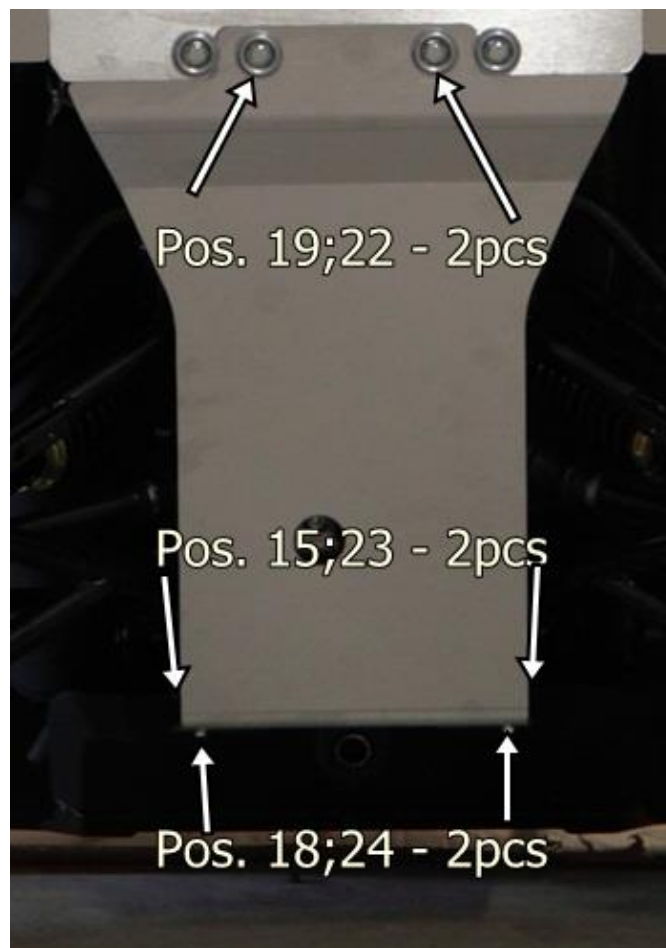
### Step 5

Install side protections 02.6104K, 02.6105K.



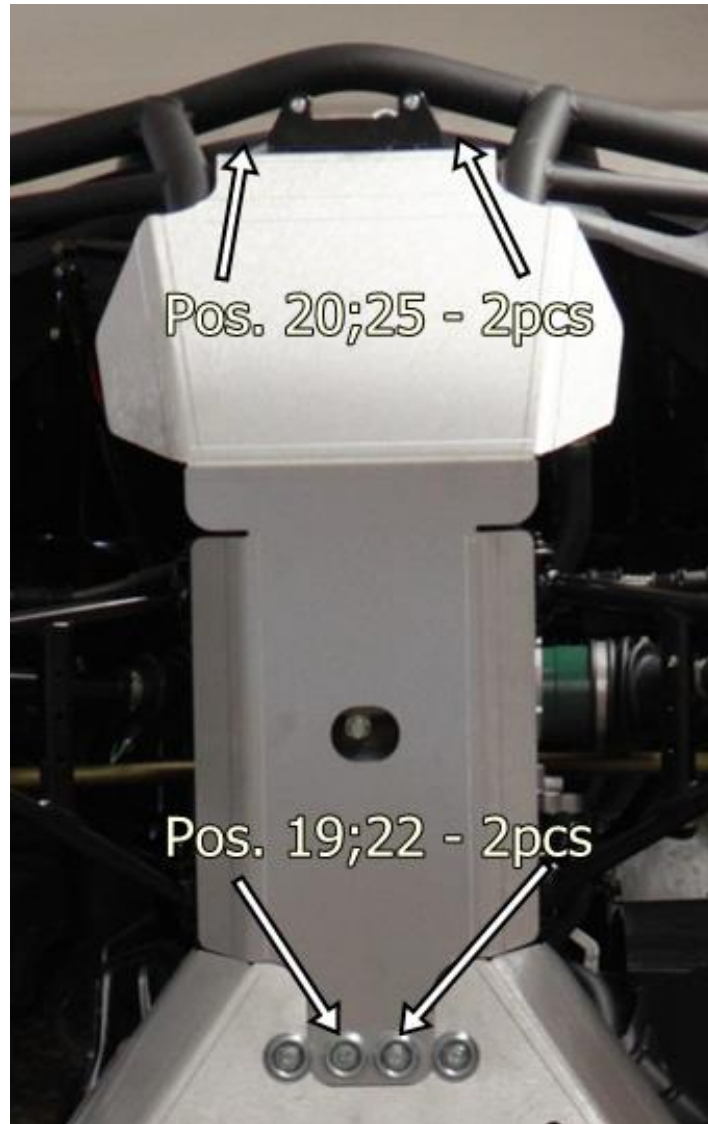
### Step 6

Install rear part 02.5003.



**Step 7**

Install front part 02.6102. Install roller back.



**Step 8**

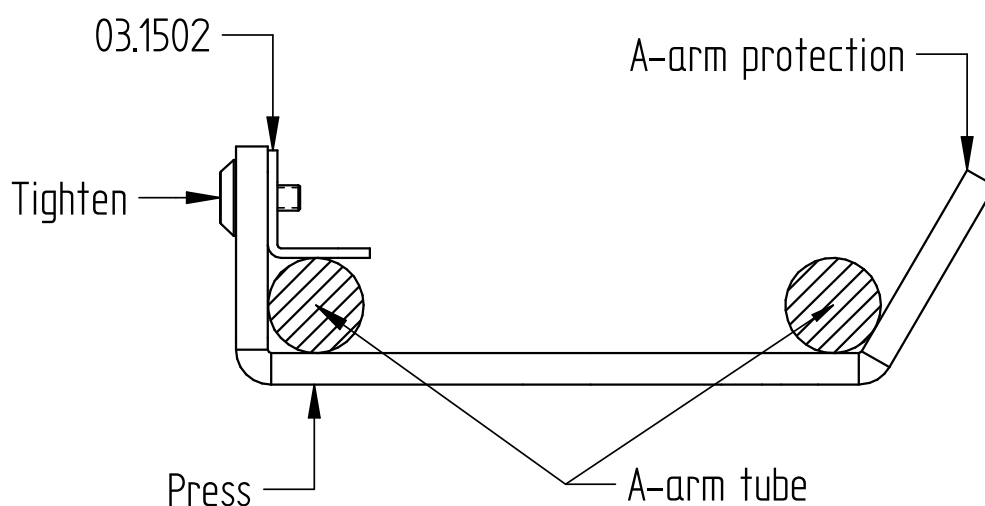
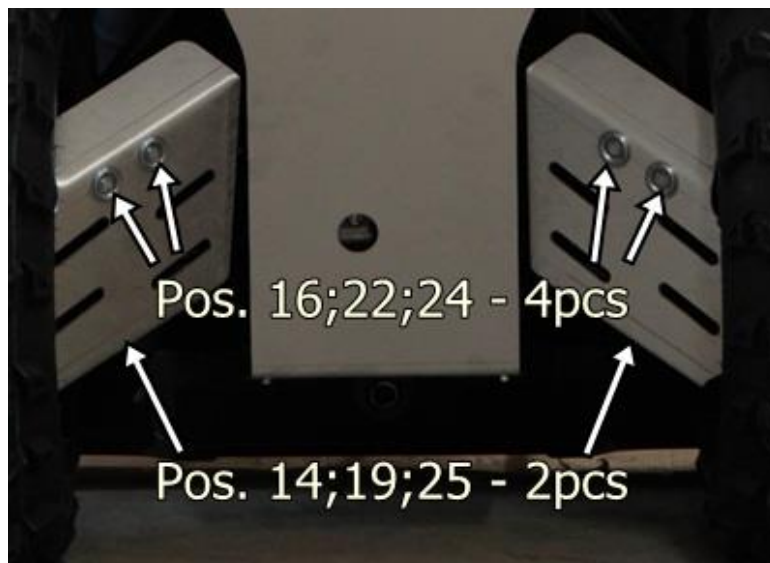
Install front arms protections 02.1075P+, 02.1075V+.



## Step 9

Install rear arms protections 02.1076P+, 02.1076V+.

First install the bracket 03.1502 (Pos.14) to the arm protection (do not tighten the bolt). Then place the protection on to the ATV's A-arm. Press the guard against the A-arm tube and tighten the bracket bolt so that the side of the bracket is against the A-arm tube. Finally, attach the other side of the A-arm protection.









# IRON BALTIC

IRON BALTIC OÜ  
Joa tee 17  
Vääna 76903  
Estonia / Europe

+372 6 533 711  
[sales@ironbaltic.com](mailto:sales@ironbaltic.com)

[www.ironbaltic.com](http://www.ironbaltic.com)  
[www.facebook.com/ironbaltic](https://www.facebook.com/ironbaltic)  
[www.youtube.com/user/ironbalticLtd](https://www.youtube.com/user/ironbalticLtd)

