

IRON BALTIC

PLASTIC SKID PLATE

DINLI

700 Centhor (model 2010)

Code 02.4500

Version 22102023

DOWNLOAD MULTILINGUAL
USER MANUAL



code.ironbaltic.com/u/hQ6UhhnR

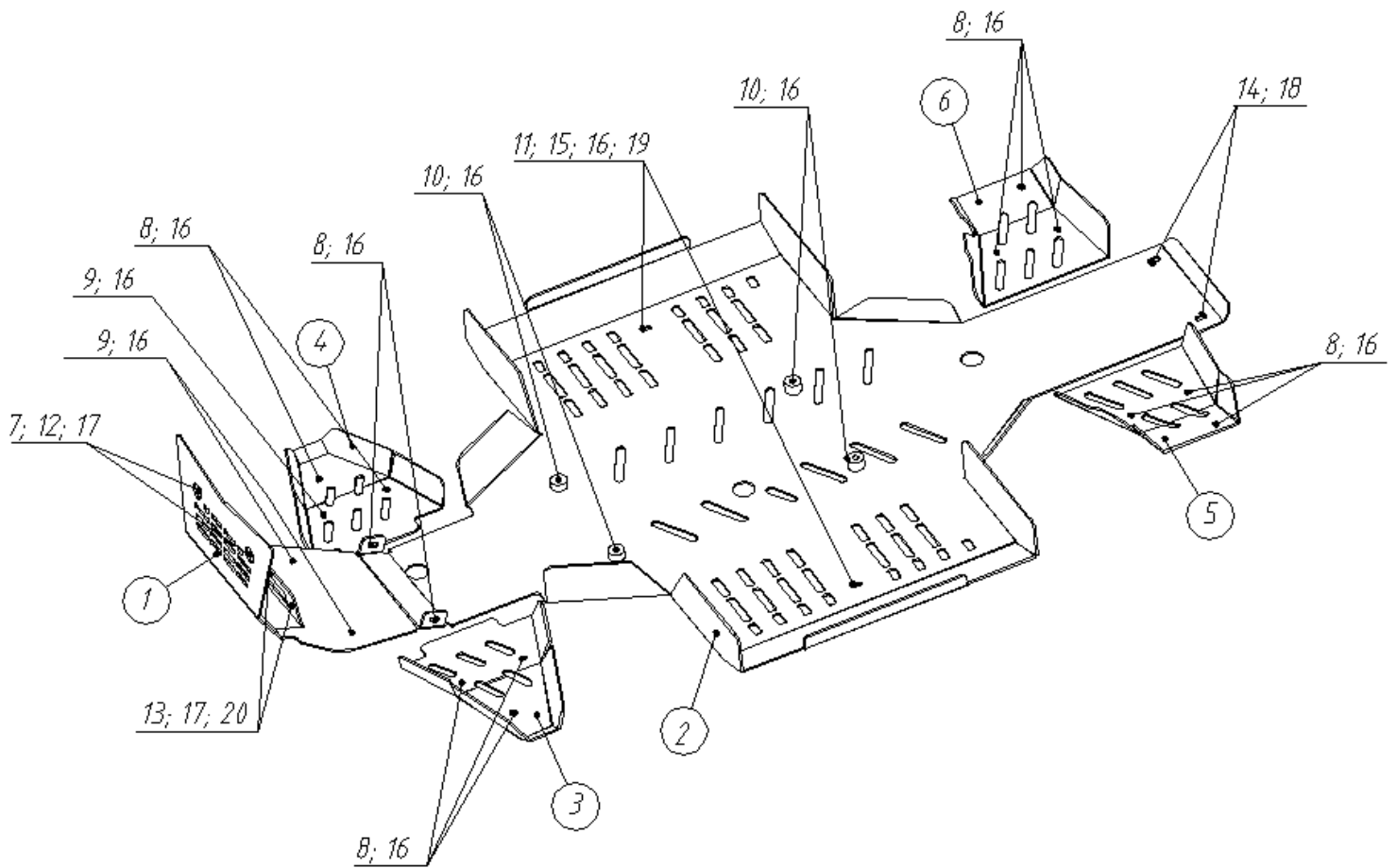
Keep this manual for future reference!

If you need any spare parts, please send this packaging data to your local dealer or to Iron Baltic
sales@ironbaltic.com

Iron Baltic Ltd | +372 653 3711 | sales@ironbaltic.com | www.ironbaltic.com

SPECIFICATION

Pos.	Description	Code	Amount
1	Front protection	02.3152	1
2	Skid plate	02.3152	1
3	Front left arm protection	02.3153V	1
4	Front right arm protection	02.3153P	1
5	Rear left arm protection	02.4501V	1
6	Rear right arm protection	02.4501P	1
7	Bracket 1/2"	Wuerth	2
8	Bolt M6x20 DIN 933	OT.02.02.060	12
9	Bolt M6x25 DIN 933	OT.02.02.070	4
10	Bolt M6x40 DIN 933	OT.02.02.100	4
11	Bolt M6x70 DIN 933	OT.02.02.150	2
12	Bolt M8x20 DIN 933	OT.02.02.180	2
13	Bolt M8x30 DIN 933	OT.02.02.200	2
14	Bolt M10x20 DIN 933	OT.02.02.310	2
15	Washer Ø6/15 SFS 3738	OT.04.03.020	2
16	Washer Ø6/18 DIN 9021	OT.04.02.020	20
17	Washer Ø8/20 SFS 3738	OT.04.03.030	6
18	Washer Ø10/20 DIN 125	OT.04.01.040	2
19	Nut M6 Nyloc DIN 985	OT.03.02.030	2
20	Nut M8 Nyloc DIN 985	OT.03.02.040	2



IRON BALTIC

IRON BALTIC OÜ
Joa tee 17
Vääna 76903
Estonia / Europe

+372 6 533 711
sales@ironbaltic.com

www.ironbaltic.com
www.facebook.com/ironbaltic
www.youtube.com/user/ironbalticLtd

