

IRON BALTIC

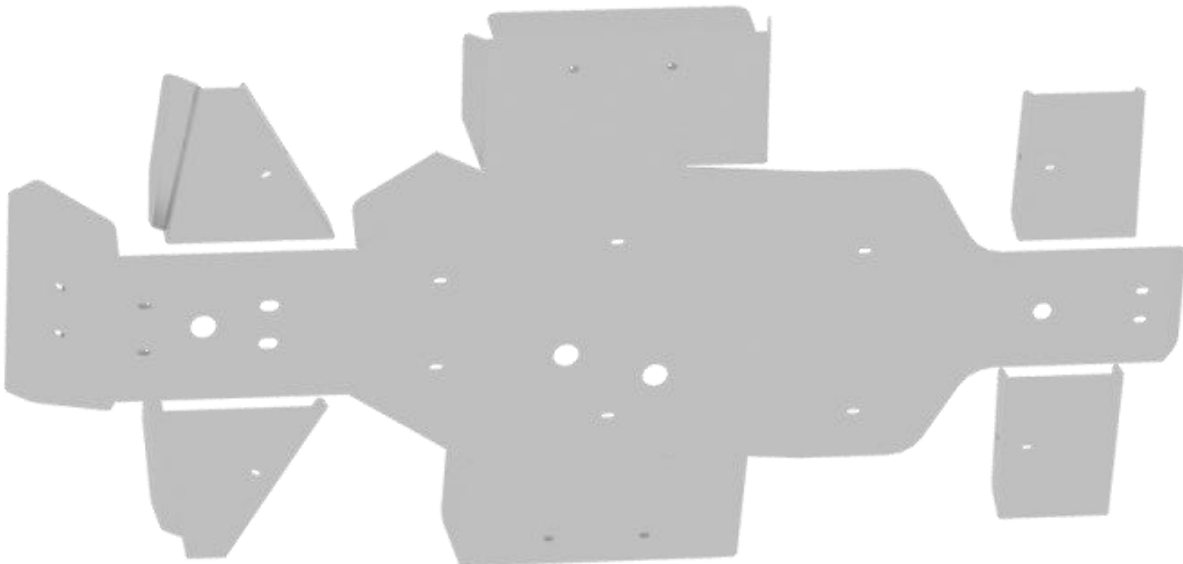
ALUMINIUM SKID PLATE

LINHAI

400

Code 02.3550

Version 16102023



DOWNLOAD MULTILINGUAL
USER MANUAL



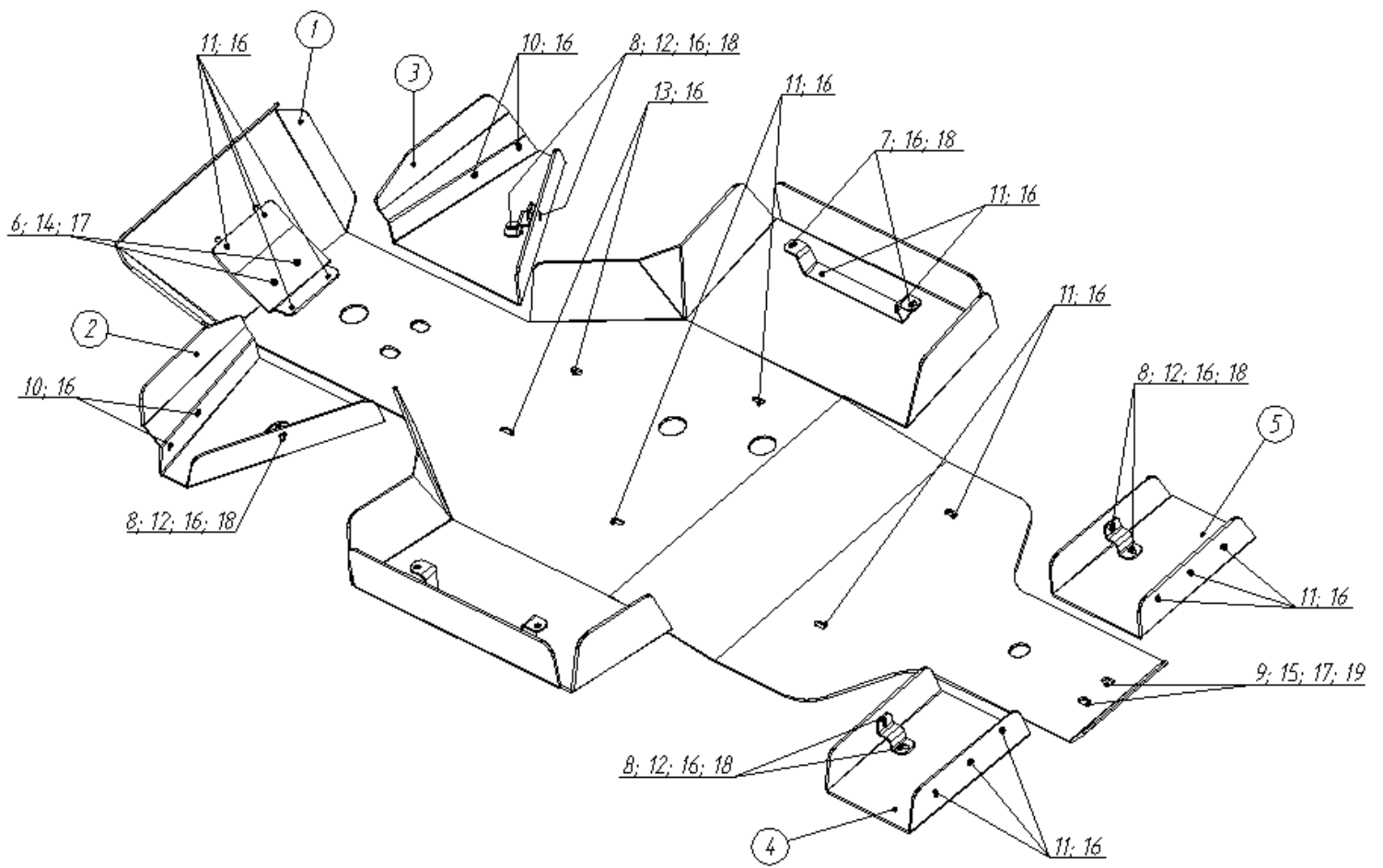
code.ironbaltic.com/u/DPIInGBOA

Keep this manual for future reference!

If you need any spare parts, please send this packaging data to your local dealer or to Iron Baltic
sales@ironbaltic.com

SPECIFICATION

Pos.	Description	Code	Amount
1	Skid plate	02.3551	1
2	Front left arm protection	02.3552	2
3	Front right arm protection	02.3553	3
4	Rear left arm protection	02.3554	4
5	Rear right arm protection	02.3555	5
6	Installation plate	02.3506	6
7	Installation plate	02.3507	7
8	Clamp	02.1419	8
9	Distance profile	02.708	9
10	Bolt M5x20 ISO 7380	OT.02.03.004	4
11	Bolt M6x20 ISO 7380	OT.02.03.030	18
12	Bolt M6x25 ISO 7380	OT.02.03.040	8
13	Bolt M6x30 ISO 7380	OT.02.03.050	2
14	Bolt M8x40 DIN 7991	OT.02.04.190	2
15	Bolt M8x70	ISO 7380	2
16	Washer Ø5/15 DIN 9021	OT.04.02.010	4
16	Washer Ø6/18 DIN 9021	OT.04.02.020	40
17	Washer Ø8/20 SFS 3738	OT.04.03.030	6
18	Nut M6 Nyloc DIN 985	OT.03.02.030	12
19	Nut M8 Nyloc DIN 985	OT.03.02.040	2



IRON BALTIC

IRON BALTIC OÜ
Joa tee 17
Vääna 76903
Estonia / Europe

+372 6 533 711
sales@ironbaltic.com

www.ironbaltic.com
www.facebook.com/ironbaltic
www.youtube.com/user/ironbalticLtd

