

# IRON BALTIC

## PLASTIC SKID PLATE

# AODES

## Pathcross 525L

Code 02.35100

Version 28082025



**Keep this manual for future reference!**

If you need any spare parts, please send this packaging data to your local dealer or to Iron Baltic [sales@ironbaltic.com](mailto:sales@ironbaltic.com)

Iron Baltic Ltd | +372 653 3711 | [sales@ironbaltic.com](mailto:sales@ironbaltic.com) | [www.ironbaltic.com](http://www.ironbaltic.com)

DOWNLOAD MULTILINGUAL  
USER MANUAL



[code.ironbaltic.com/u/uRrQoAFR](http://code.ironbaltic.com/u/uRrQoAFR)

# SPECIFICATION

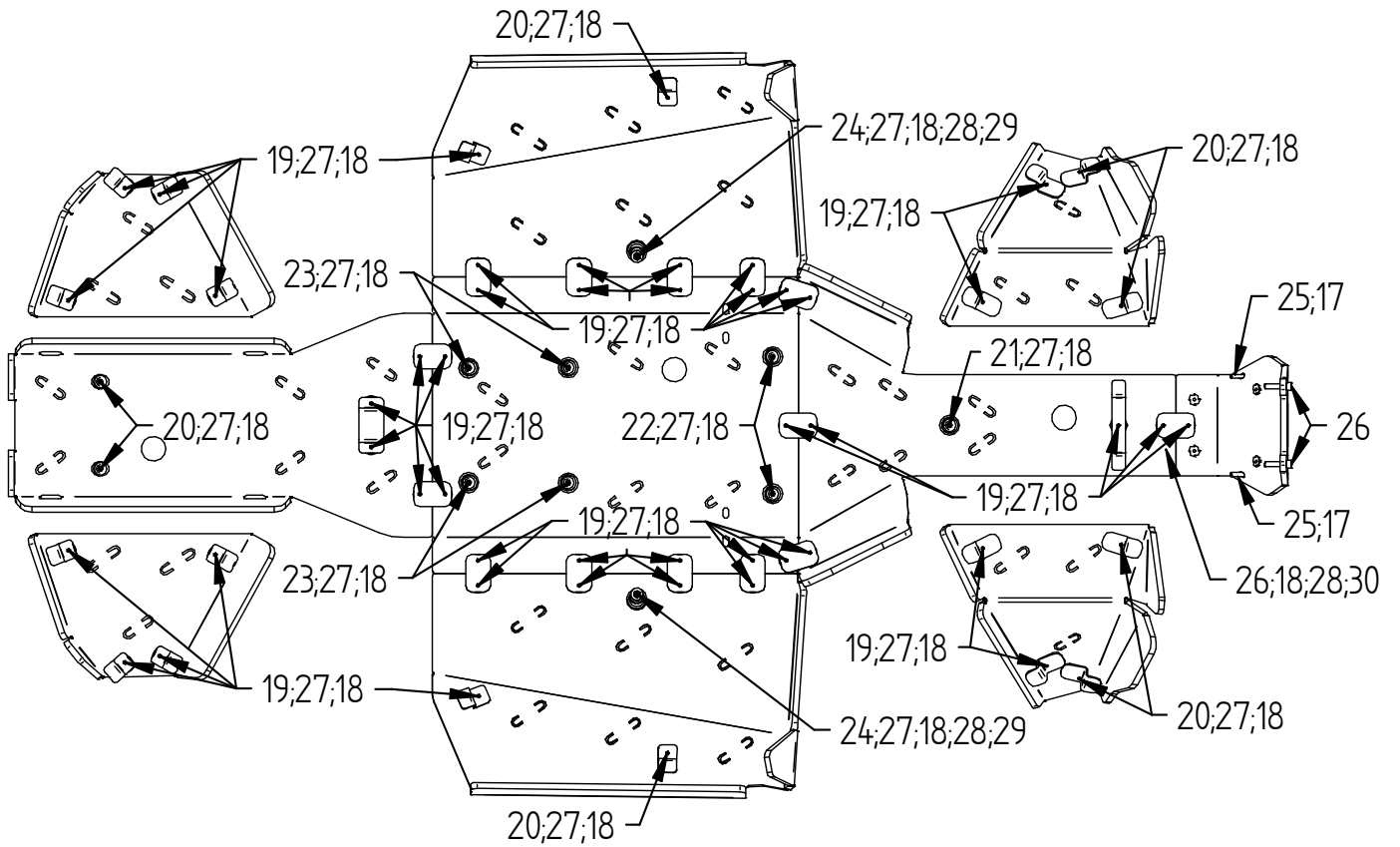
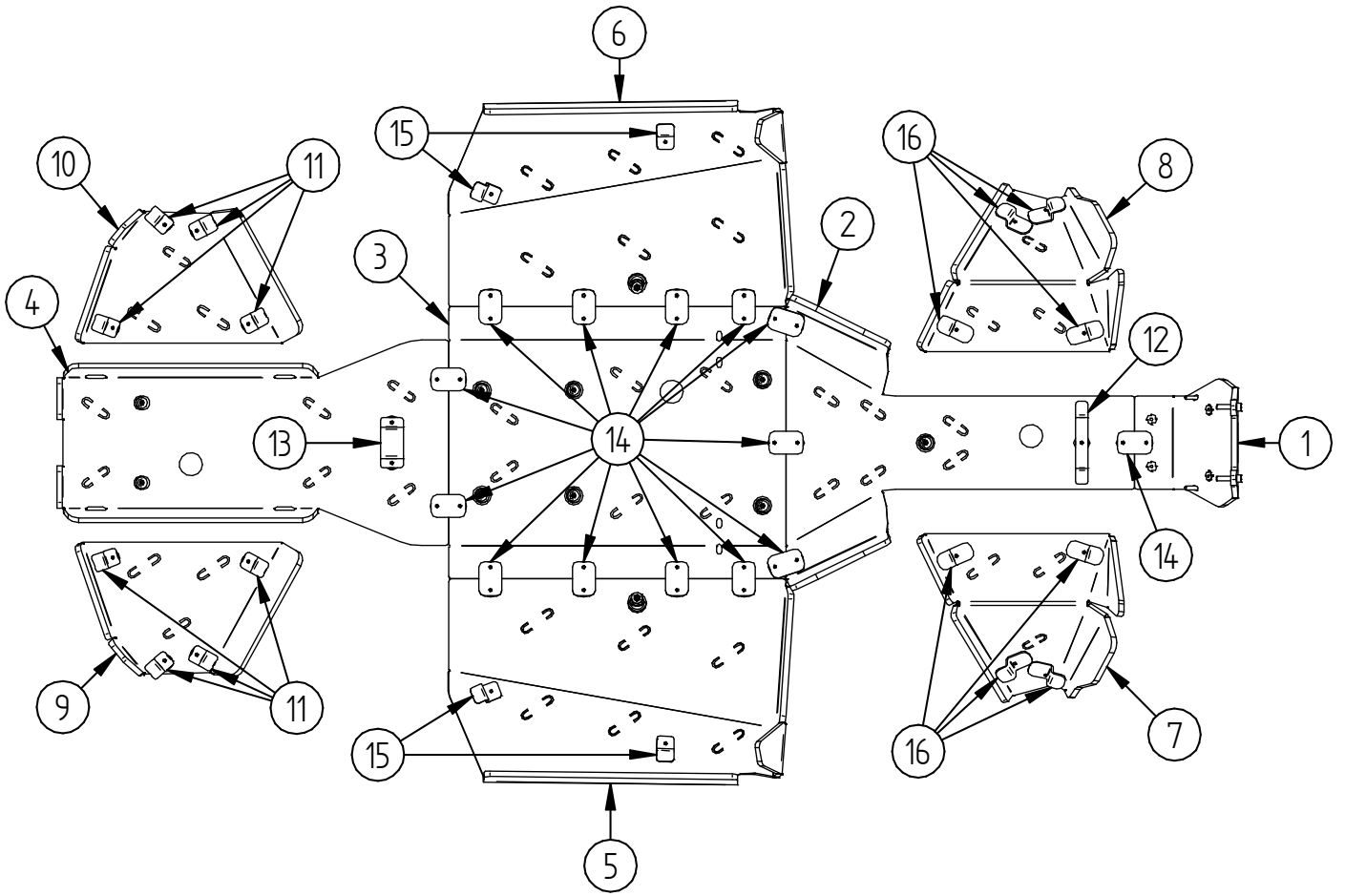
Pos.	Description	Code	Amount
1	Front protection (1)	02.35102K	1
2	Front protection (2)	02.35103K	1
3	Middle protection	02.35104K	1
4	Rear protection	02.35105	1
5	Right side protection	02.35106K	1
6	Left side protection	02.35107K	1
7	Front right arm protection	02.35108	1
8	Front left arm protection	02.35109	1
9	Rear right arm protection	02.35110	1
10	Rear left arm protection	02.35111	1
11	Clamp for rear arm protection	02.35012	8
12	Bracket for front protection (2)	02.35013	1
13	Bracket for rear protection	02.719	1
14	Connecting plate	02.5006	14
15	Installation bracket	02.5710	4
16	Clamp for front arm protection	02.8210	8
17	Conical washer Ø6	14.502	2
18	Dished washer	14.503	62
19	Bolt M6x16 DIN933	OT.02.02.050	45
20	Bolt M6x25 DIN933	OT.02.02.070	8
21	Bolt M6x35 DIN933	OT.02.02.090	1
22	Bolt M6x40 DIN933	OT.02.02.100	2
23	Bolt M6x45 DIN933	OT.02.02.110	4
24	Bolt M6x55 DIN933	OT.02.02.130	2
25	Bolt M6x35 DIN7991	OT.02.04.060	2
26	Bolt M8x35 DIN912	OT.02.06.052	2
27	Washer Ø6/15 SFS3738	OT.04.03.020	62
28	Washer Ø6/18 DIN9021	OT.04.02.020	2
29	Nyloc nut M6 DIN985	OT.03.02.030	2

- Designing the skid plate, original/factory tires were taken into consideration (front: 26x9.00-12 and rear: 26x11.00-12).



## TOOLS REQUIRED FOR INSTALLATION:

- Torx key T30
- Hex key 6 mm
- Spanner 10 mm
- Spanner 13 mm
- Socket wrench 10 mm
- Socket wrench 13 mm



\* Numbers on drawing correspond to Pos numbers on specification table.

# FITTING INSTRUCTIONS



## NB!

**We recommend using thread lock fluid on the bolts!  
Bolts tend to loosen with vibration from ATV.**

**All pictures in this manual are for illustration purposes only and may differ from real product due to the changes made to the product during improvements!**

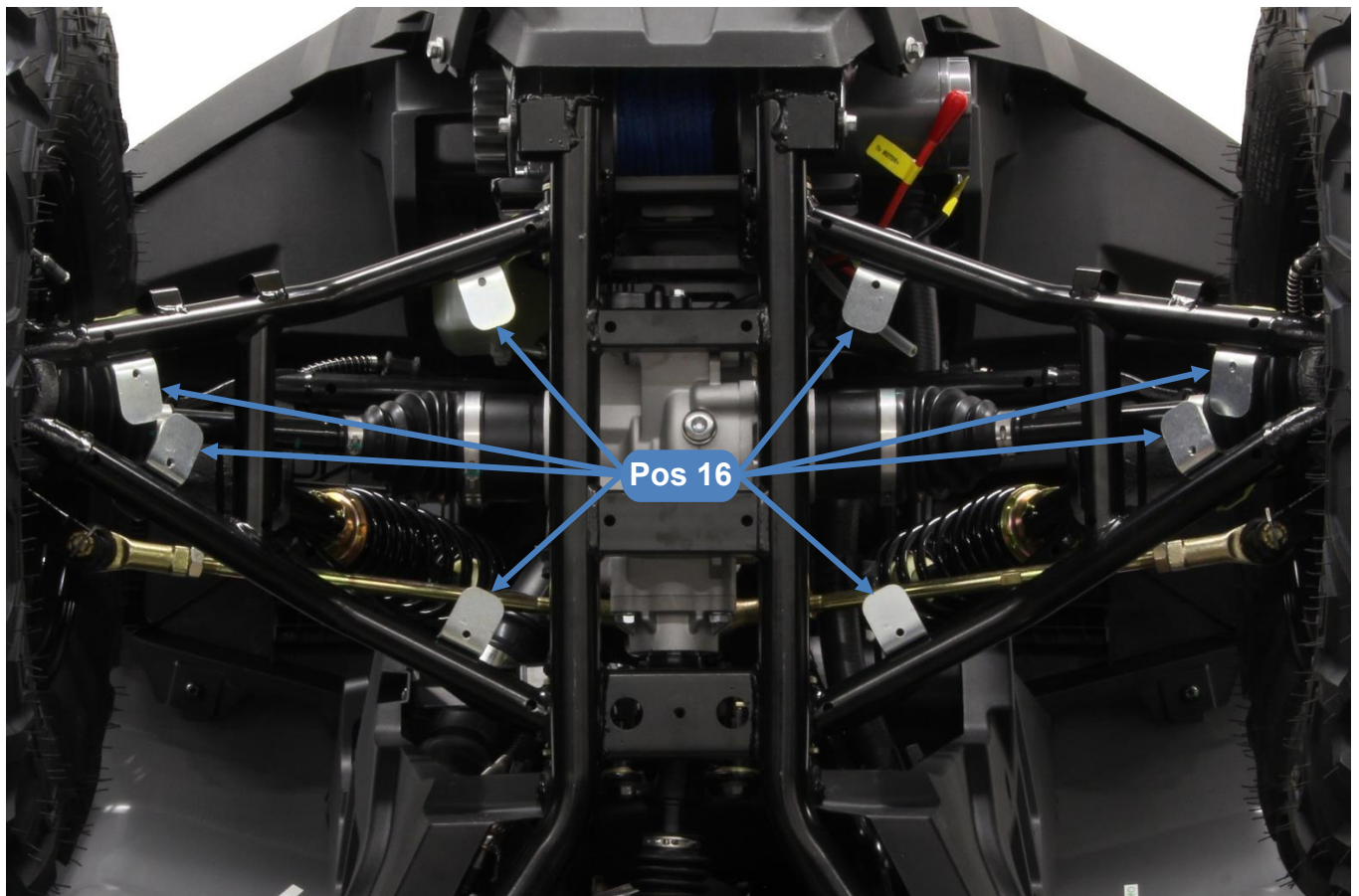
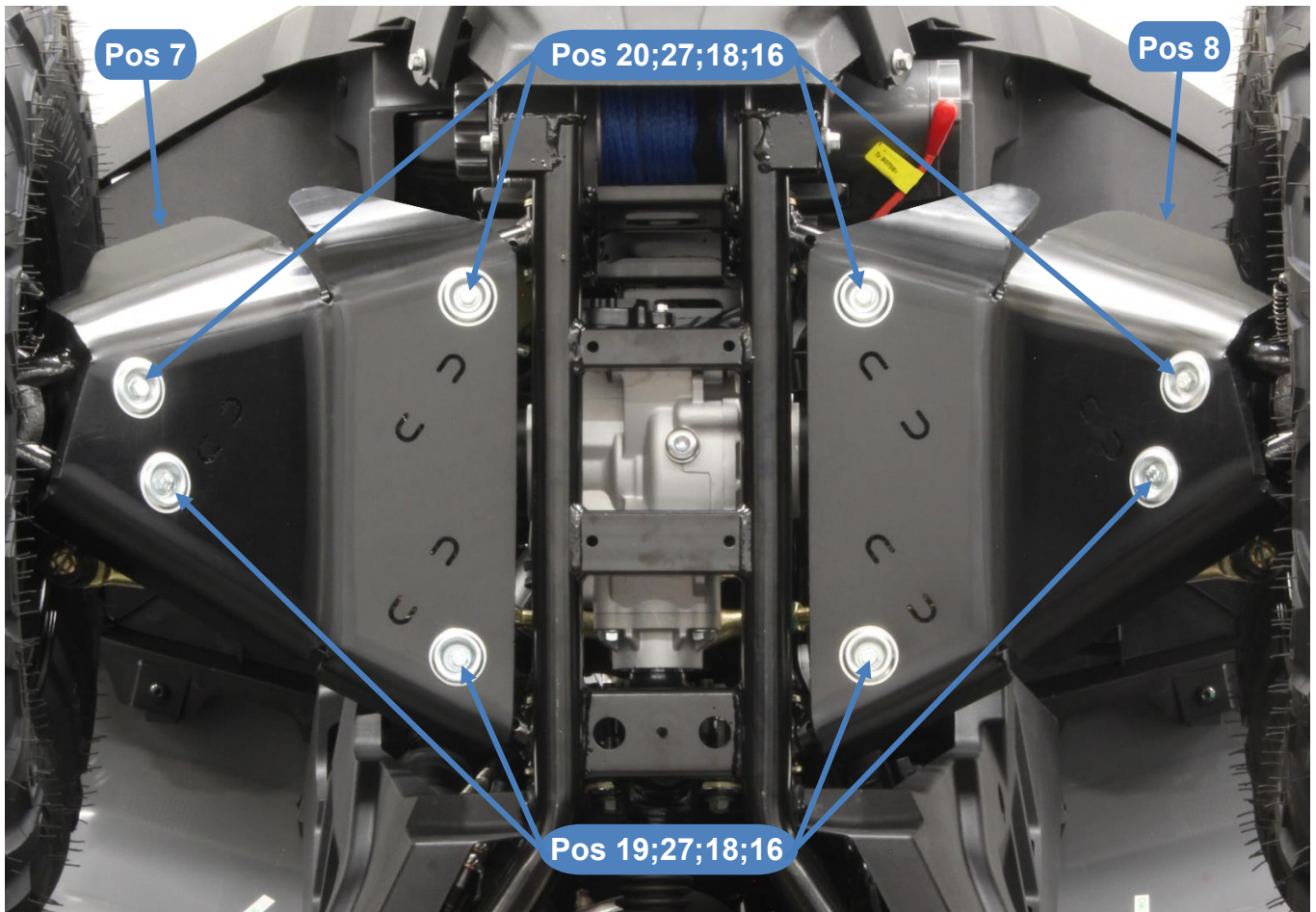
## Step 1

Remove the original skid plate parts, control arm protections and winch fairlead. Also remove the bolts shown in the pictures. For easier removal of the winch fairlead, pull off the radiator plastic cover.



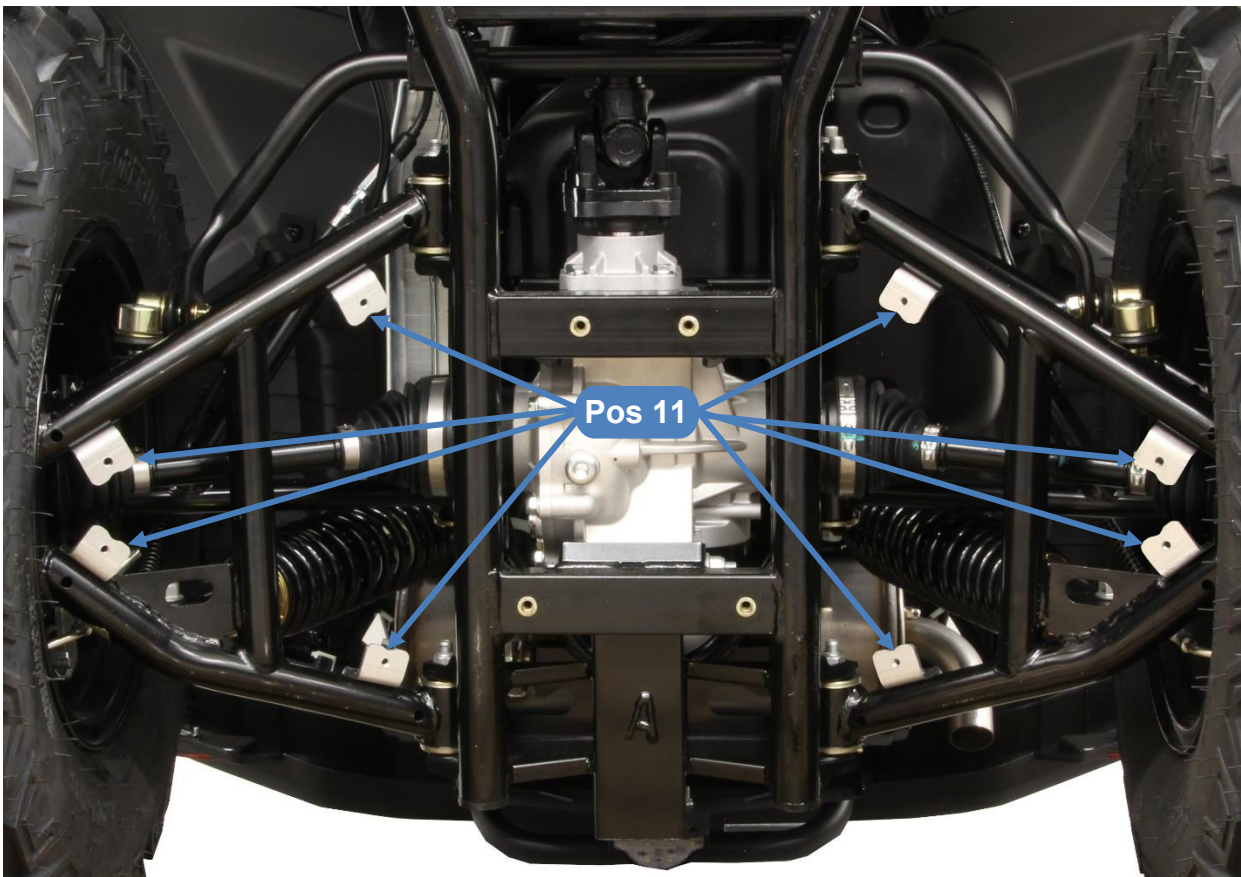
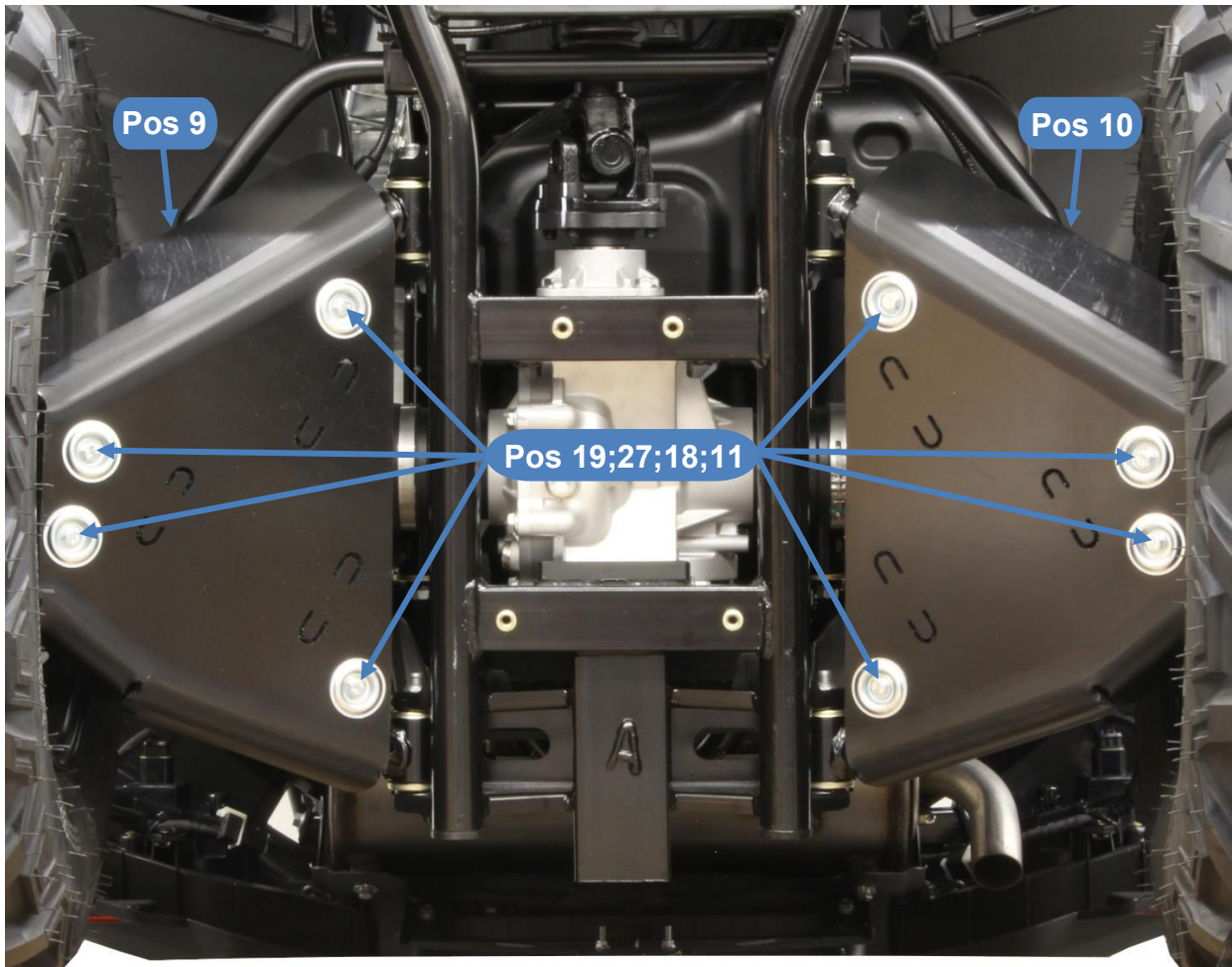
## Step 2

Install front arm protections (Pos.7; Pos.8). For fastening use M6x16 bolts (Pos.19), M6x25 bolts (Pos.20), Ø6 mm washers (Pos.27), dished washers (Pos.18) and clamps (Pos.16).



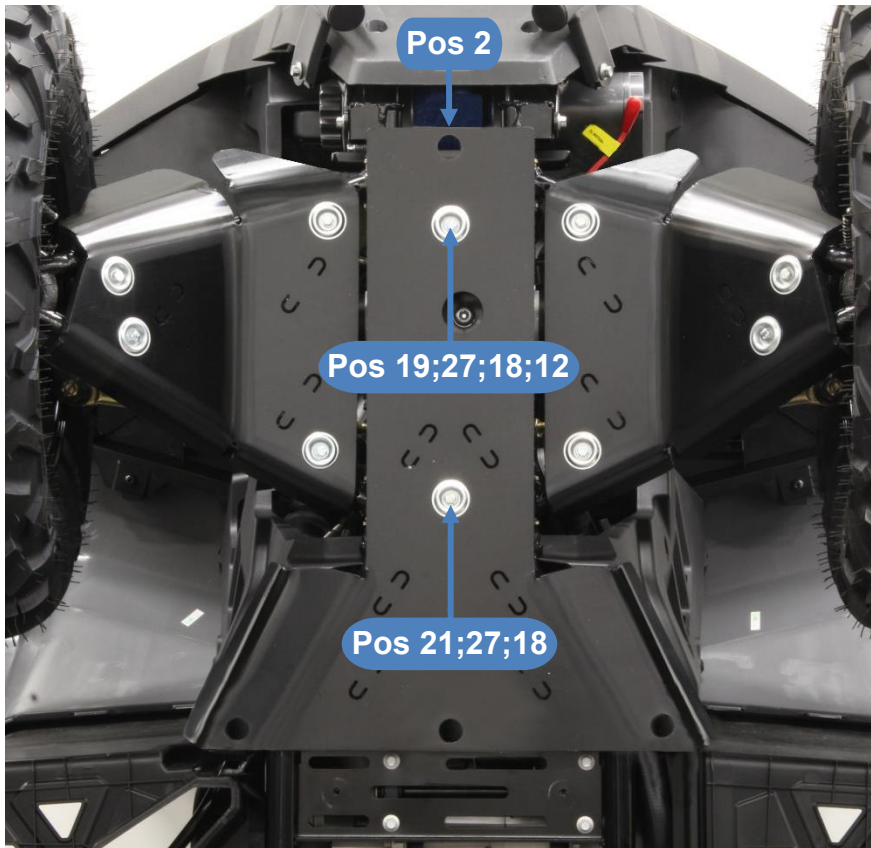
### Step 3

Install rear arm protections (Pos.9; Pos.10). For fastening use M6x16 bolts (Pos.19), Ø6 mm washers (Pos.27), dished washers (Pos.18) and clamps (Pos.11).



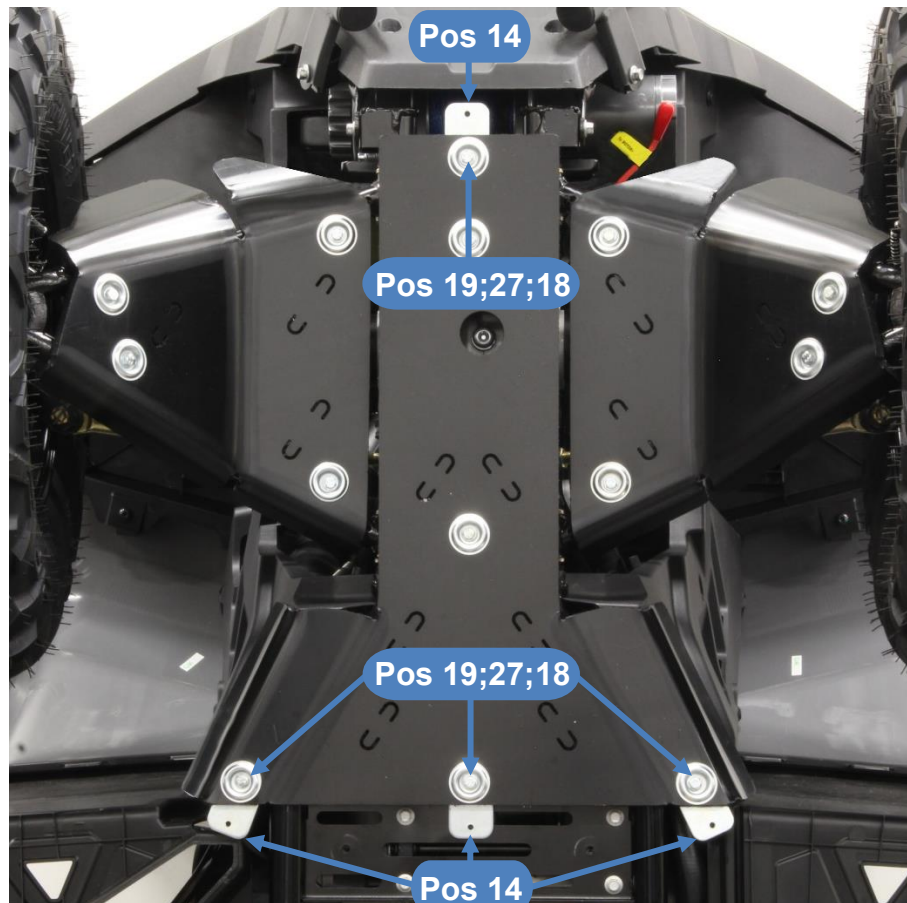
#### Step 4

Install the front protection 2 (Pos.2). For fastening use M6x16 bolt (Pos.19), M6x35 bolt (Pos.21), Ø6 mm washers (Pos.27), dished washers (Pos.18) and bracket (Pos.12).



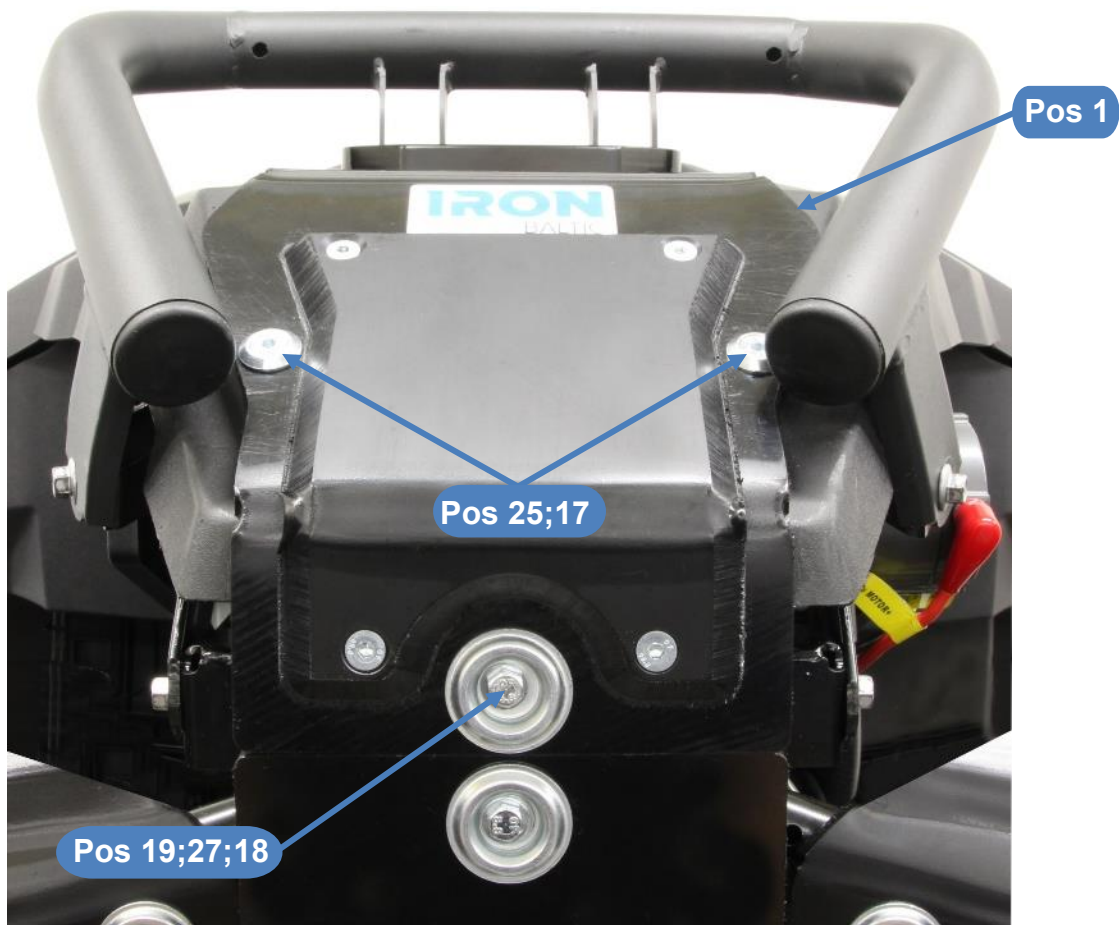
#### Step 5

Install the connecting plates (Pos.14) to the front protection. For fastening use M6x16 bolts (Pos.19), Ø6 mm washers (Pos.27) and dished washers (Pos.18).



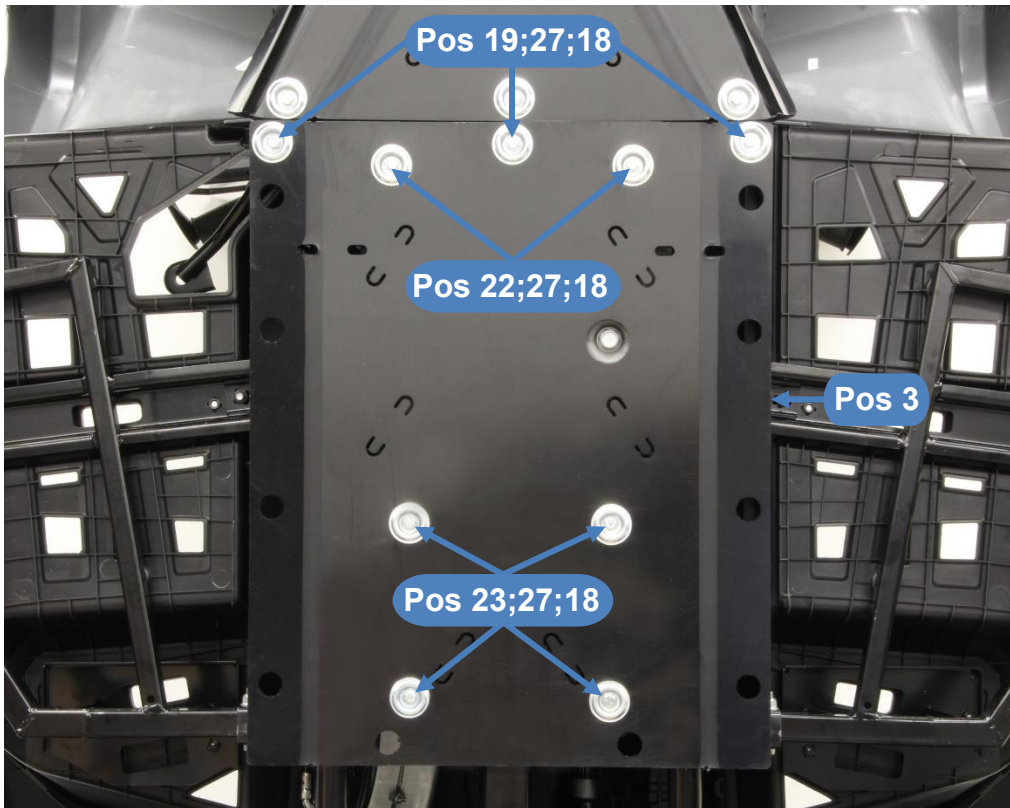
## Step 6

Install the front protection (Pos.1) and winch fairlead. For fastening use M6x16 bolt (Pos.19), M6x35 bolts (Pos.25), M8x35 bolts (Pos.26), Ø6 mm washer (Pos.27), Ø6 mm conical washers (Pos.17), dished washer (Pos.18) and original nuts.



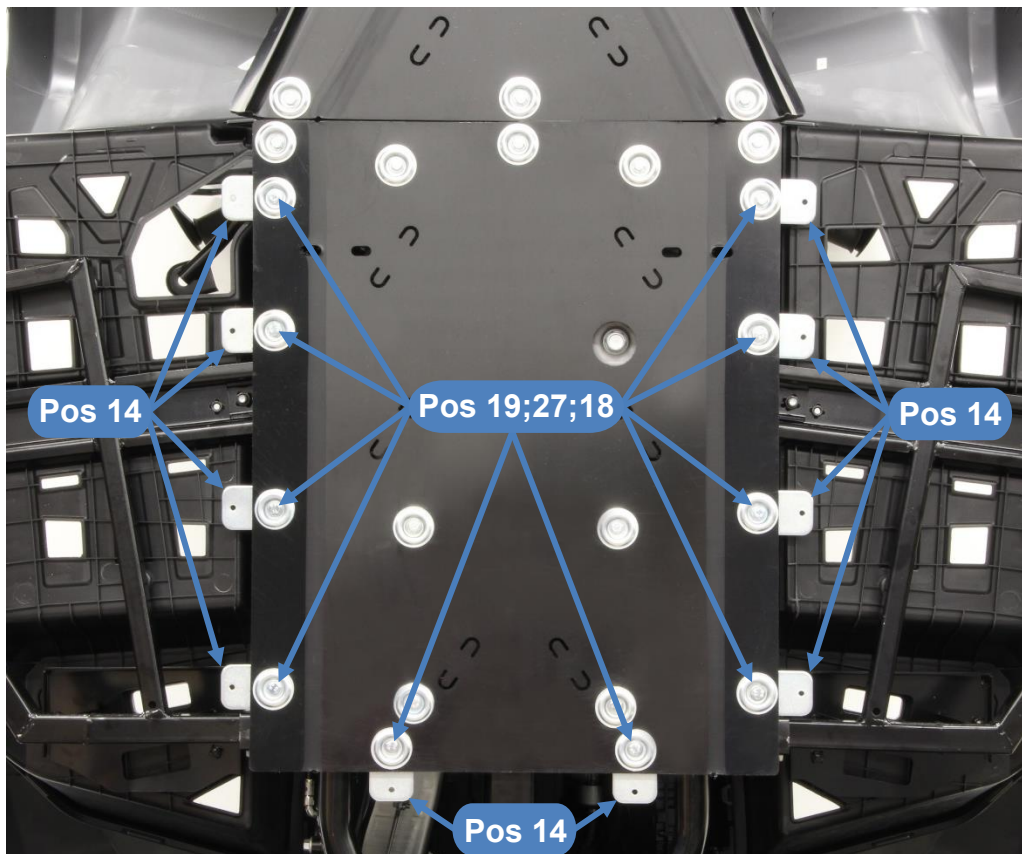
## Step 7

Install the middle protection (Pos.3). For fastening use M6x16 bolts (Pos.19), M6x40 bolts (Pos.22), M6x45 bolts (Pos.23), Ø6 mm washers (Pos.27) and dished washers (Pos.18).



## Step 8

Install the connecting plates (Pos.14) to the middle protection. For fastening use M6x16 bolts (Pos.19), Ø6 mm washers (Pos.27) and dished washers (Pos.18).



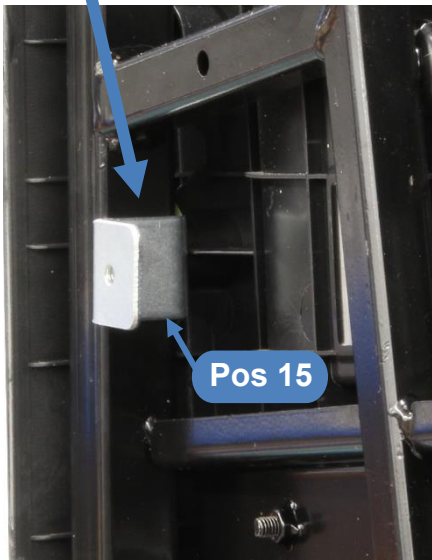
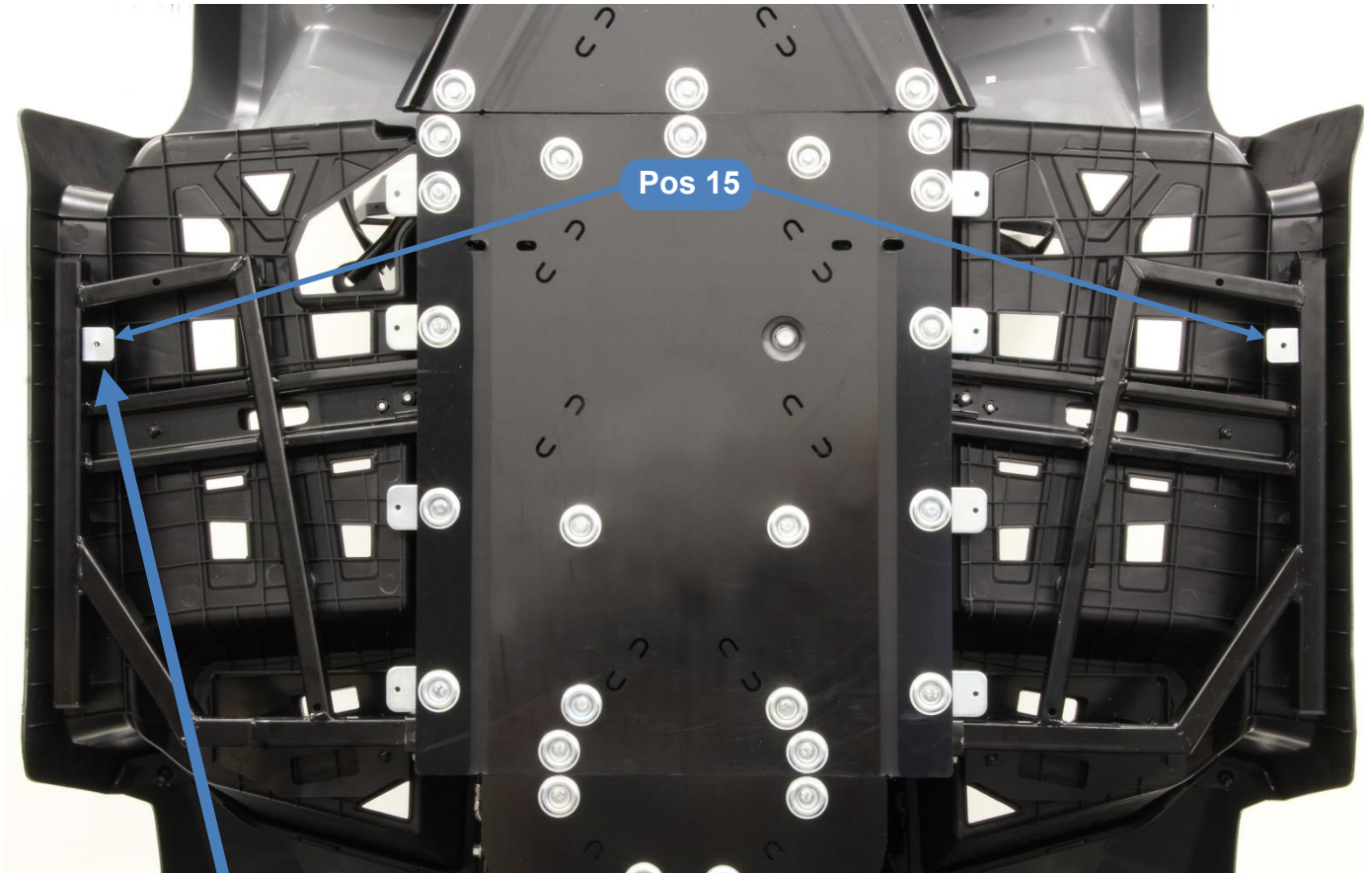
## Step 9

Install the rear protection (Pos.4). For fastening use M6x16 bolts (Pos.19), M6x25 bolts (Pos.20), Ø6 mm washers (Pos.27), dished washers (Pos.18) and bracket (Pos.13).



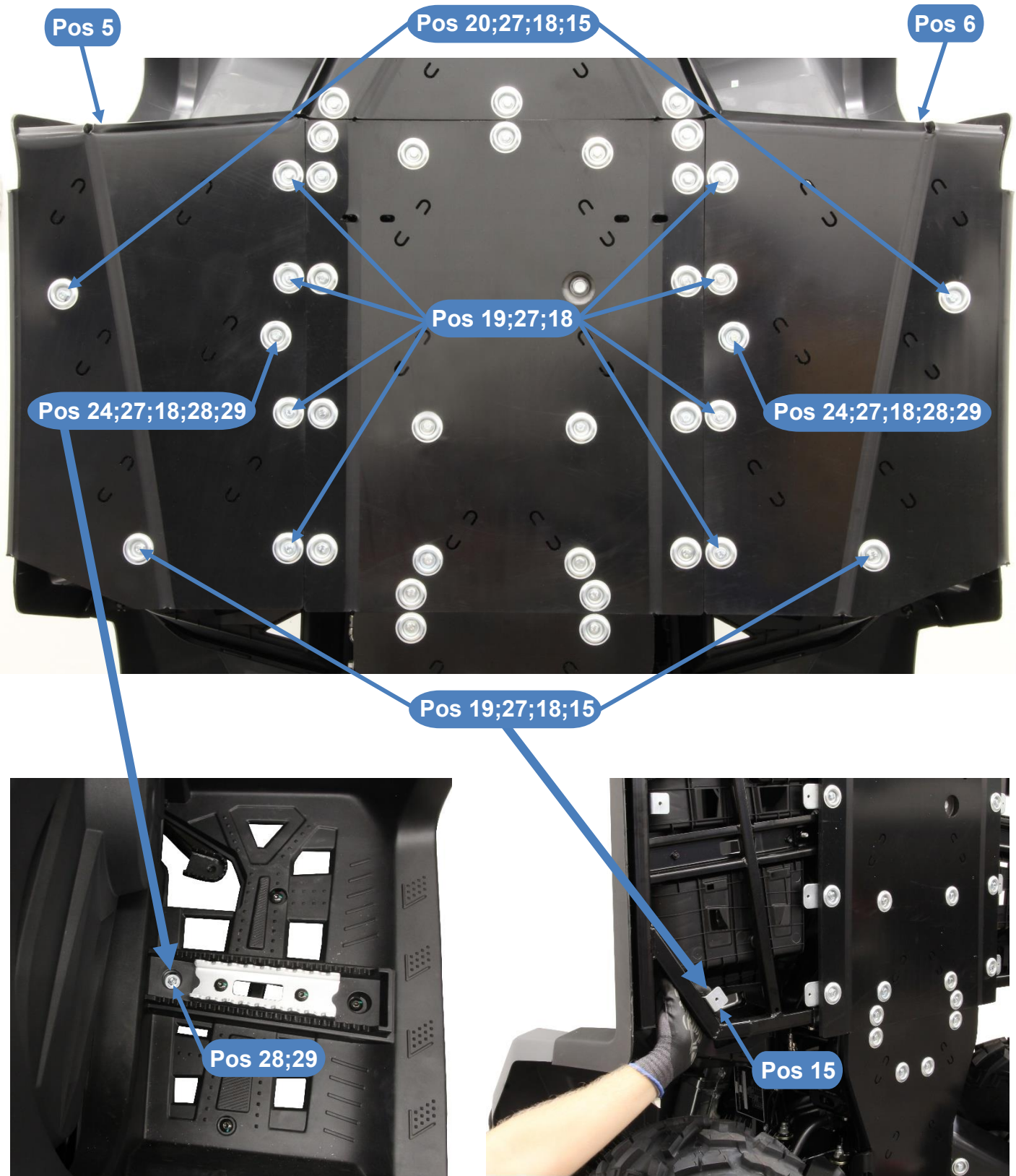
## Step 10

Attach the installation brackets (Pos.15) between the original plastic and the tube.



## Step 11

Install the side protections (Pos.5; Pos.6). For fastening use M6x16 bolts (Pos.19), M6x25 bolts (Pos.20), M6x55 bolts (Pos.24), Ø6/15 mm washers (Pos.27), Ø6/18 mm washers (Pos.28), dished washers (Pos.18), M6 nyloc nuts (Pos.29) and installation brackets (Pos.15).









# IRON BALTIC

IRON BALTIC OÜ  
Joa tee 17  
Vääna 76903  
Estonia / Europe

+372 6 533 711  
[sales@ironbaltic.com](mailto:sales@ironbaltic.com)

[www.ironbaltic.com](http://www.ironbaltic.com)  
[www.facebook.com/ironbaltic](https://www.facebook.com/ironbaltic)  
[www.youtube.com/user/ironbalticld](https://www.youtube.com/user/ironbalticld)