

IRON BALTIC

ALUMINIUM SKID PLATE

GOES TERROX

500L

Code 02.32000

Version 10052024

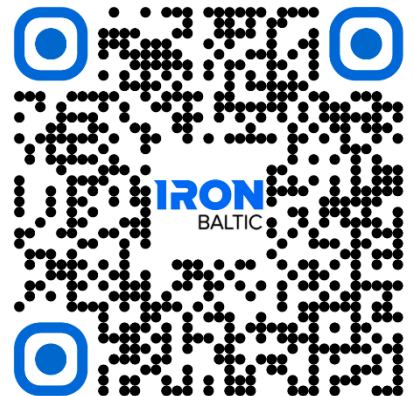


Keep this manual for future reference!

If you need any spare parts, please send this packaging data to your local dealer or to Iron Baltic sales@ironbaltic.com

Iron Baltic Ltd | +372 653 3711 | sales@ironbaltic.com | www.ironbaltic.com

DOWNLOAD MULTILINGUAL
USER MANUAL



code.ironbaltic.com/u/5NJP9gOa

SPECIFICATION

Pos.	Description	Code	Amount
1	Middle protection	02.17201K	1
2	Front protection	02.32002	1
3	Rear protection	02.17003	1
4	Right side protection	02.17204	1
5	Left side protection	02.17205	1
6	Front right arm protection	02.17006	1
7	Front left arm protection	02.17007	1
8	Rear right arm protection	02.17008	1
9	Rear left arm protection	02.17009	1
10	Installation plate	02.5006	12
11	Installation bracket 90°	03.1502	2
12	Distance plate	05.3902	2
13	Dished washer	14.503	46
14	Conical washer Ø6	14.502	2
15	Conical washer Ø8	14.501	2
16	Bolt M6x12 DIN933	OT.02.02.030	4
17	Bolt M6x14 DIN933	OT.02.02.040	30
18	Bolt M6x30 DIN933	OT.02.02.080	2
19	Bolt M6x40 DIN933	OT.02.02.100	8
20	Bolt M8x50 DIN933	OT.02.02.240	2
21	Bolt M6x25 DIN7991	OT.02.04.040	2
22	Bolt M8x20 DIN7991	OT.02.04.150	2
23	Bolt M10x1,25-45 DIN961	OT.02.08.349	2
24	Washer Ø6/15 SFS3738	OT.04.03.020	44
25	Washer Ø6/18 DIN9021	OT.04.02.020	4
26	Washer Ø8/20 SFS3738	OT.04.03.030	2
27	Washer Ø10/20 DIN125	OT.04.01.040	2
28	Nyloc nut M6 DIN985	OT.03.02.030	4
29	Nyloc nut M8 DIN985	OT.03.02.040	2



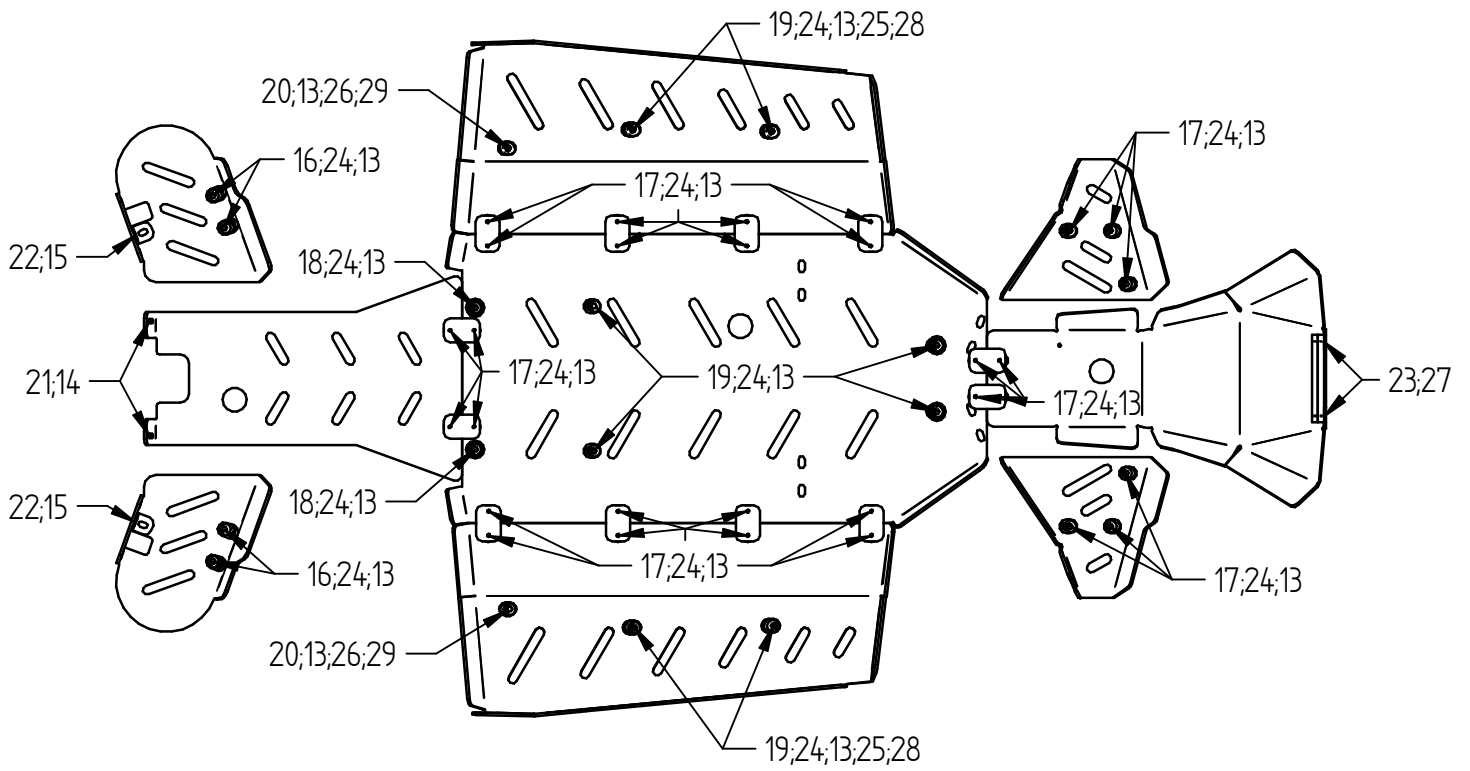
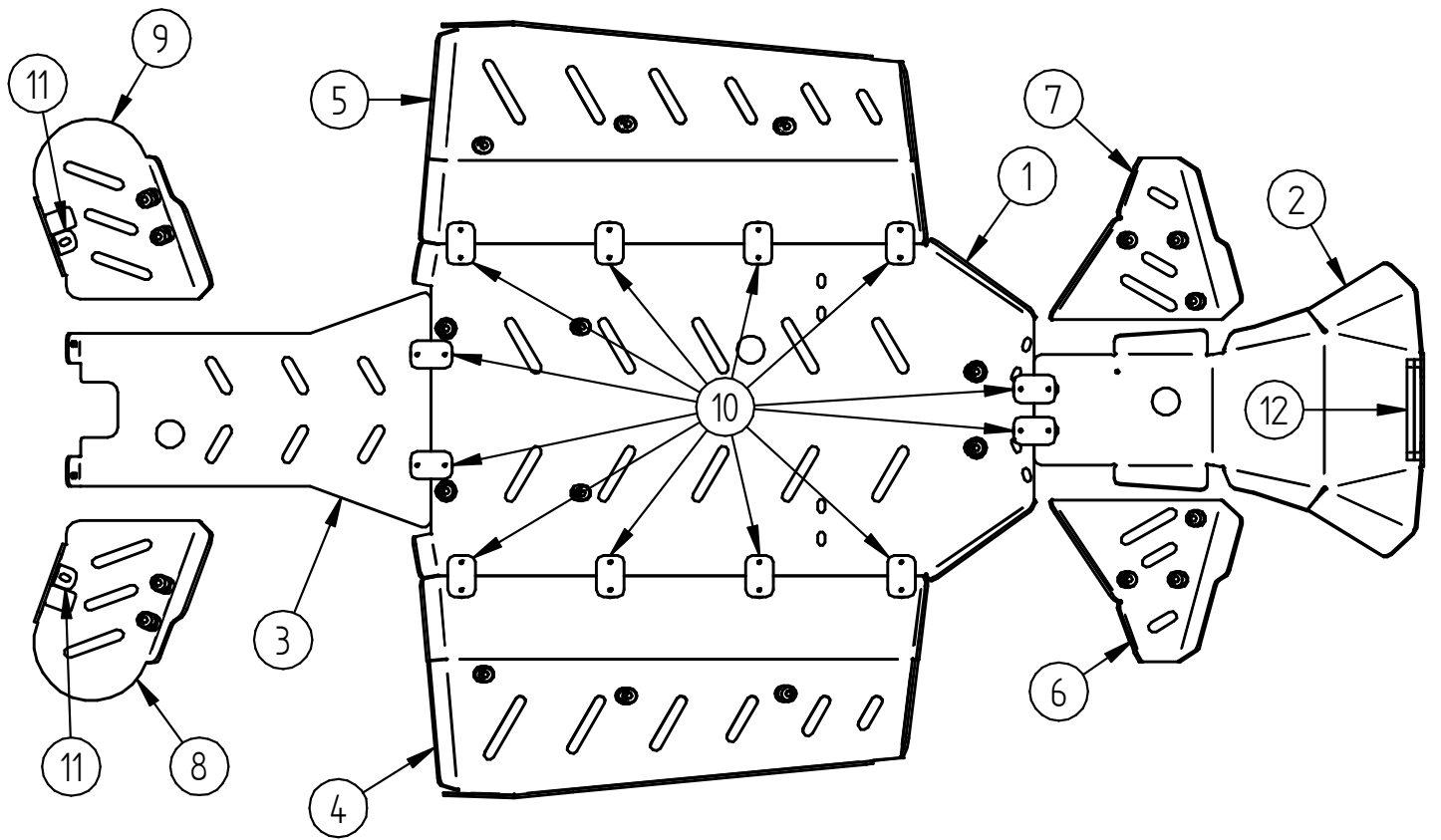
TOOLS REQUIRED FOR INSTALLATION:

- Hex key 4 mm
- Hex key 5 mm
- Spanner 10 mm
- Spanner 13 mm
- Socket wrench 10 mm
- Socket wrench 13 mm
- Socket wrench 17 mm



NB!

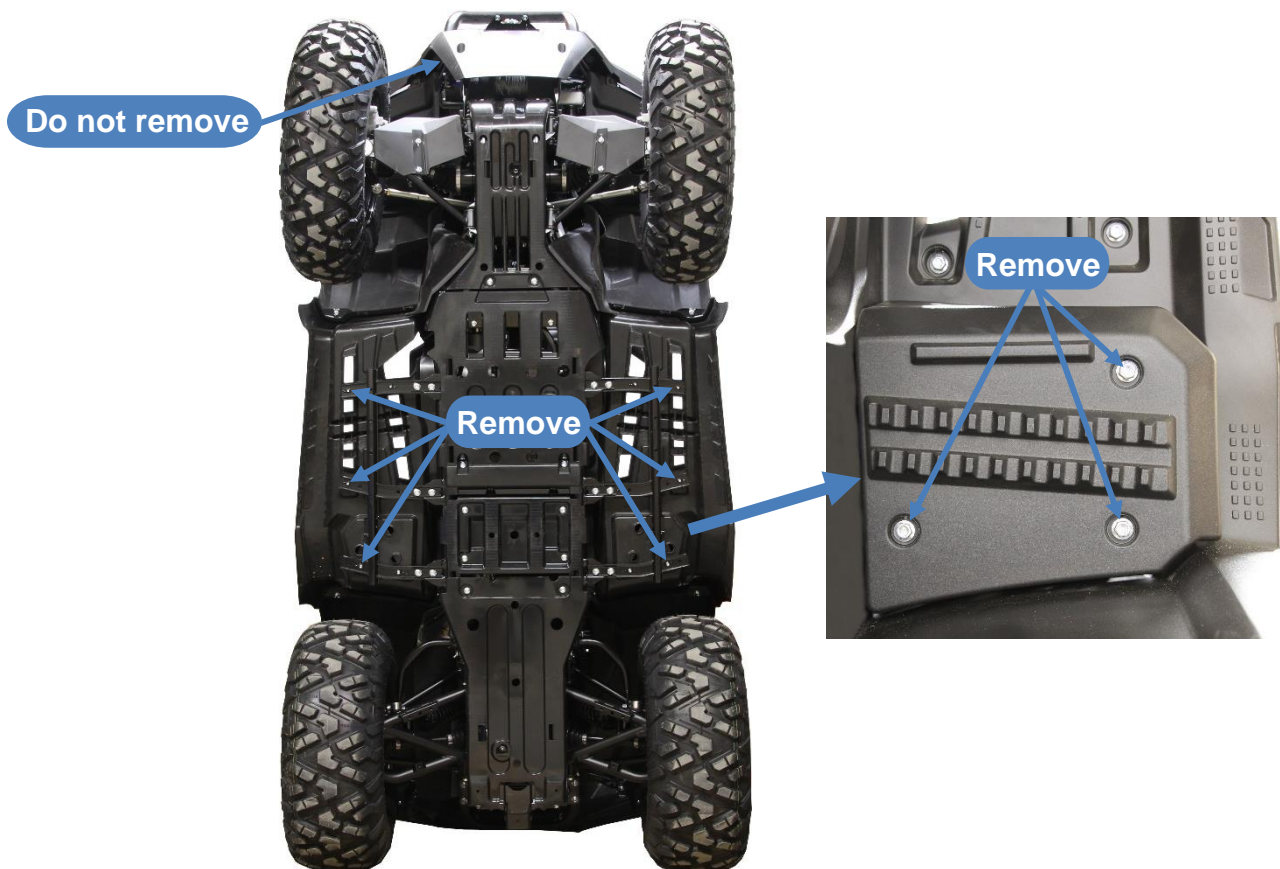
**We recommend using thread lock fluid on the bolts!
Bolts tend to loosen with vibration from ATV.**



FITTING INSTRUCTIONS

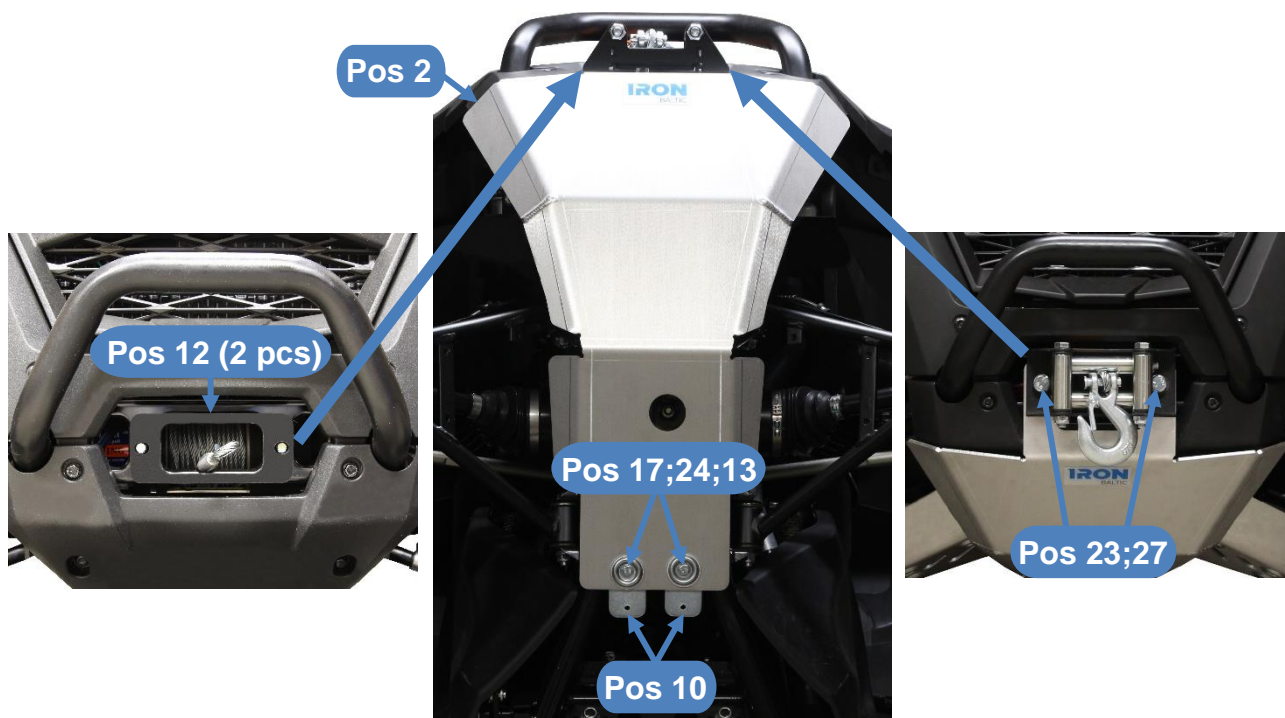
Step 1

Remove original skid plate parts and bolts indicated with arrows. Do not remove the front bumper guard. Also, remove the footwell covers.



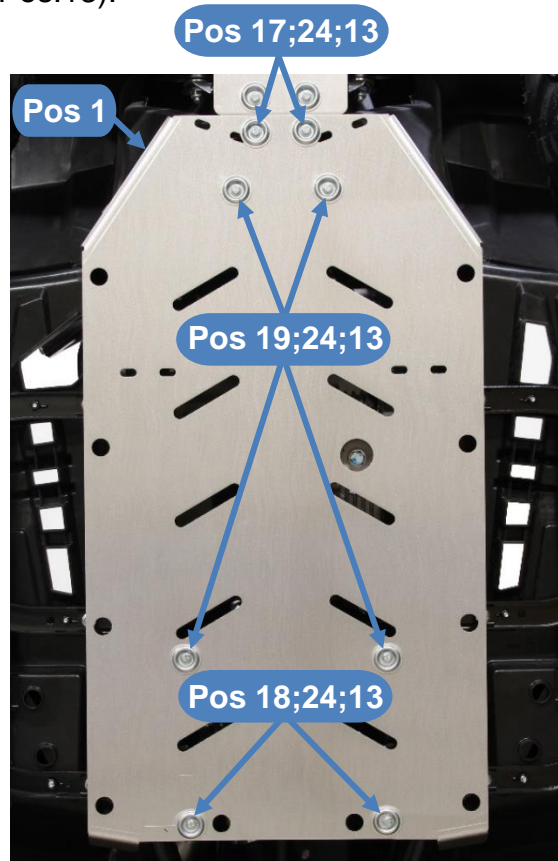
Step 2

Install the front protection (Pos.2). For fastening use M6x14 bolts (Pos.17), M10x1,25-45 bolts (Pos.23), Ø6 mm washers (Pos.24), Ø10 mm washers (Pos.27), dished washers (Pos.13), installation plates (Pos.10) and distance plates (Pos.12). Install distance plates (2 pcs) between the skid plate front protection and original winch fairlead holder.



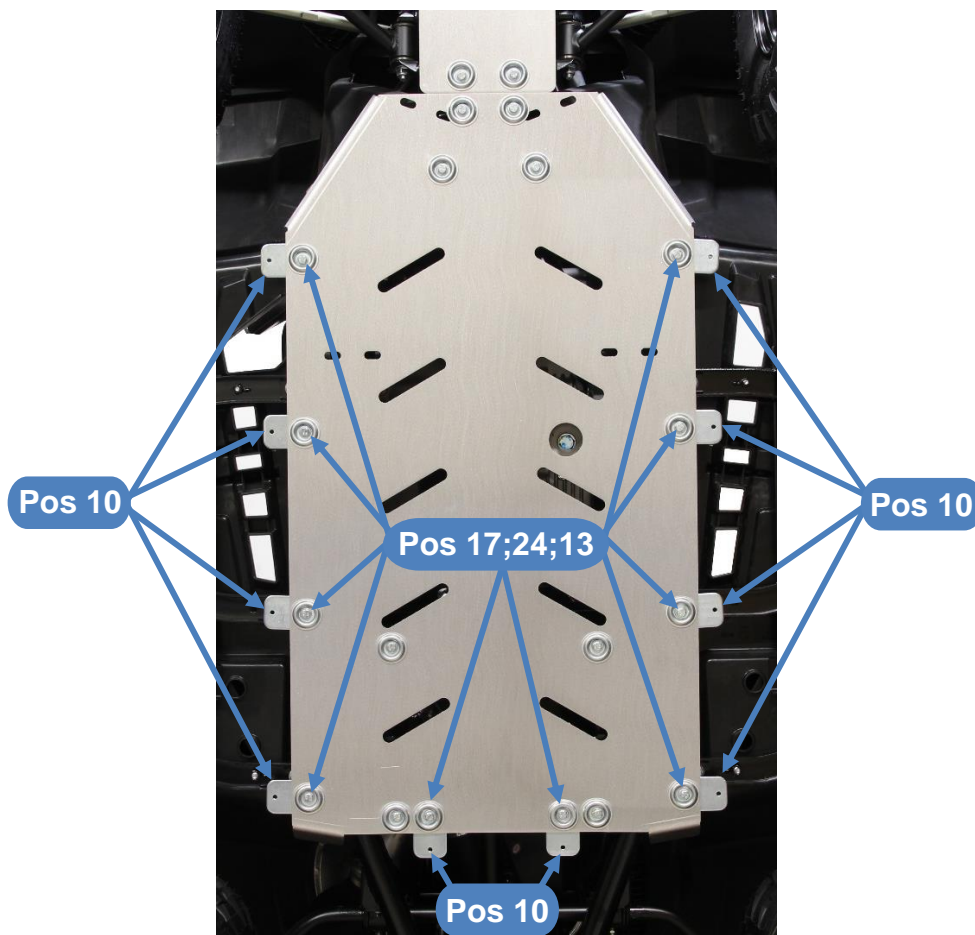
Step 3

Install the middle part (Pos.1). For fastening use M6x14 bolts (Pos.17), M6x30 bolts (Pos.18), M6x40 bolts (Pos.19), Ø6 mm washers (Pos.24) and dished washers (Pos.13).



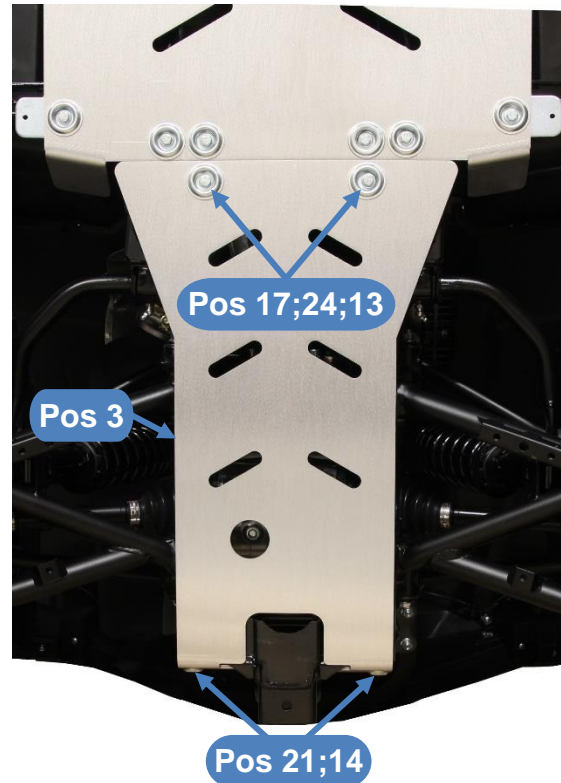
Step 4

Install the installation plates (Pos.10) to the middle part. For fastening use M6x14 bolts (Pos.17), Ø6 mm washers (Pos.24) and dished washers (Pos.13).



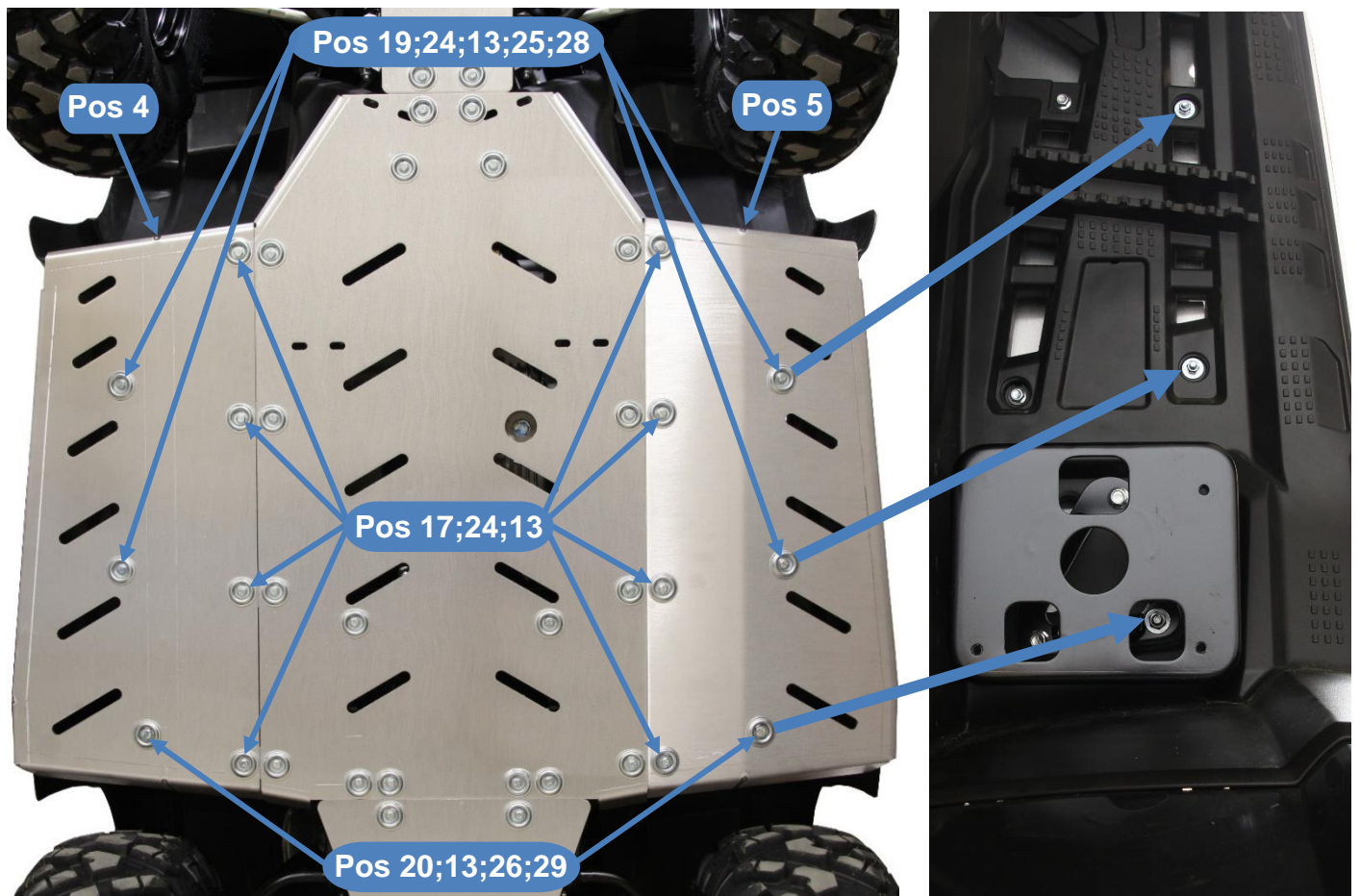
Step 5

Install the rear part (Pos.3). For fastening use M6x14 bolts (Pos.17), M6x25 bolts (Pos.21), Ø6 mm washers (Pos.24), Ø6 mm conical washers (Pos.14) and dished washers (Pos.13).



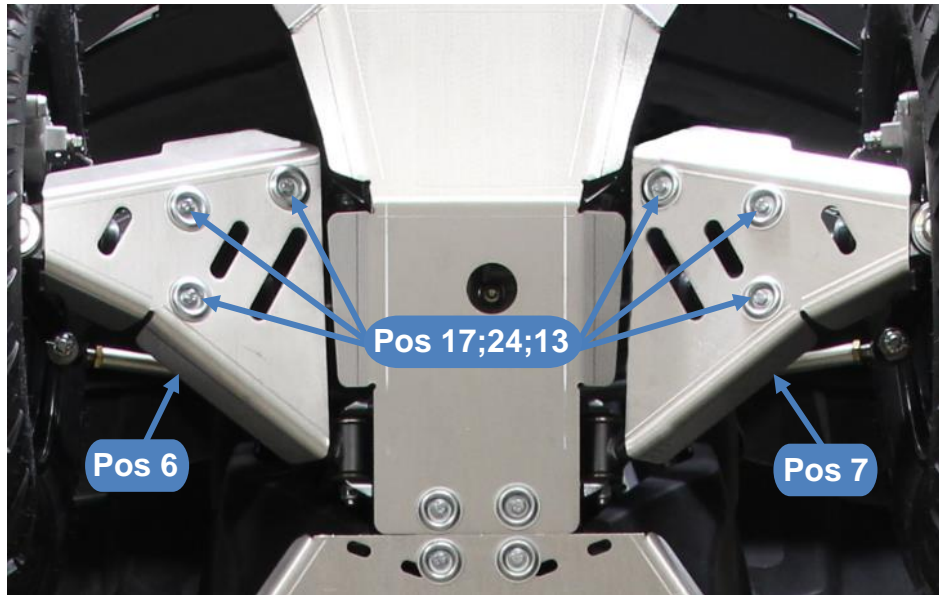
Step 6

Install the side protections (Pos.4; Pos.5). For fastening use M6x14 bolts (Pos.17), M6x40 bolts (Pos.19), M8x50 bolts (Pos.20), Ø6 mm washers (Pos.24), Ø6 mm washers (Pos.25), Ø8 mm washers (Pos.26), dished washers (Pos.13), M6 nyloc nuts (Pos.28) and M8 nyloc nuts (Pos.29).



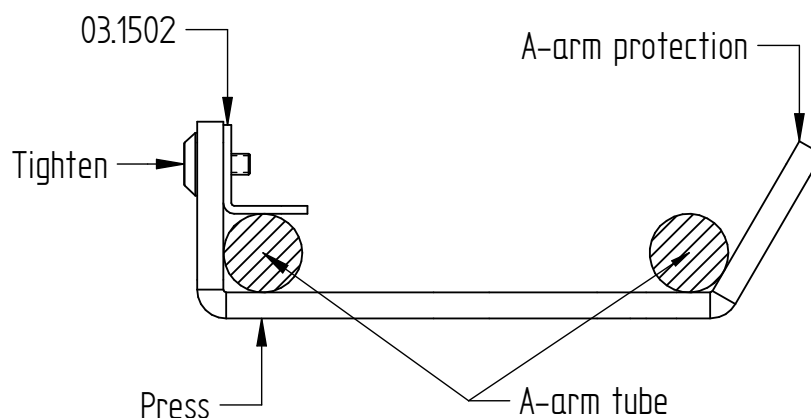
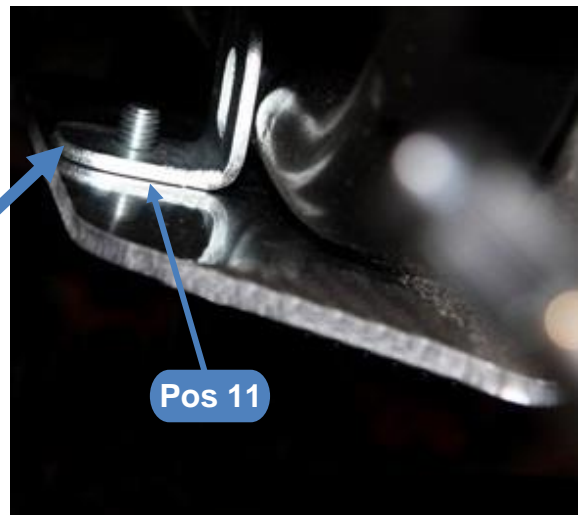
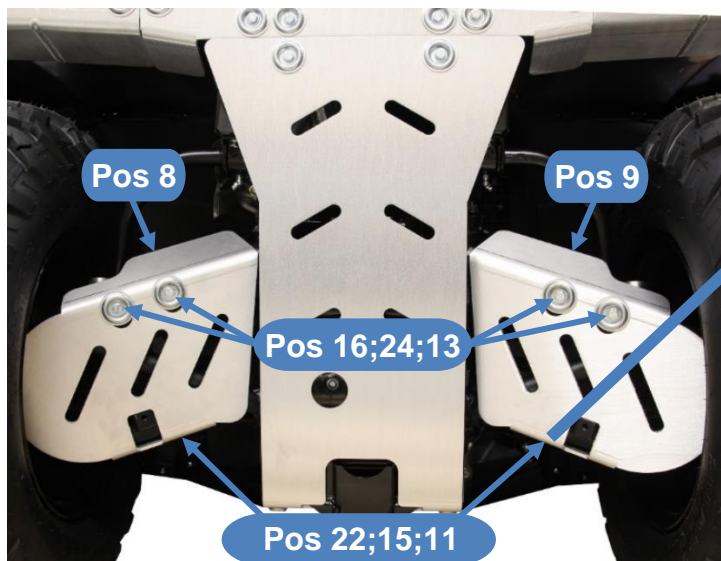
Step 7

Install the front arm protections (Pos.6; Pos.7). For fastening use M6x14 bolts (Pos.17), Ø6 mm washers (Pos.24) and dished washers (Pos.13).



Step 8

Install the rear arm protections (Pos.8; Pos.9). For fastening use M6x12 bolts (Pos.16), M8x20 bolts (Pos.22), Ø6 mm washers (Pos.24), Ø8 mm conical washers (Pos.15), dished washers (Pos.13) and installation brackets (Pos.11). First install the bracket (Pos.11) to the arm protection (do not tighten the bolt). Then place the protection on to the ATV's A-arm. Press the guard against the A-arm tube and tighten the bracket bolt so that the side of the bracket is against the A-arm tube. Finally, attach the other side of the A-arm protection.



IRON BALTIC

IRON BALTIC OÜ
Joa tee 17
Vääna 76903
Estonia / Europe

+372 6 533 711
sales@ironbaltic.com

www.ironbaltic.com
www.facebook.com/ironbaltic
www.youtube.com/user/ironbalticld