

IRON BALTIC

ALUMINIUM SKID PLATE

CECTEK

500 Gladiator

Code 02.2200

Version 29092023

DOWNLOAD MULTILINGUAL
USER MANUAL



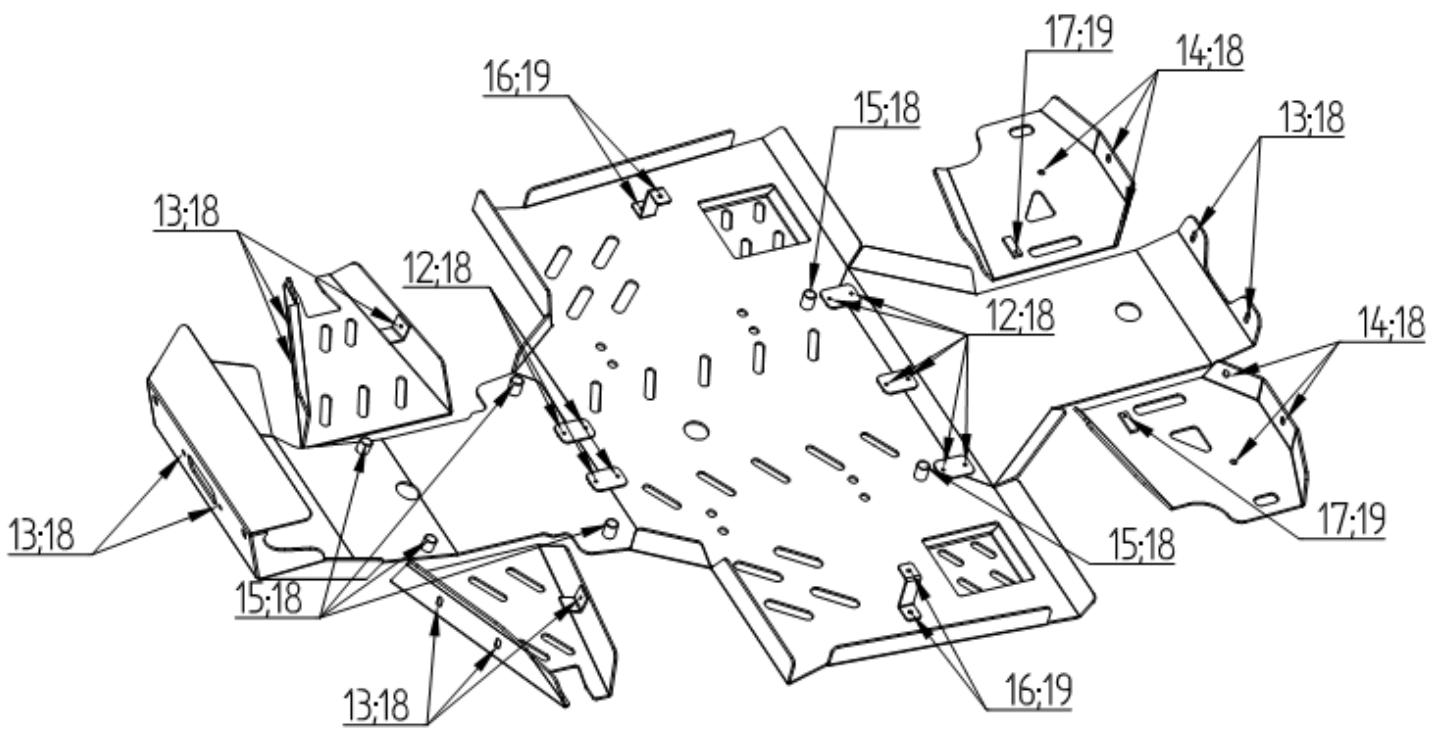
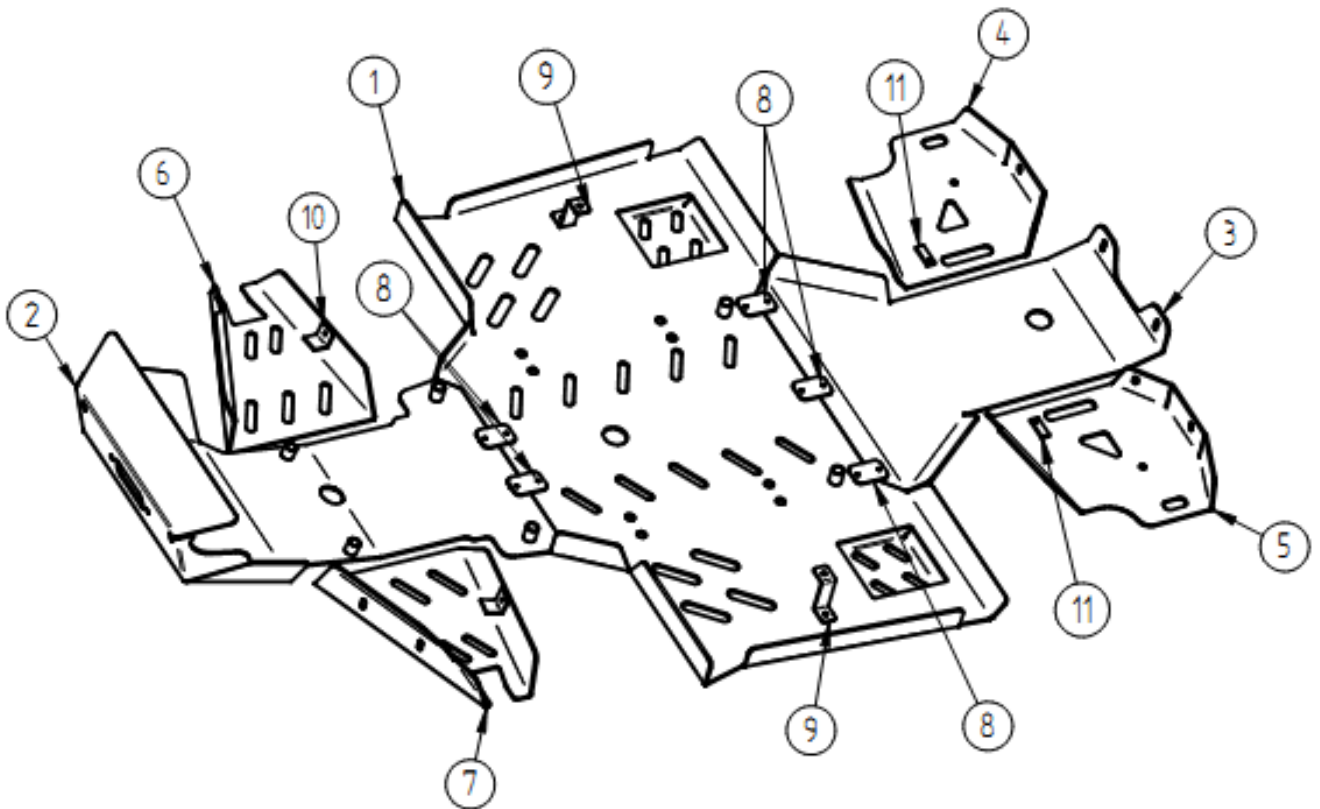
code.ironbaltic.com/u/SsPIHuEb

Keep this manual for future reference!

If you need any spare parts, please send this packaging data to your local dealer or to Iron Baltic
sales@ironbaltic.com

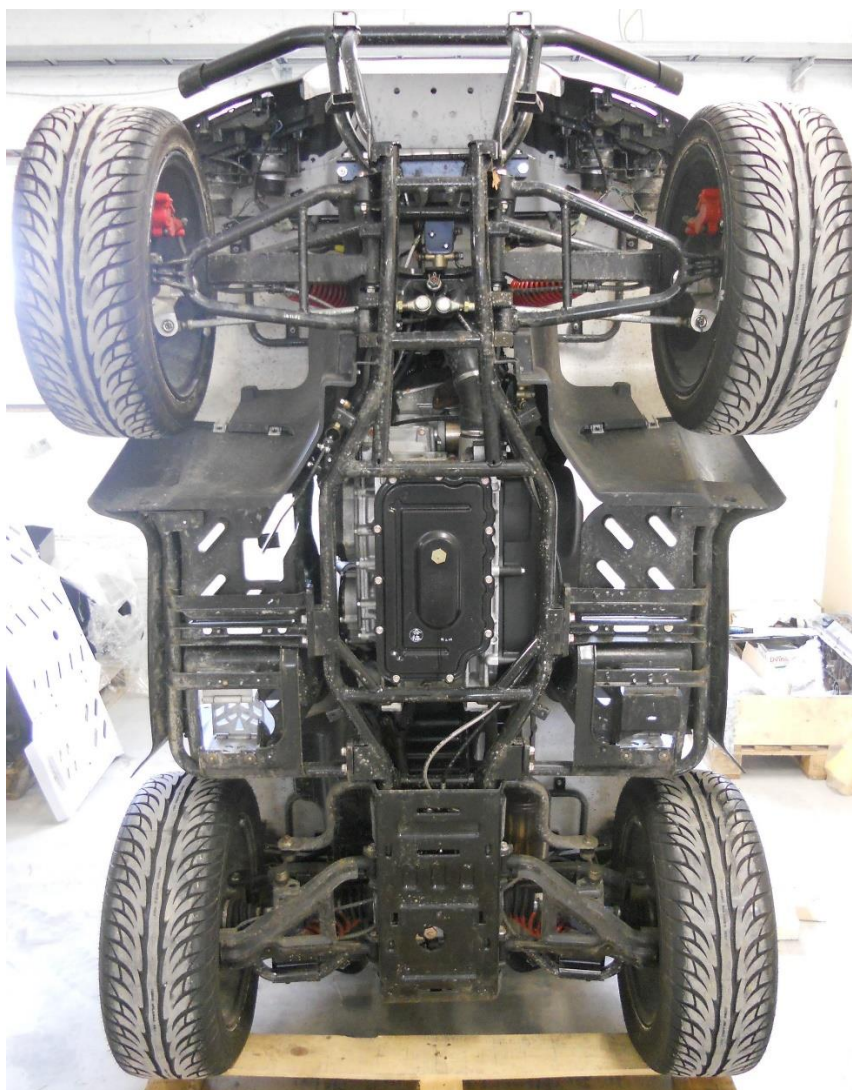
SPECIFICATION

Pos.	Description	Code	Amount
1	Middle part	02.2201K	1
2	Front part	02.2202K	1
3	Rear part	02.2203	1
4	Rear right arm protection	02.2205	1
5	Rear left arm protection	02.2206	1
6	Front right arm protection	02.3023	1
7	Front left arm protection	02.3024	1
8	Plate	02.5006	5
9	Bracket	02.2209	2
10	Clamp M6	02.813	2
11	Clamp for rear arm protection	02.4011	2
12	Bolt M6x16 DIN 7991	OT.02.04.020	10
13	Bolt M6x20 DIN 7991	OT.02.04.030	10
14	Bolt M6x25 DIN 7991	OT.02.04.040	6
15	Bolt M6x50 DIN 7991	OT.02.04.080	6
16	Bolt M8x20 DIN 7991	OT.02.04.150	4
17	Bolt M8x25 DIN 7991	OT.02.04.160	2
18	Conical washer Ø6	14.502	32
19	Conical washer Ø8	14.501	6

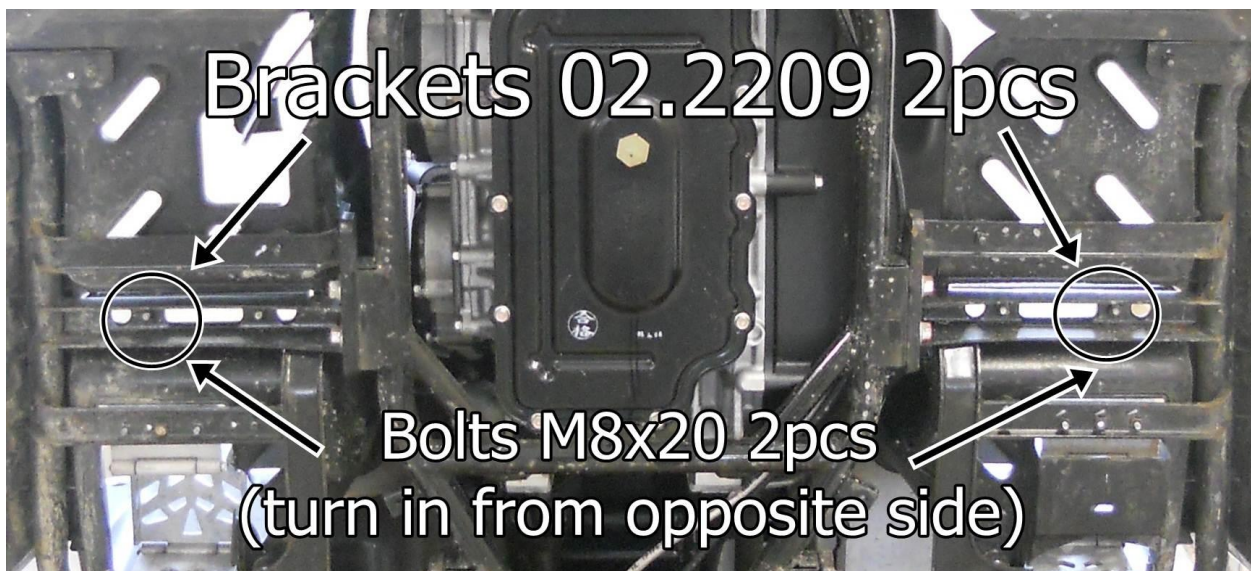


FITTING INSTRUCTIONS

Step 1 Remove all standard plastic covers.

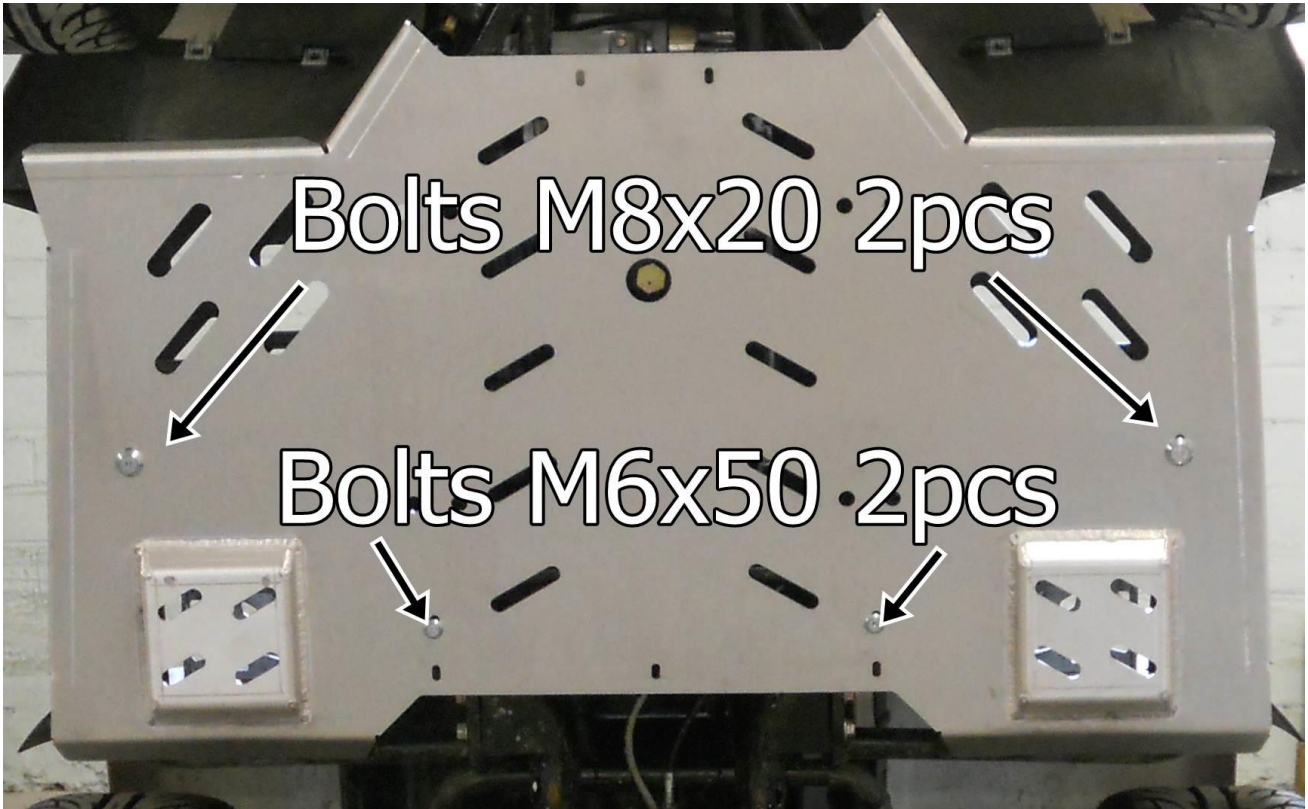


Step 2 Install brackets 02.2209 (are not shown in the picture), use bolts M8x20.



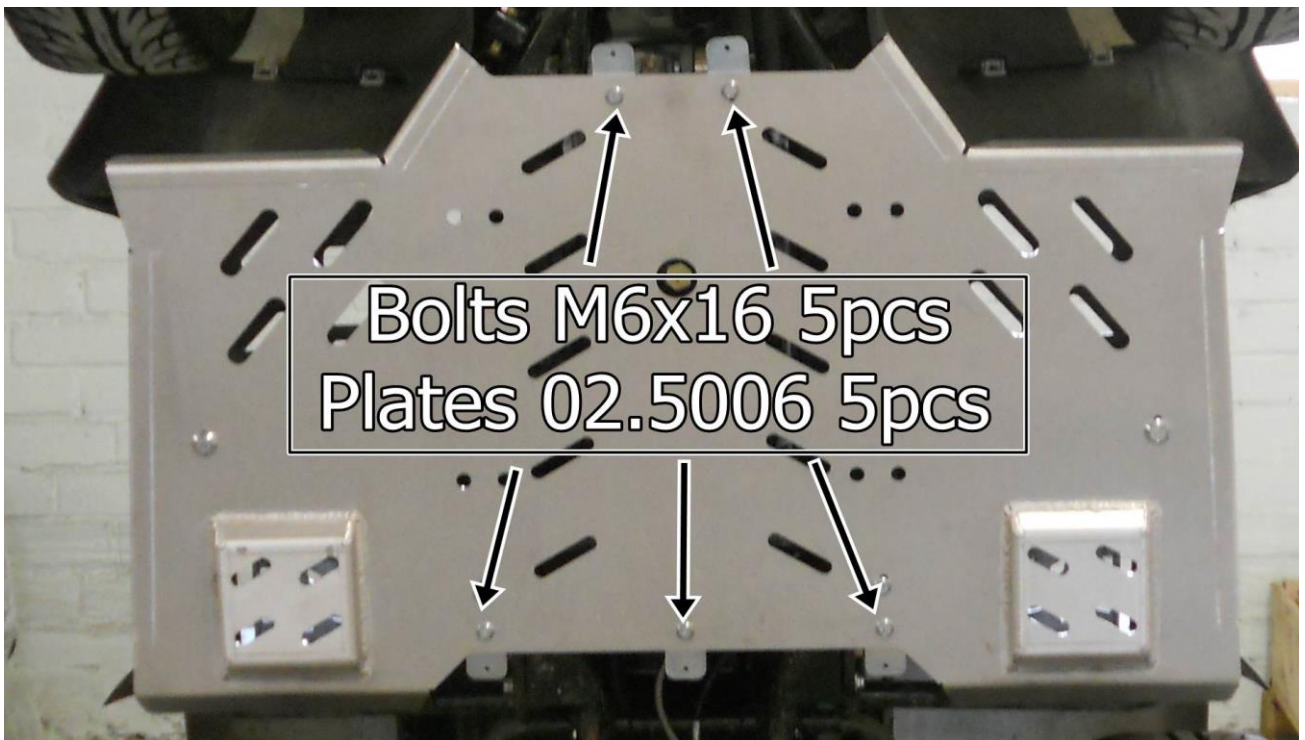
Step 3

Install middle part, use bolts M6x50 and M8x20.



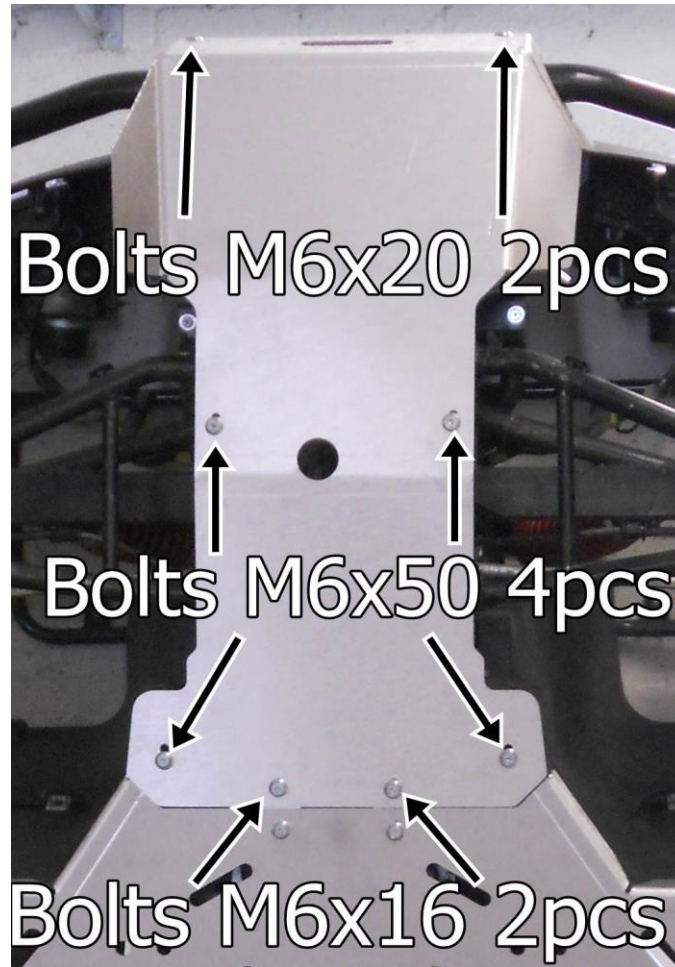
Step 4

Install plates 02.5006 to middle part, use bolts M6x16.



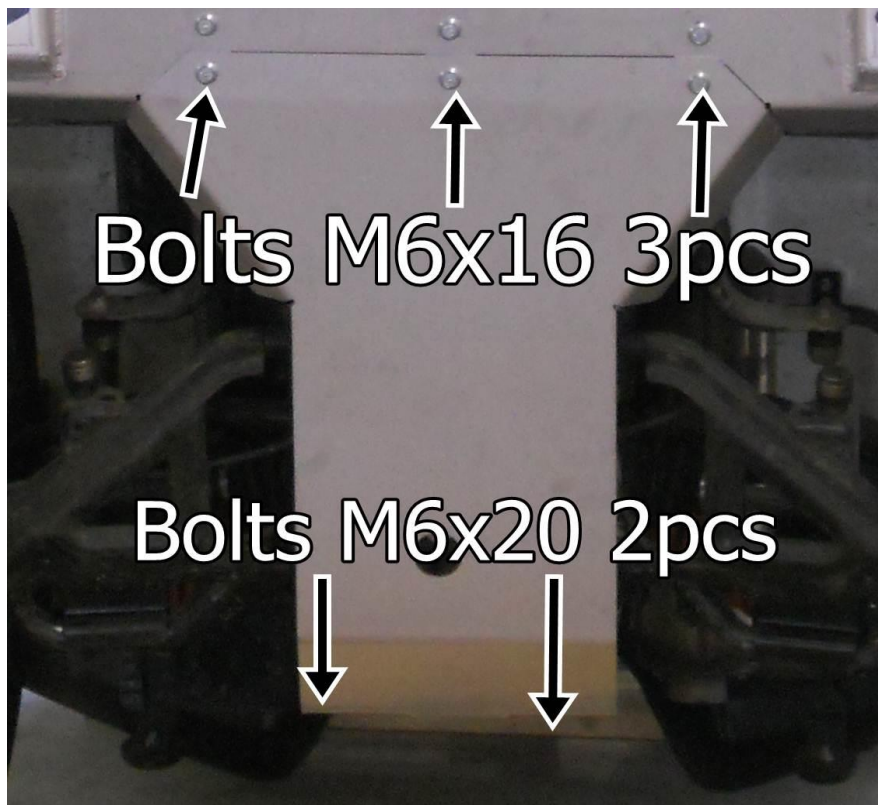
Step 5

Install front part, use bolts M6x16, M6x20 and M6x50.



Step 6

Install rear part, use bolts M6x16 and M6x20.



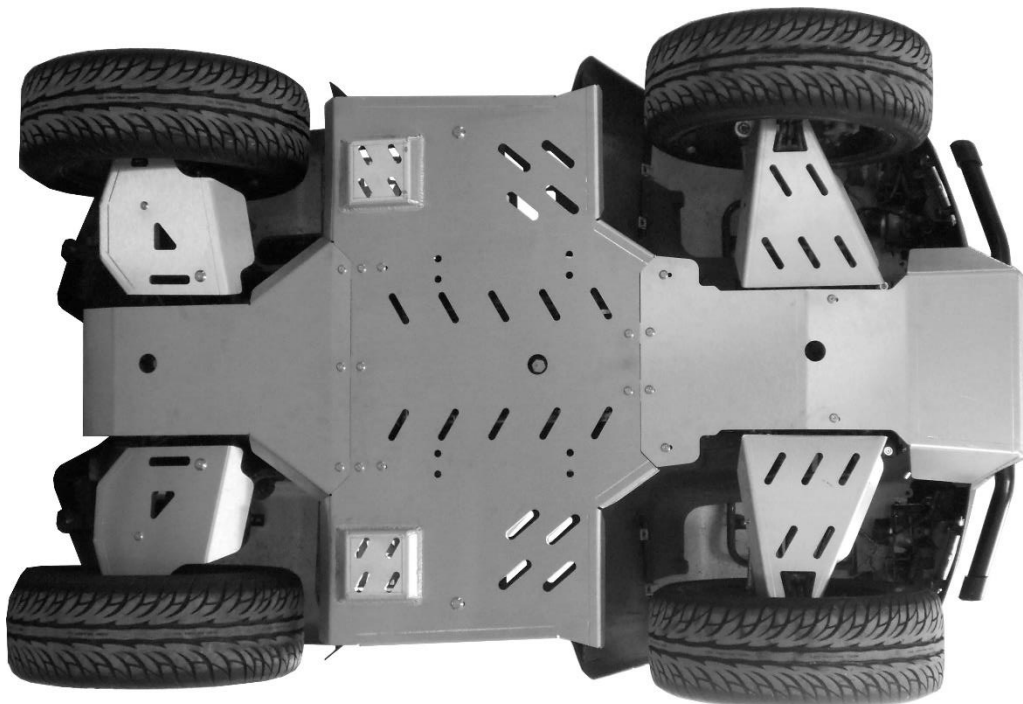
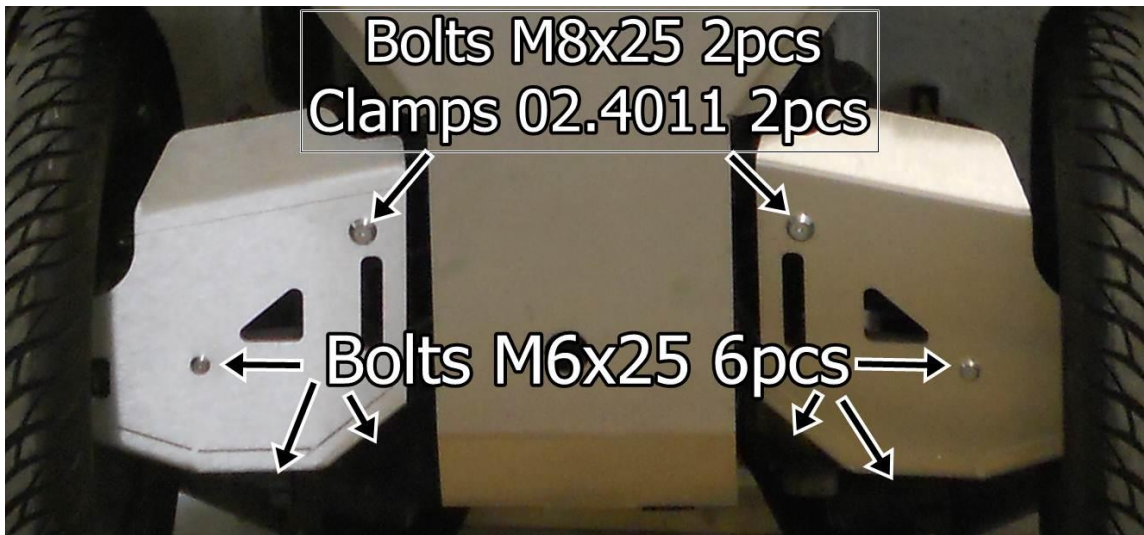
Step 7

Install front arms protections, use clamps 02.813, bolts M6x20.



Step 8

Install rear arms protections, use clamps 02.4011, bolts M6x25 and M8x25.



IRON BALTIC

IRON BALTIC OÜ
Joa tee 17
Vääna 76903
Estonia / Europe

+372 6 533 711
sales@ironbaltic.com

www.ironbaltic.com
www.facebook.com/ironbaltic
www.youtube.com/user/ironbalticLtd

