

IRON BALTIC

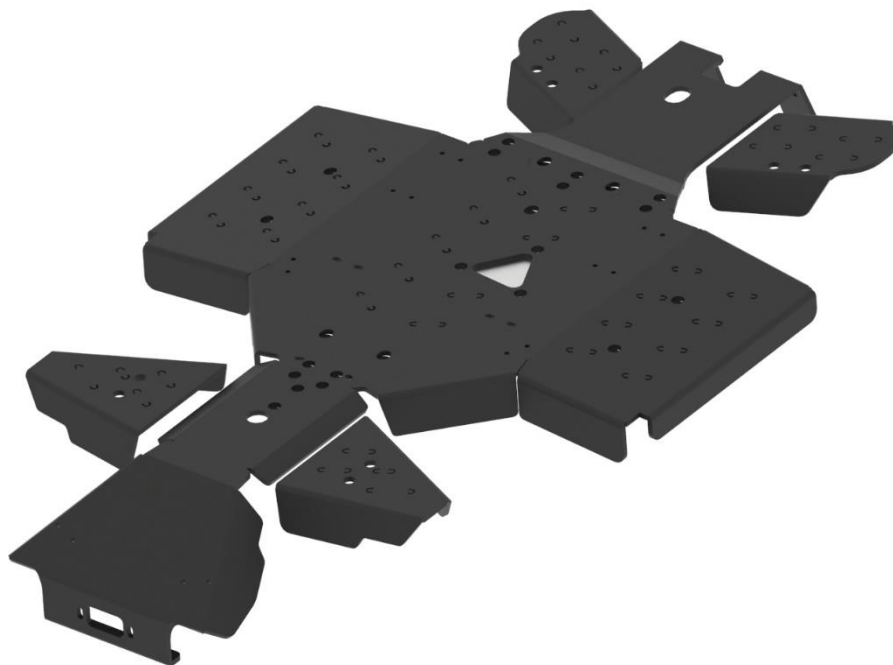
PLASTIC SKID PLATE

GOES

Iron/ Cobalt

Code 02.19900

Version 14092023



Keep this manual for future reference!

If you need any spare parts, please send this packaging data to your local dealer or to Iron Baltic sales@ironbaltic.com

Iron Baltic Ltd | +372 653 3711 | sales@ironbaltic.com | www.ironbaltic.com

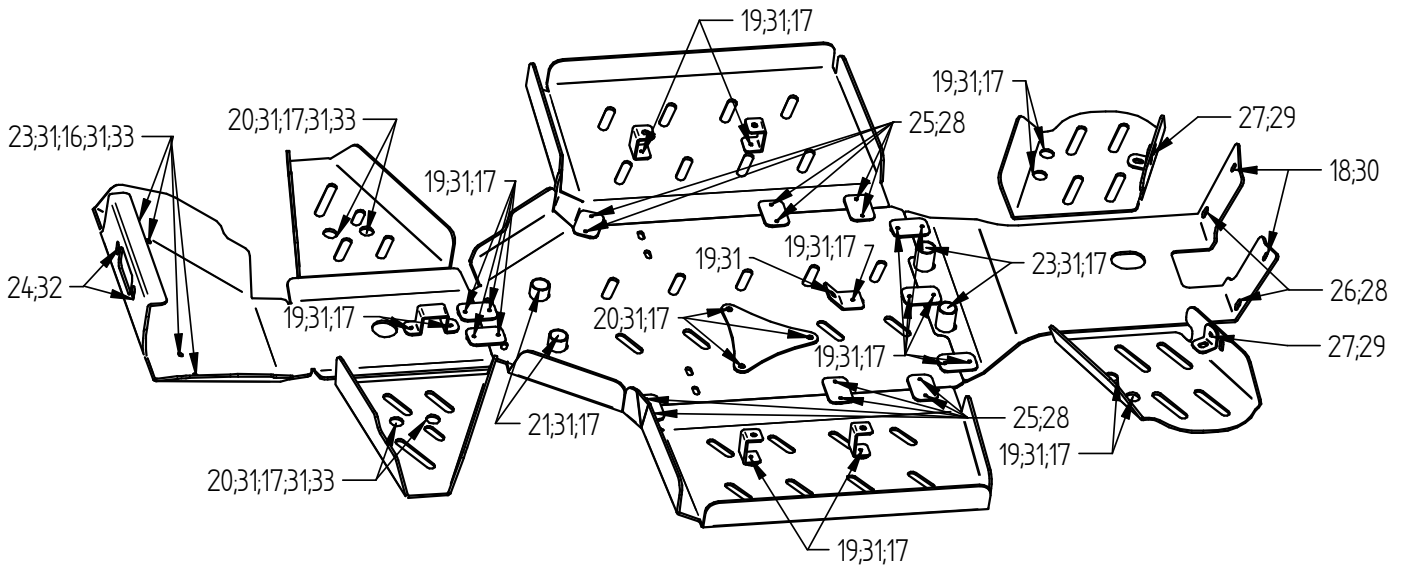
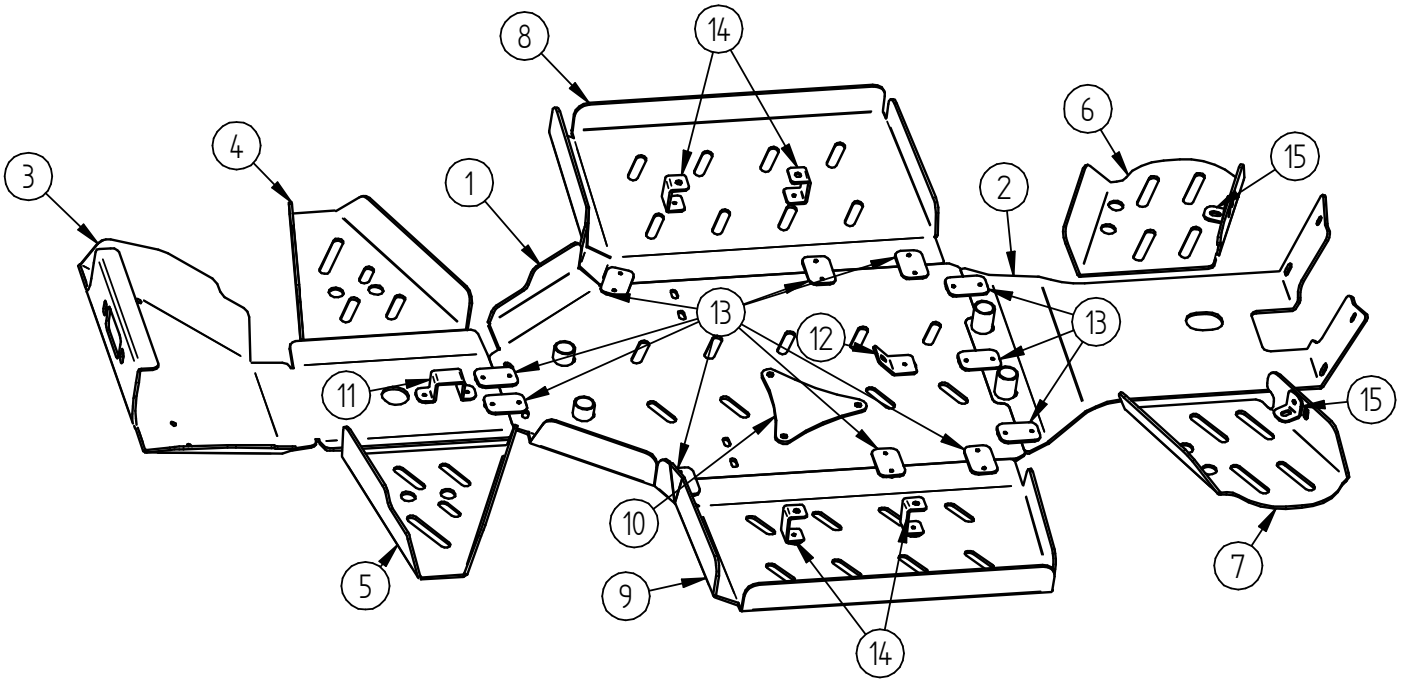
DOWNLOAD MULTILINGUAL
USER MANUAL



code.ironbaltic.com/u/DuPLn93a

SPECIFICATION

Pos.	Description	Code	Amount
1	Middle part	02.19901K	1
2	Rear part	02.19902K	1
3	Front part	02.19702	1
4	Front left arm protection	02.1137V+	1
5	Front right arm protection	02.1137P+	1
6	Rear left arm protection	02.1138V+	1
7	Rear right arm protection	02.1138P+	1
8	Right side protection	02.6204	1
9	Left side protection	02.6205	1
10	Oil drain cover	02.15006	1
11	Front protection bracket	02.19604	1
12	Installation plate	02.718	1
13	Plate	02.5006	11
14	Bracket	02.6408	4
15	Angle	03.1502	2
16	Clamp 38mm	OT.05.04.030	2
17	Dished washer	14.503	32
18	Screw 4,8x25 DIN 7504-K	OT.01.02.055	2
19	Bolt M6x16 DIN 933	OT.02.02.050	22
20	Bolt M6x25 DIN 933	OT.02.02.070	7
21	Bolt M6x45 DIN 933	OT.02.02.110	2
22	Bolt M6x60 DIN 933	OT.02.02.140	2
23	Bolt M6x65 DIN 933	OT.02.02.145	4
24	Bolt M8x30 DIN 933	OT.02.02.200	2
25	Bolt M6x20 DIN 7991	OT.02.04.030	12
26	Bolt M6x25 DIN 7991	OT.02.04.040	2
27	Bolt M8x25 DIN 7991	OT.02.04.160	2
28	Conical washer Ø6	14.502	14
29	Conical washer Ø8	14.501	2
30	Washer Ø5/15 DIN 9021	OT.04.02.010	2
31	Washer Ø6/15 SFS 3738	OT.04.03.020	45
32	Washer Ø8/20 SFS 3738	OT.04.03.030	2
33	Nyloc nut M6 DIN 985	OT.03.02.030	8

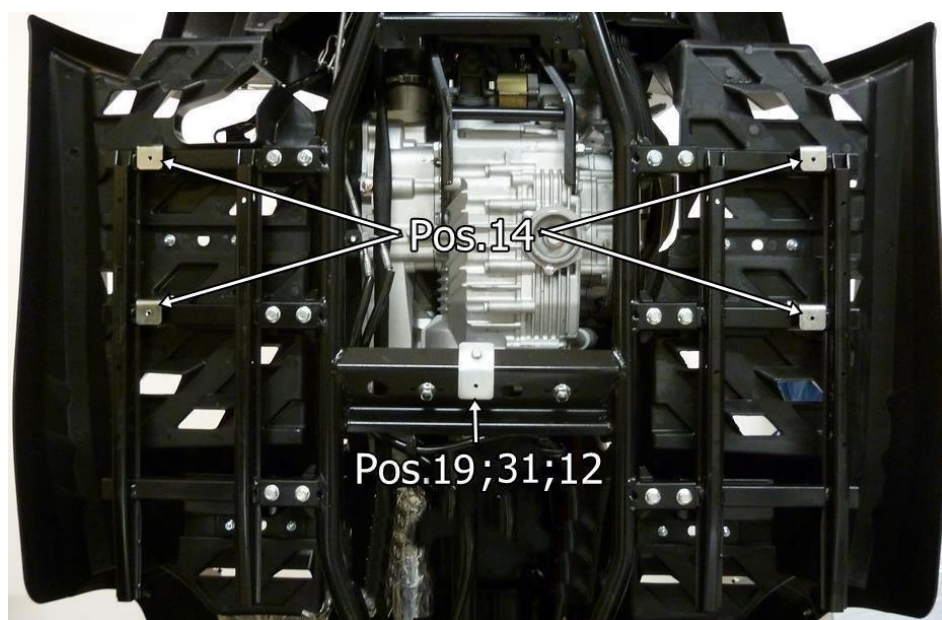


FITTING INSTRUCTIONS

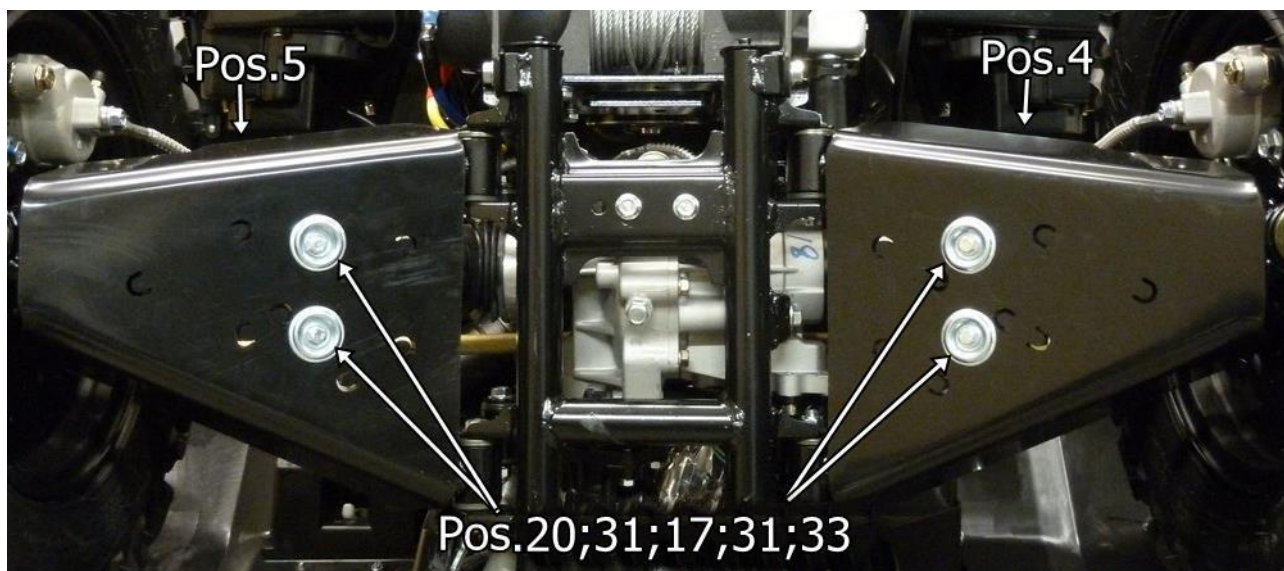
Step 1 Remove all standard plastic covers and roller.



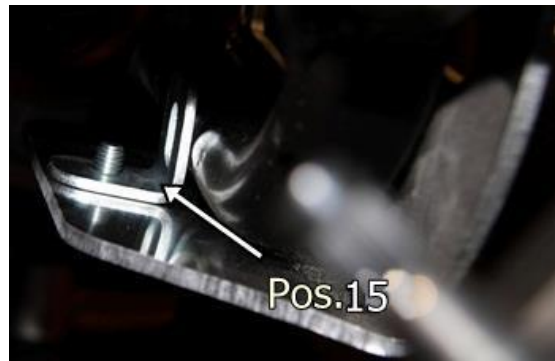
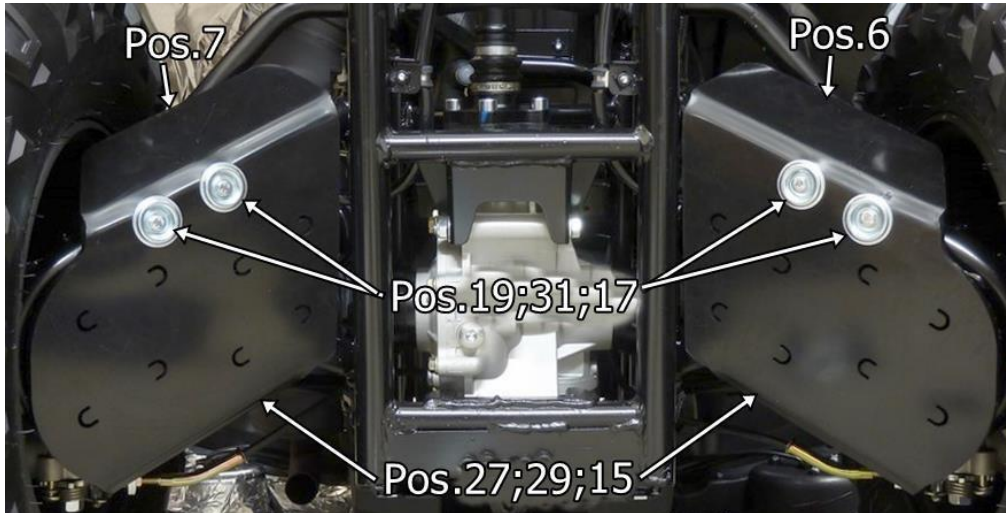
Step 2 Install installation plates 02.718 and 02.6408.



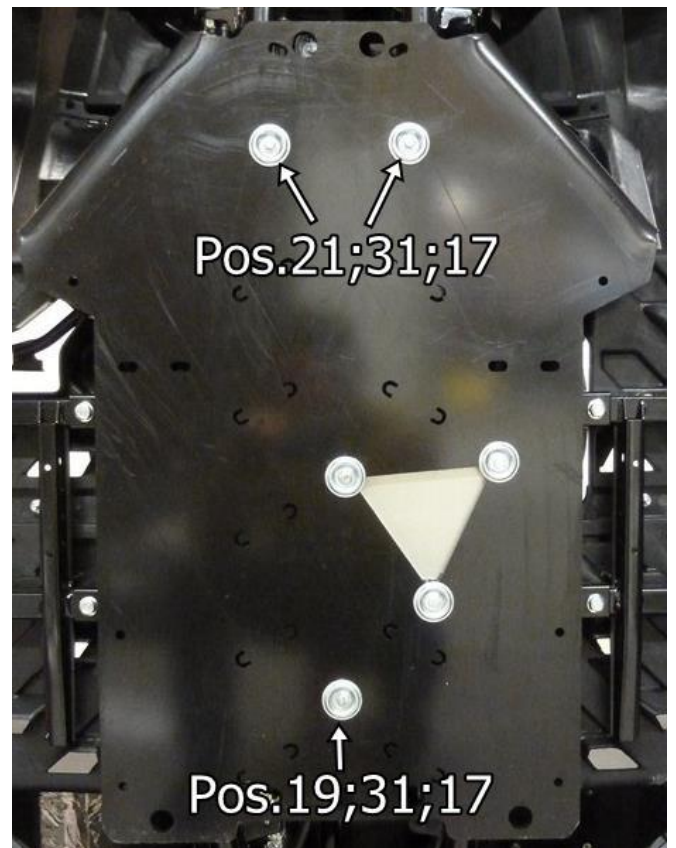
Step 3 Install front a-arm protectors 02.1137V+ ja 02.1137P+.



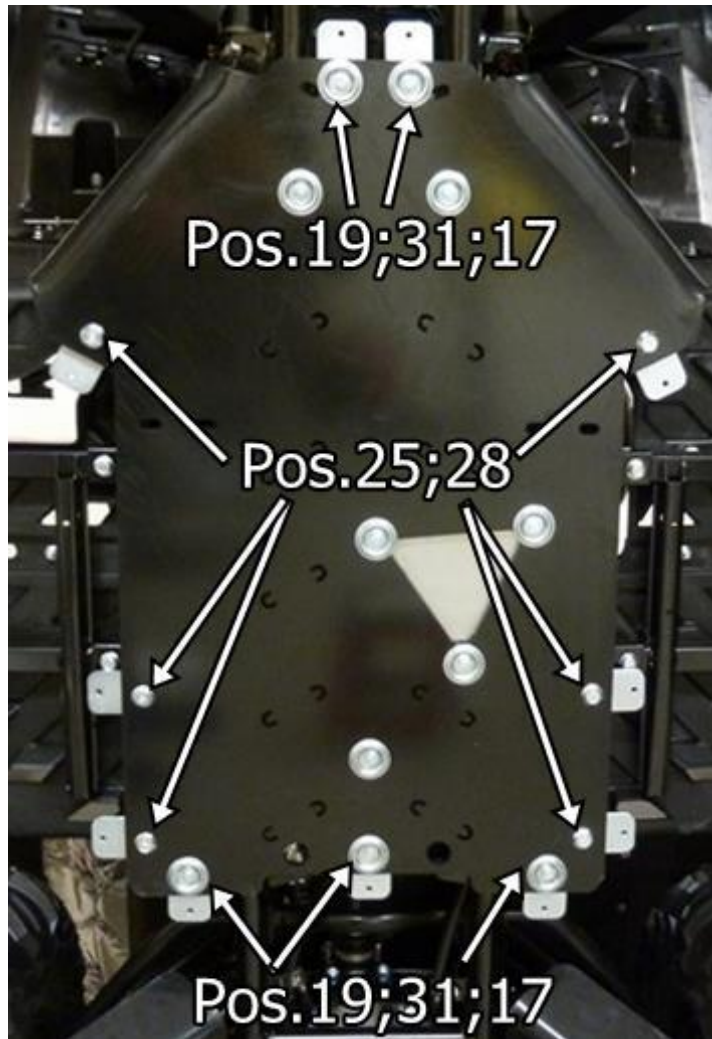
Step 4 Install rear a-arm protectors 02.1138V+ ja 02.1138P+.



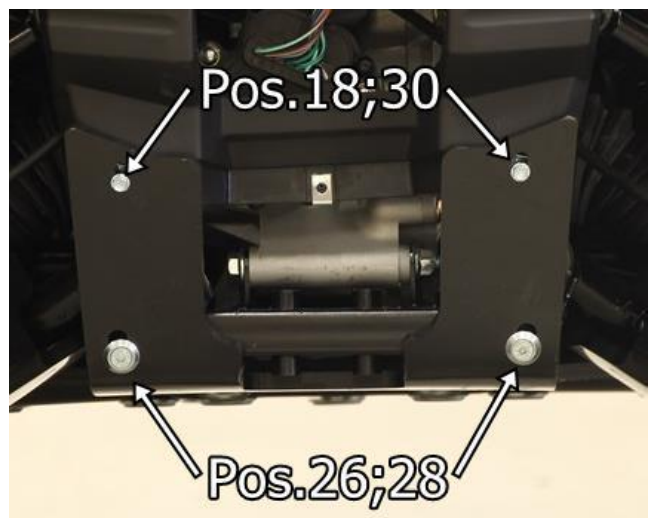
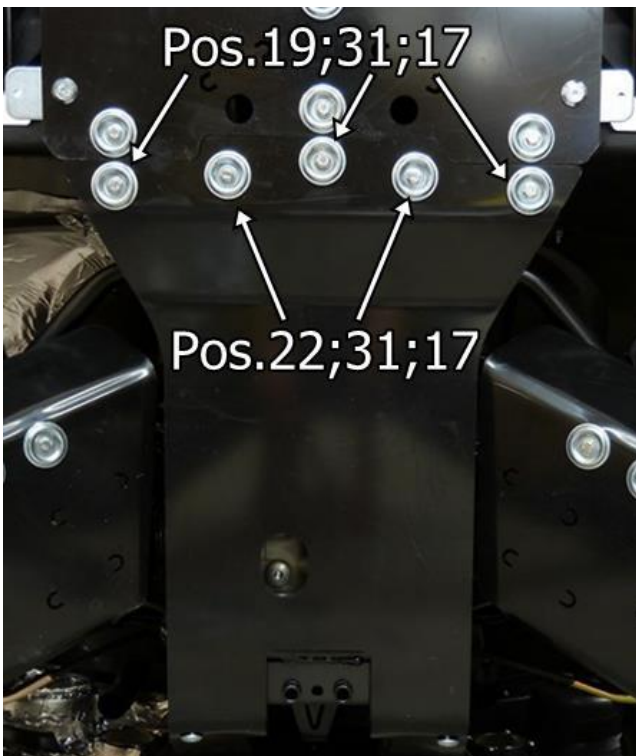
Step 5 Install oil drain hole cover 02.15006 and install middle protection 02.19901K.



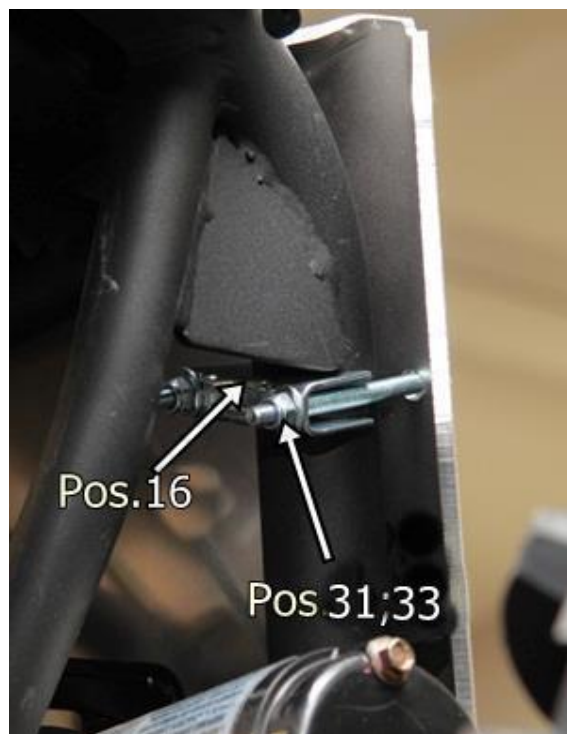
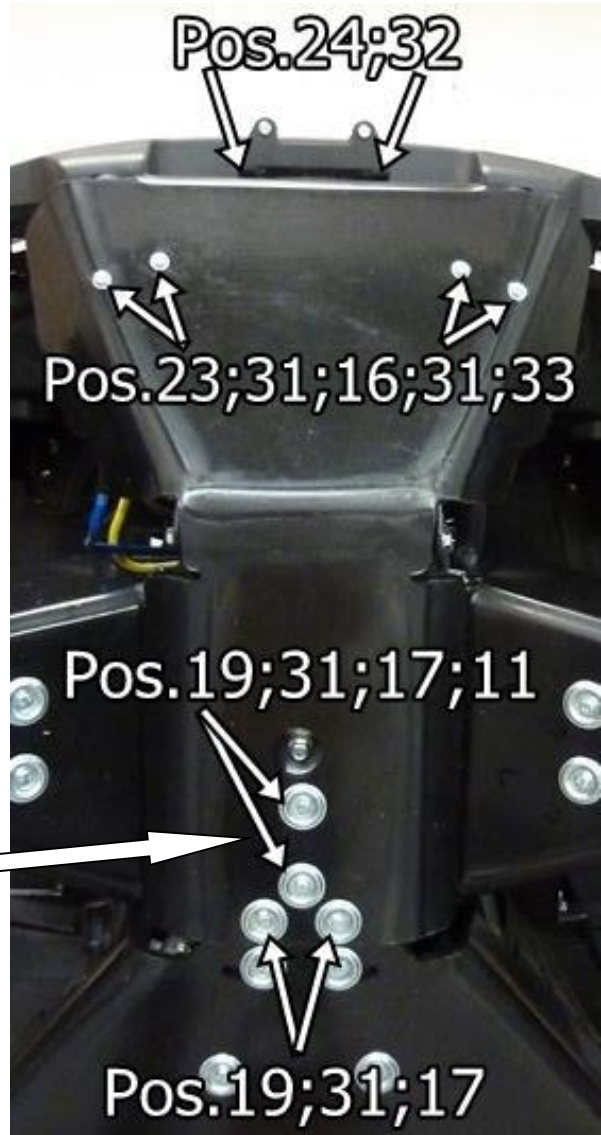
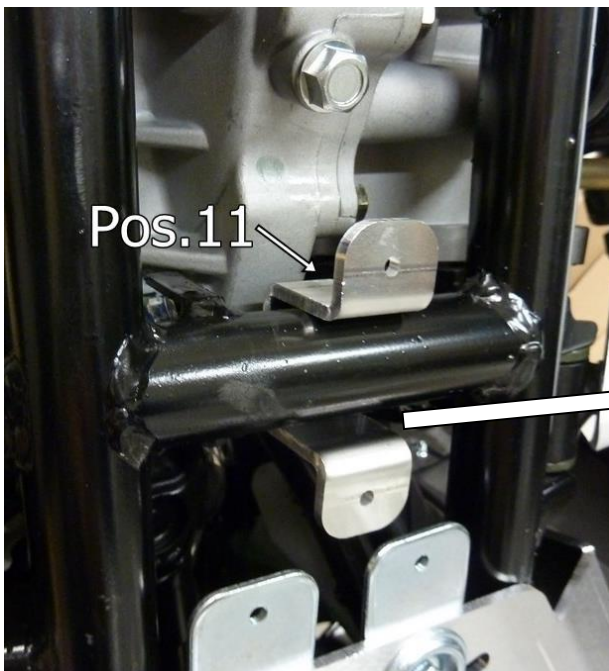
Step 6 Install plates 02.5006 to the middle part.



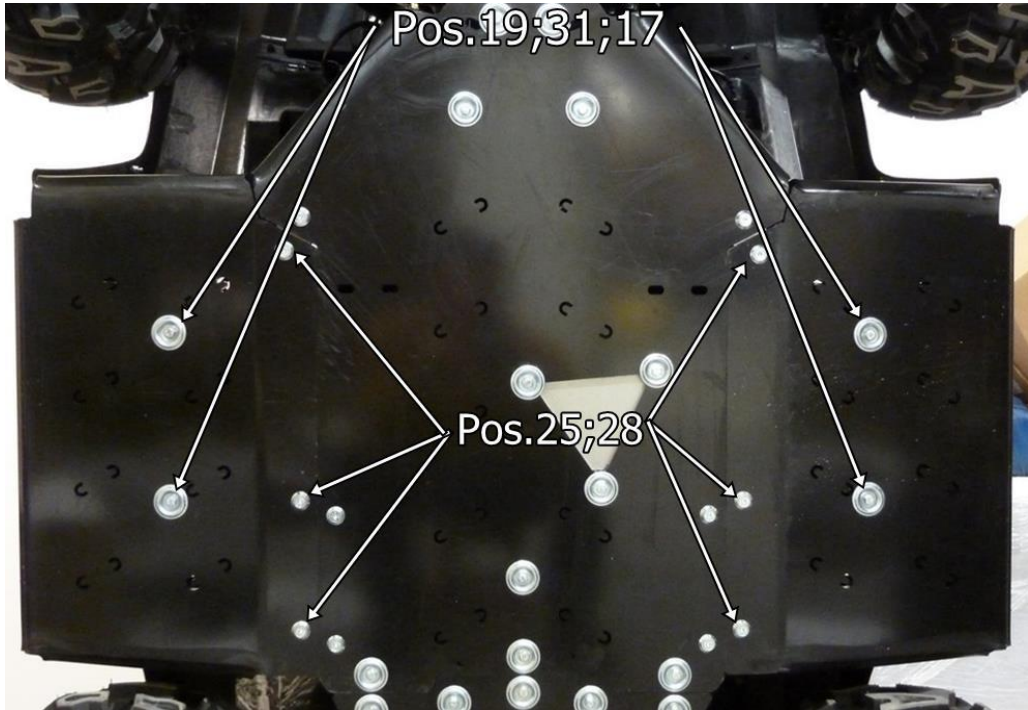
Step 7 Install rear part 02.19903K.



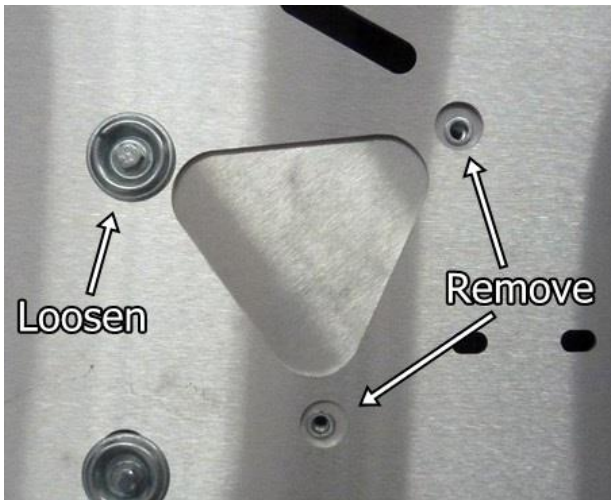
Step 8 Install front protection 02.19702.



Step 9 Install side protection 02.6204 and 02.6205.



Step 10 To remove the oil cover plate, remove two bolts indicated with arrows and loosen the third bolt. Slide the plate away.



IRON BALTIC

IRON BALTIC OÜ
Joa tee 17
Vääna 76903
Estonia / Europe

+372 6 533 711
sales@ironbaltic.com

www.ironbaltic.com
www.facebook.com/ironbaltic
www.youtube.com/user/ironbalticLtd

