

# IRON BALTIC

## PLASTIC SKID PLATE

# YAMAHA

## YFM 450 Grizzly (2006)

Code 02.1960

Version 11092023

DOWNLOAD MULTILINGUAL  
USER MANUAL



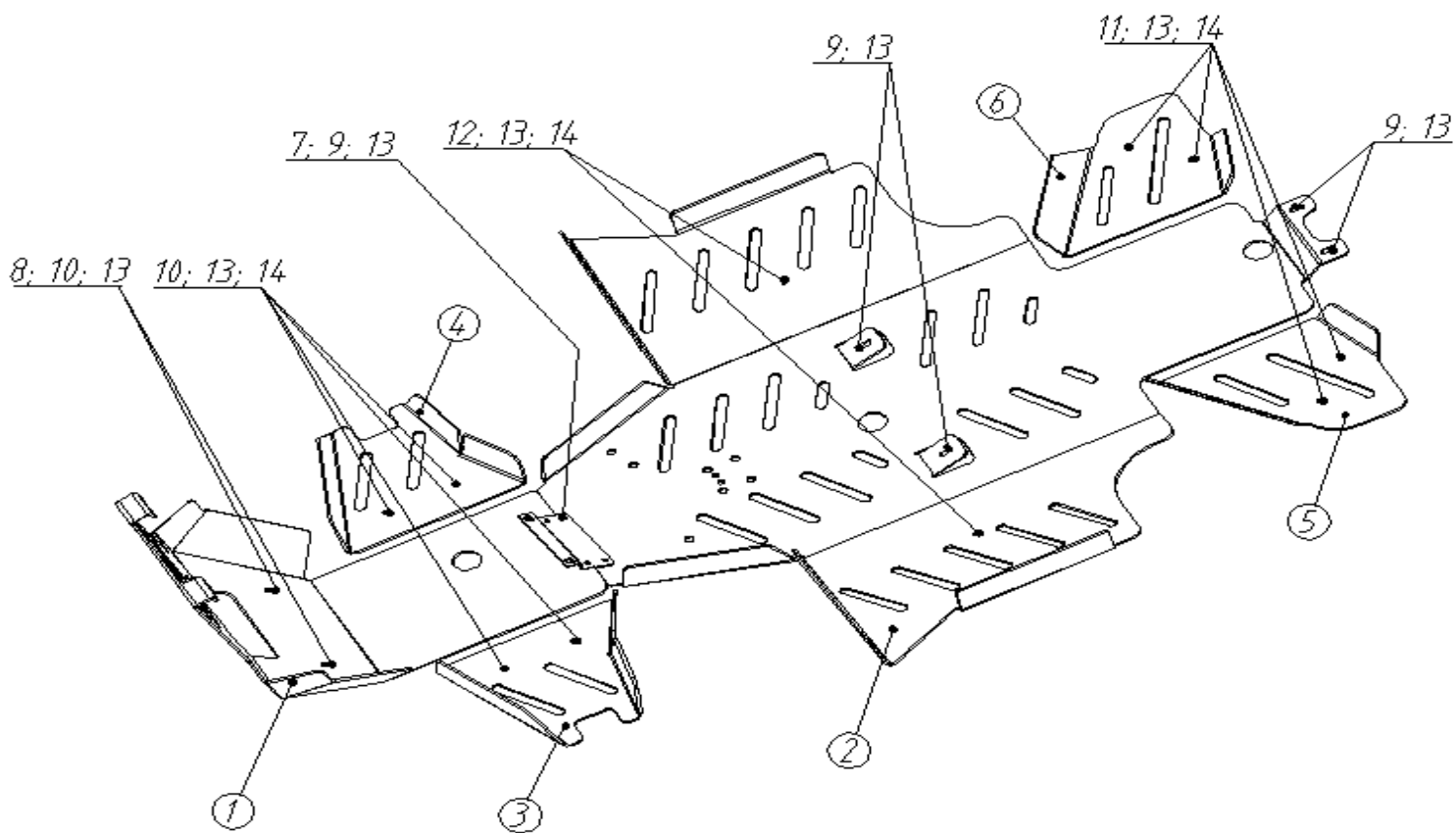
[code.ironbaltic.com/u/mUwJPwND](https://code.ironbaltic.com/u/mUwJPwND)

**Keep this manual for future reference!**

If you need any spare parts, please send this packaging data to your local dealer or to Iron Baltic  
[sales@ironbaltic.com](mailto:sales@ironbaltic.com)

# SPECIFICATION

Pos.	Description	Code	Amount
1	Front protection	02.1962	1
2	Skid plate	02.1961	1
3	Front left arm protection	02.3013	1
4	Front right arm protection	02.3014	1
5	Rear left arm protection	02.3015	1
6	Rear right arm protection	02.3016	1
7	Intallation profile	02.3017	1
8	Distance part H=20mm (welded to front part)	02.708	2
9	Polt M6x20 ISO7380	OT.02.03.030	10
10	Polt M6x40 ISO7380	OT.02.03.060	6
11	Polt M6x50 ISO7380	OT.02.03.070	4
12	Polt M6x60 ISO7380	OT.02.03.075	2
13	Washer Ø6/18 DIN 9021	OT.04.02.020	32
14	Nyloc nut M6 DIN 985	OT.03.02.030	10



# IRON BALTIC

IRON BALTIC OÜ  
Joa tee 17  
Vääna 76903  
Estonia / Europe

+372 6 533 711  
[sales@ironbaltic.com](mailto:sales@ironbaltic.com)

[www.ironbaltic.com](http://www.ironbaltic.com)  
[www.facebook.com/ironbaltic](https://www.facebook.com/ironbaltic)  
[www.youtube.com/user/ironbalticLtd](https://www.youtube.com/user/ironbalticLtd)

