

IRON BALTIC

DOWNLOAD MULTILINGUAL
USER MANUAL



code.ironbaltic.com/u/BXgVTWVb

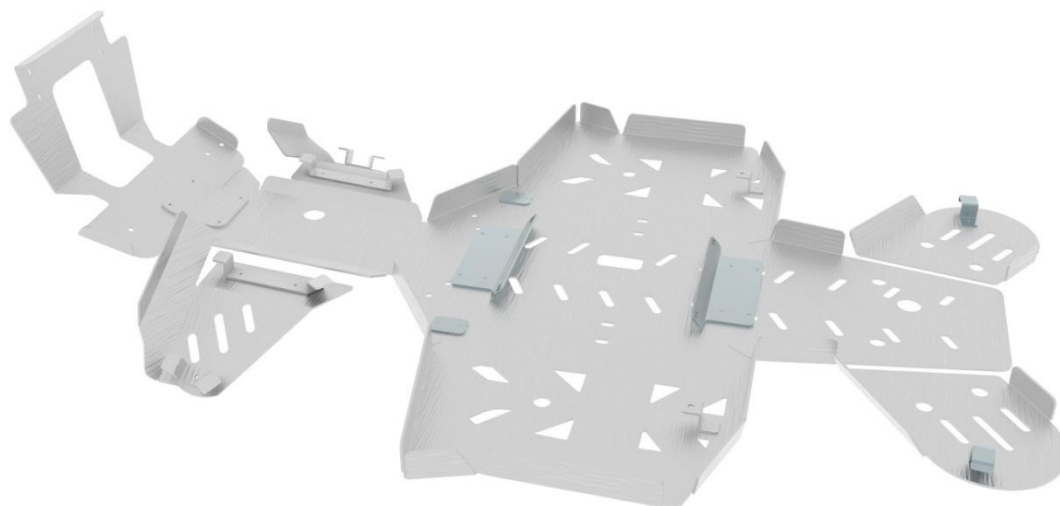
ALUMINIUM SKID PLATE

GOES

725

Code 02.14300

Version 30082023

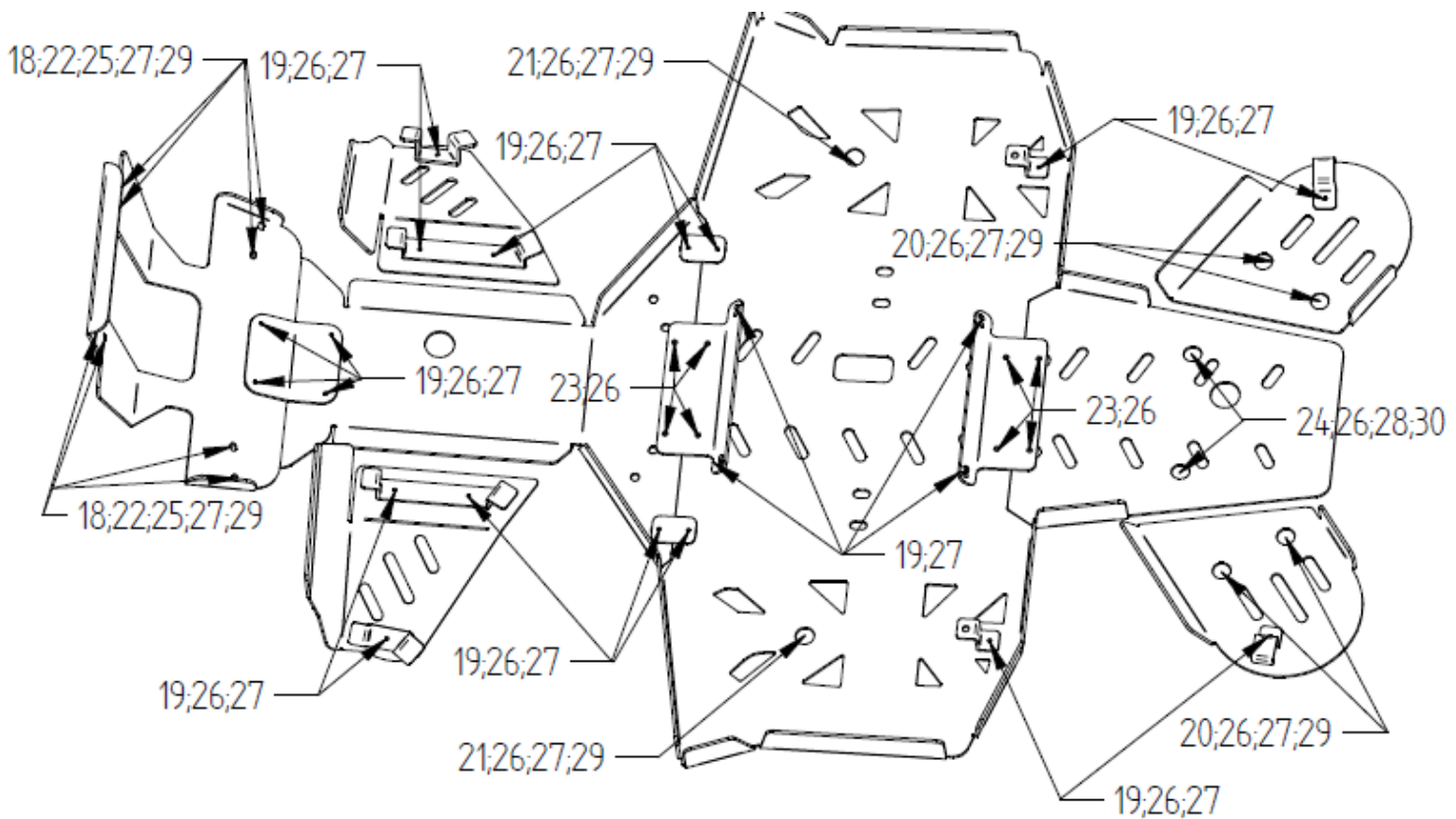
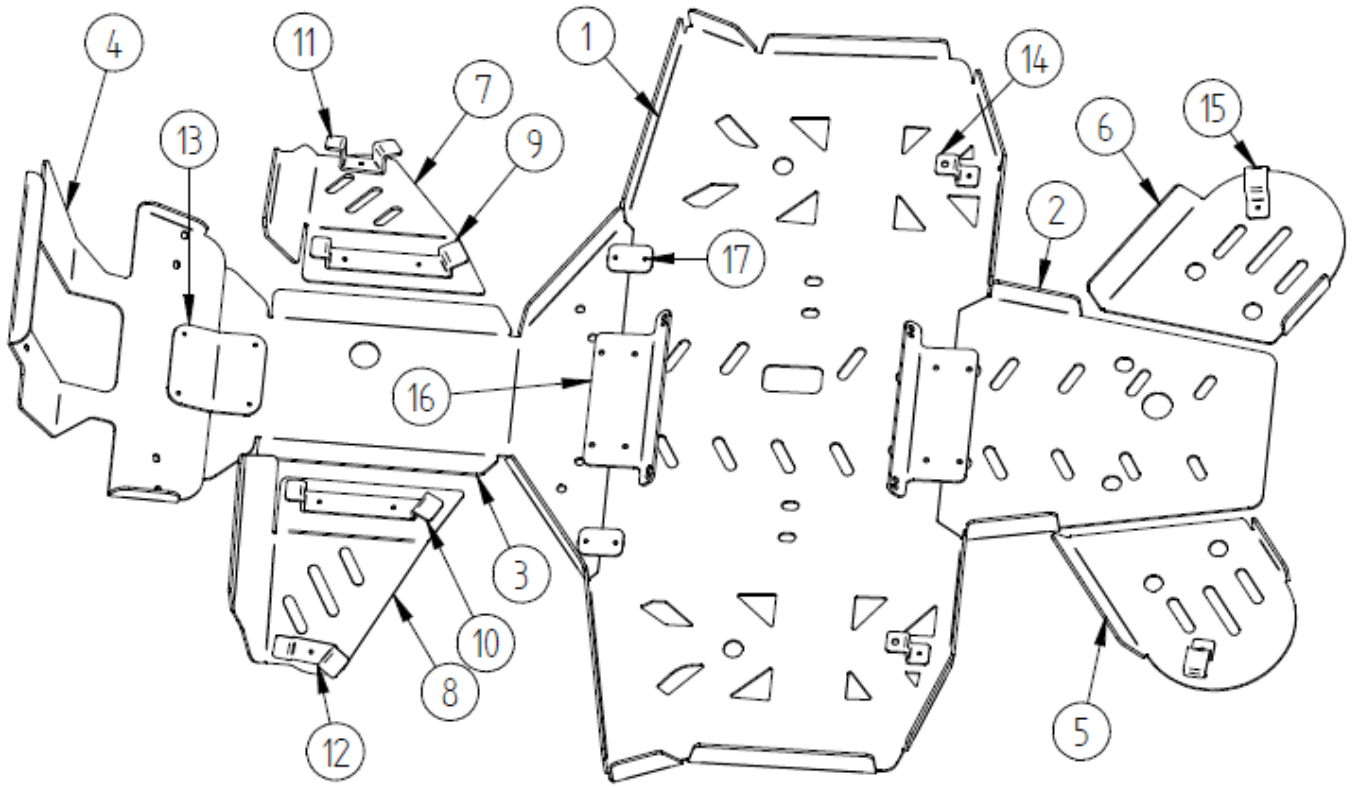


Keep this manual for future reference!

If you need any spare parts, please send this packaging data to your local dealer or to Iron Baltic
sales@ironbaltic.com

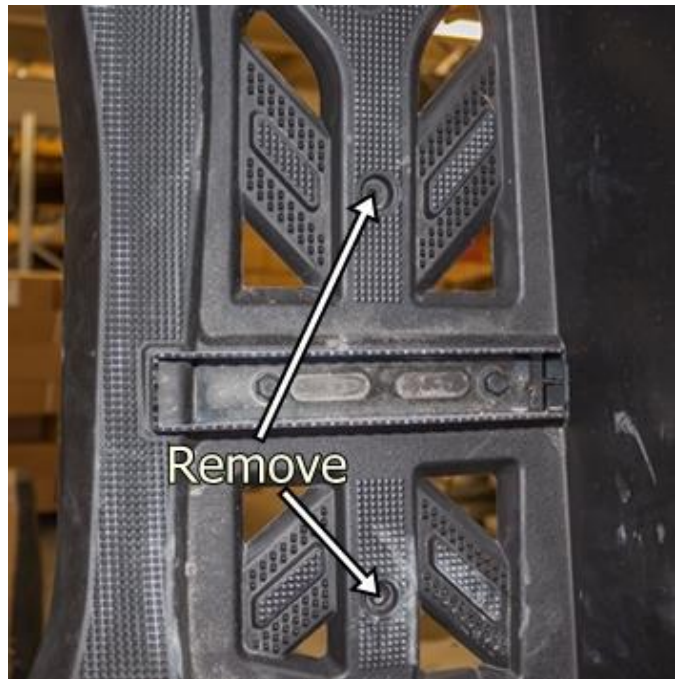
SPECIFICATION

Pos.	Description	Code	Amount
1	Middle part	02.14301	1
2	Rear part	02.14302	1
3	Front part 1	02.14309	1
4	Front part 2	02.14310	1
5	Rear left arm protection	02.14304-V	1
6	Rear right arm protection	02.14304-P	1
7	Front right arm protection	02-14303-P	1
8	Front left arm protection	02-14303-V	1
9	Front right arm 1 bracket	02.14306-PK	1
10	Front left arm 1 bracket	02.14306-VK	1
11	Front right arm 2 bracket	02.14307-PK	1
12	Front right arm 2 bracket	02.14307-VK	1
13	Front part bracket	02.14305K	1
14	Middle part bracket	02.14308K	2
15	Rear arm protection bracket	02.5709	2
16	Intallation plate	02.11401	2
17	Intallation plate	02.5006	2
18	Pipe clamp bracket 38mm	OT.05.04.030	4
19	Bolt M6x20 DIN 933	OT.02.02.060	22
20	Bolt M6x40 DIN 933	OT.02.02.100	4
21	Bolt M6x50 DIN 933	OT.02.02.120	2
22	Bolt M6x70 DIN 7991	OT.02.04.100	8
23	Bolt M8x16 DIN 933	OT.02.02.170	8
24	Bolt M8x40 DIN 933	OT.02.02.220	2
25	Washer 6	14.502	8
26	Dished washer	14.503	34
27	Washer Ø6/15 SFS 3738	OT.04.03.020	42
28	Washer Ø8/20 SFS 3738	OT.04.03.030	2
29	Nyloc nut M6 DIN 985	OT.03.02.030	14
30	Nyloc nut M8 DIN 985	OT.03.02.040	2

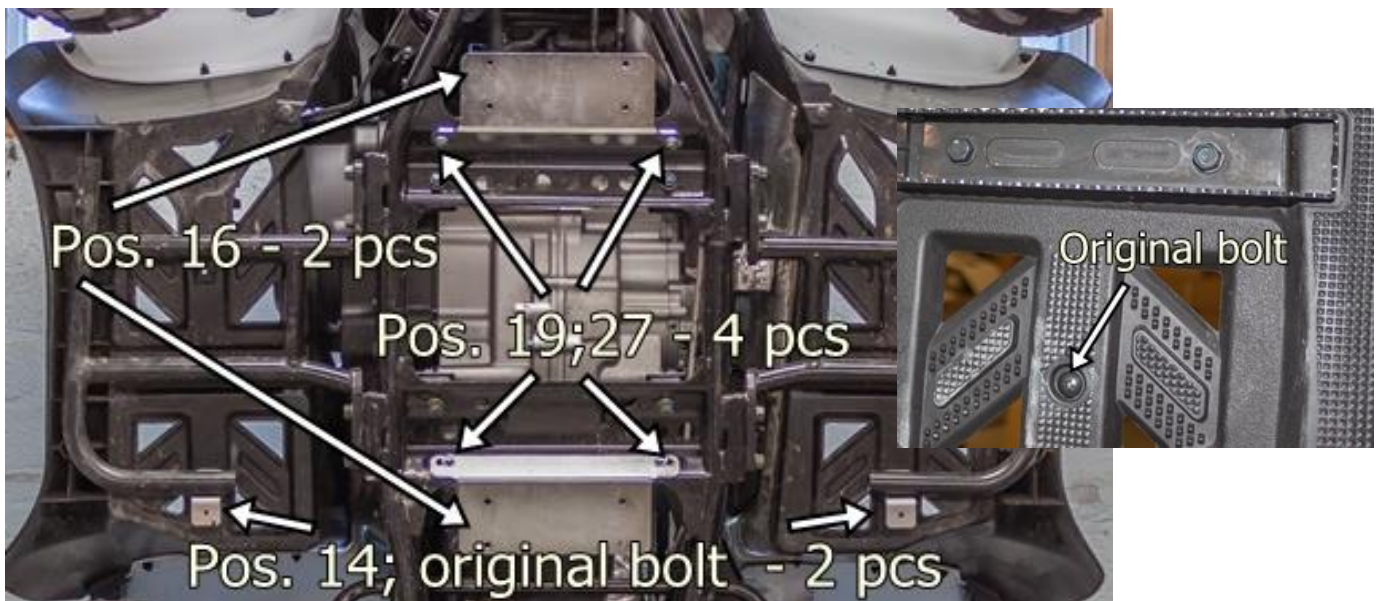


FITTING INSTRUCTIONS

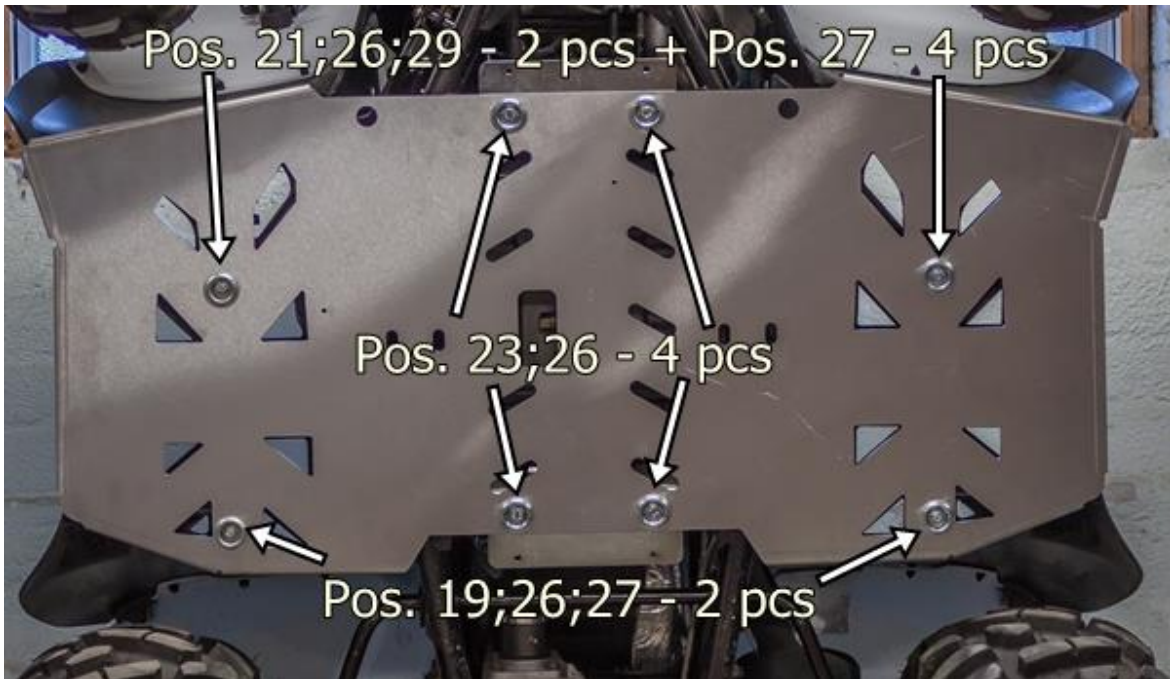
Step 1 Remove all standard covers and 4 bolts.



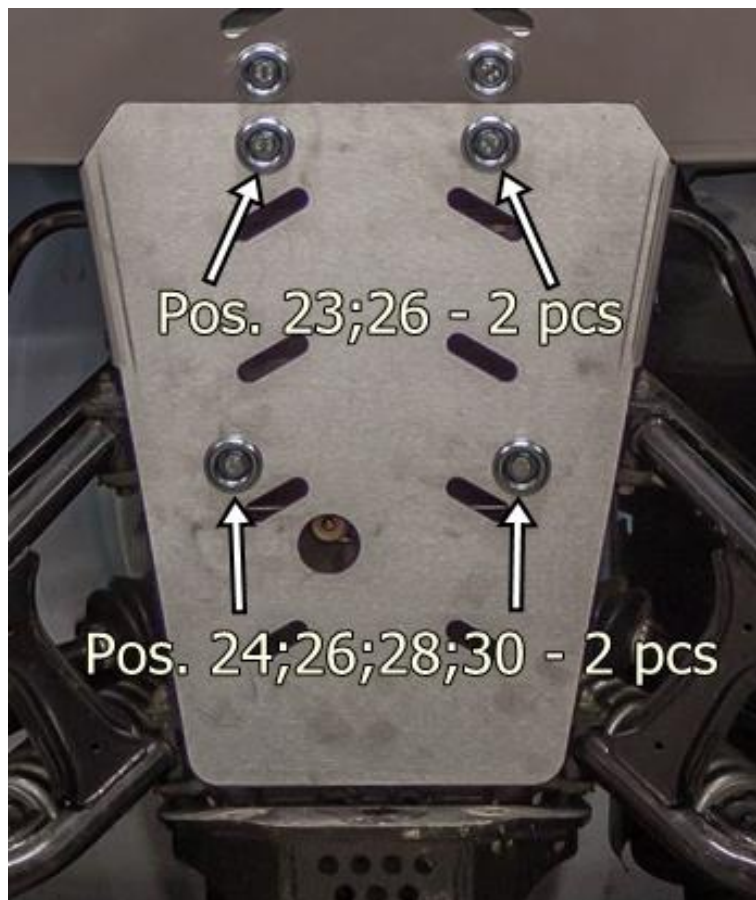
Step 2 Install installation plates 02.11401 and 02.14308. 02.14308 goes between frame and plastic cover.



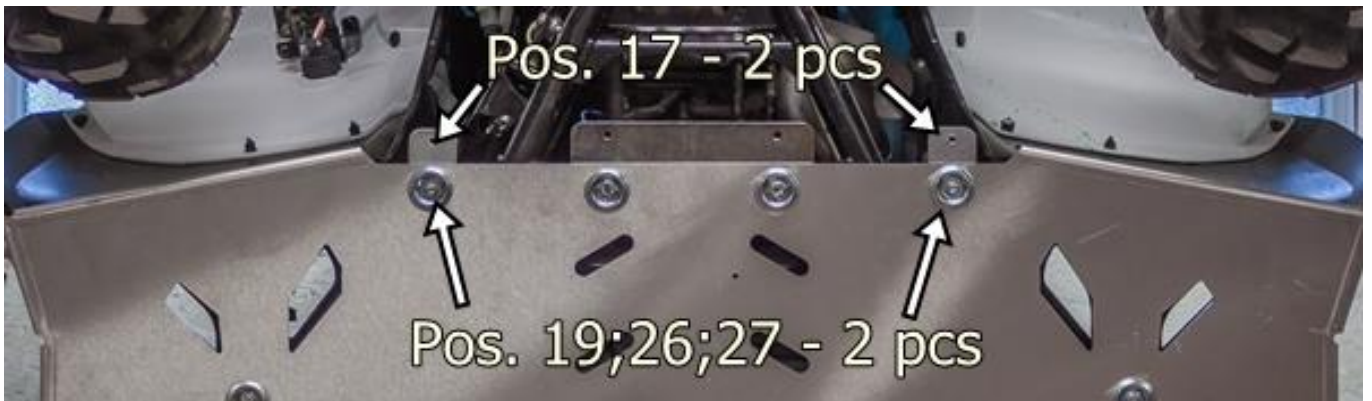
Step 3 Install middle part 02.14301.



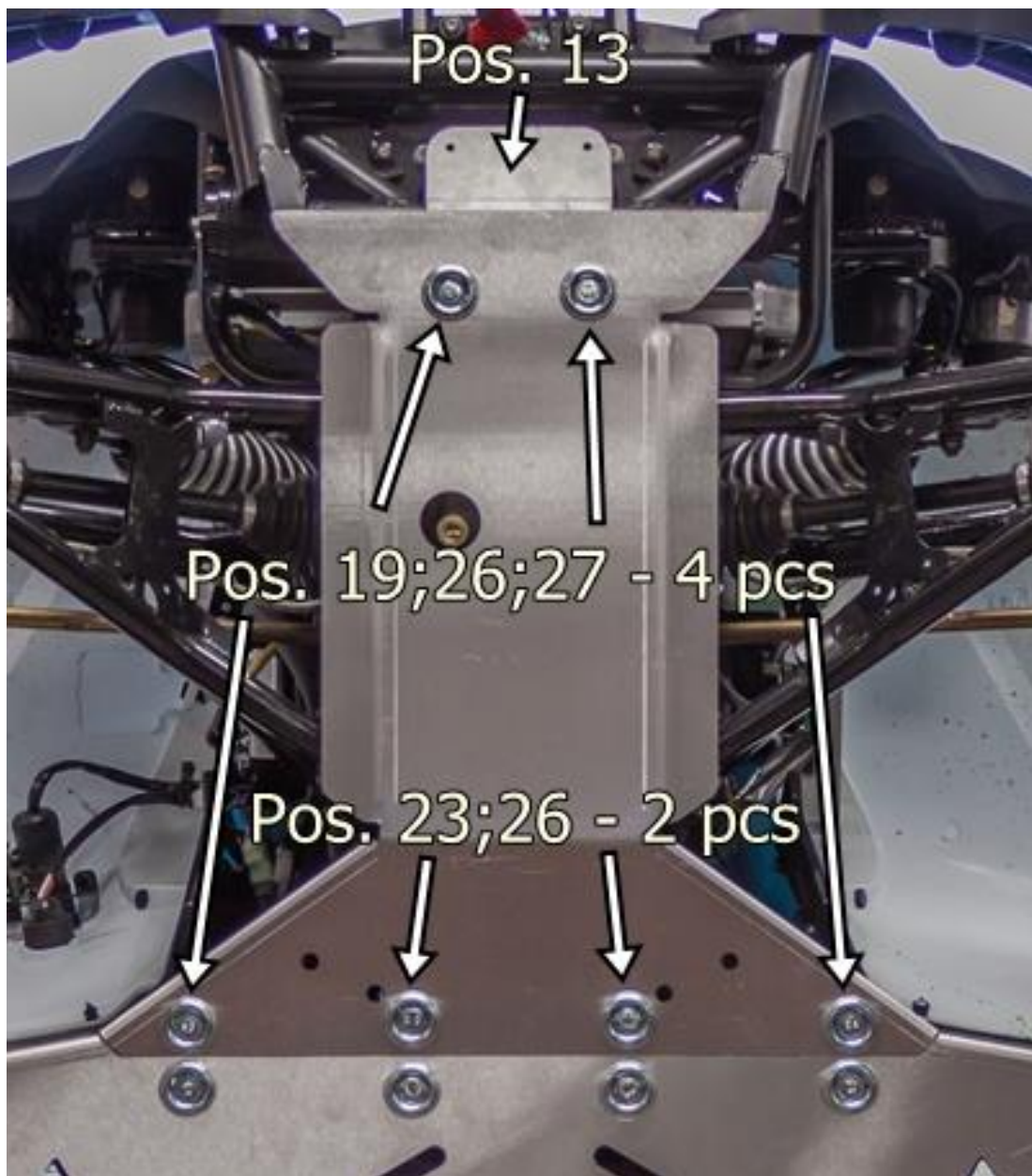
Step 4 Install rear part 02.14302.



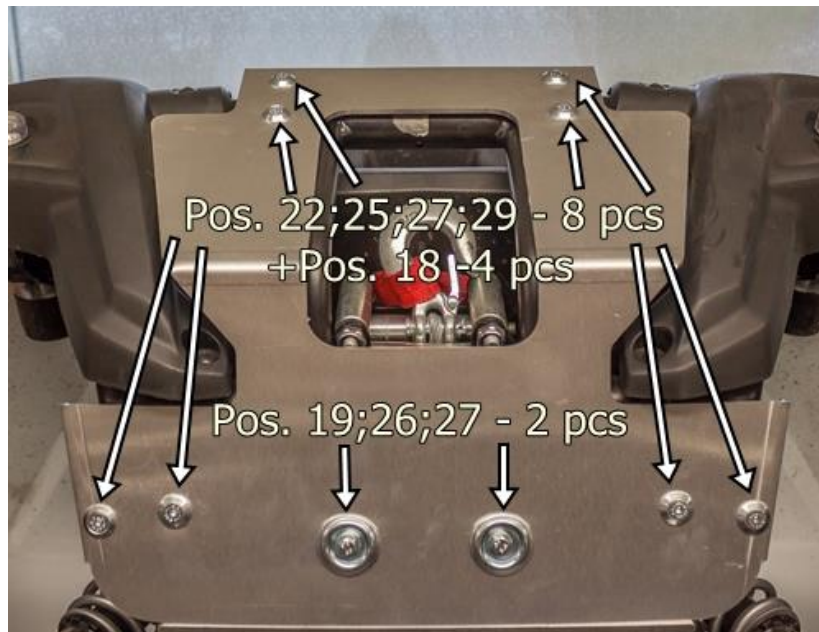
Step 5 Install plates 02.5006 to middle part.



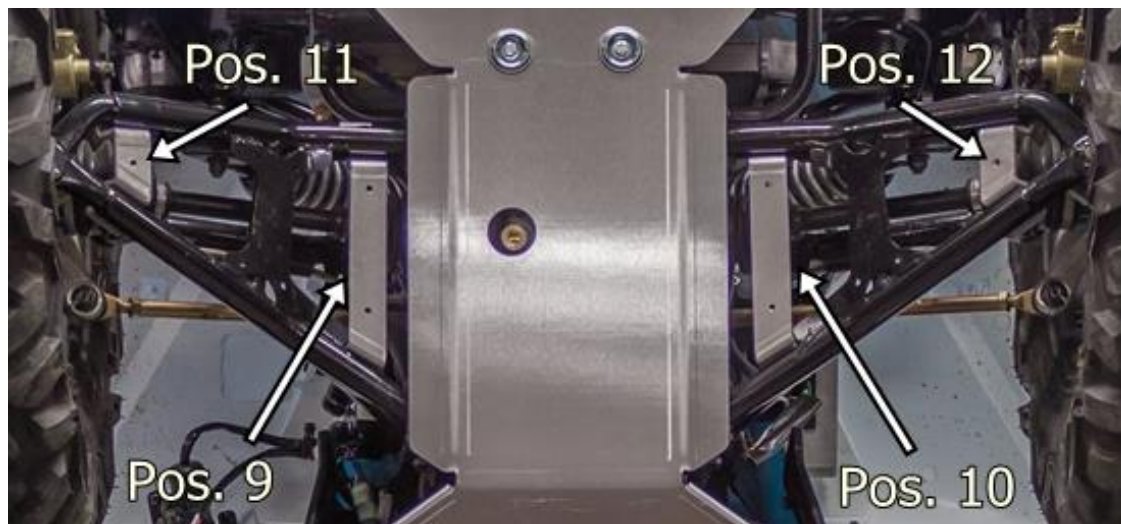
Step 6 Install front part 02.14309 and install plate 02.14305 to front part.



Step 7 Install front part 02.14310.



Step 8 Prepare brackets 02.14306-P, 02.14306-V, 02.14307-P, 02.14307-V.



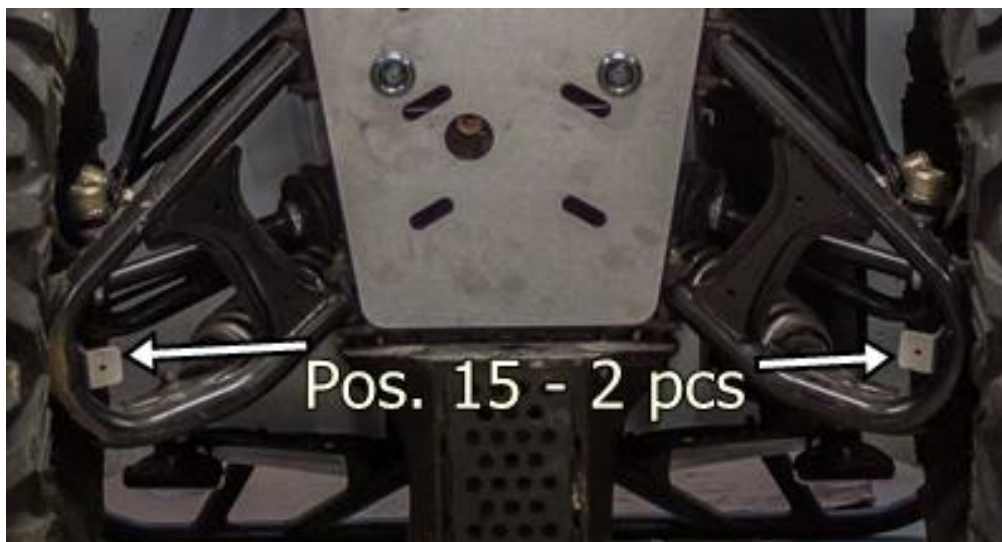
Step 9

Install front arm protections 02-14303-P and 02-14303-V. Adjust position of brackets to match the parts.



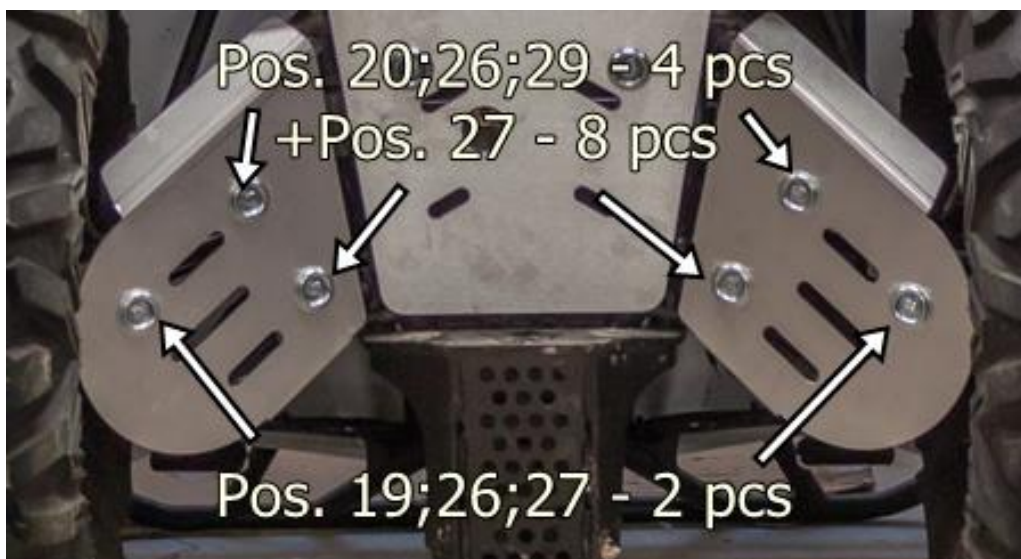
Step 10

Prepare bracket 02.5709.



Step 11

Install rear arm protections 02.14304-P and 02.14304-V. Adjust position of bracket to match the parts.



IRON BALTIC

IRON BALTIC OÜ
Joa tee 17
Vääna 76903
Estonia / Europe

+372 6 533 711
sales@ironbaltic.com

www.ironbaltic.com
www.facebook.com/ironbaltic
www.youtube.com/user/ironbalticLtd

