



[code.ironbaltic.com/u/t3L7s3Ui](https://code.ironbaltic.com/u/t3L7s3Ui)

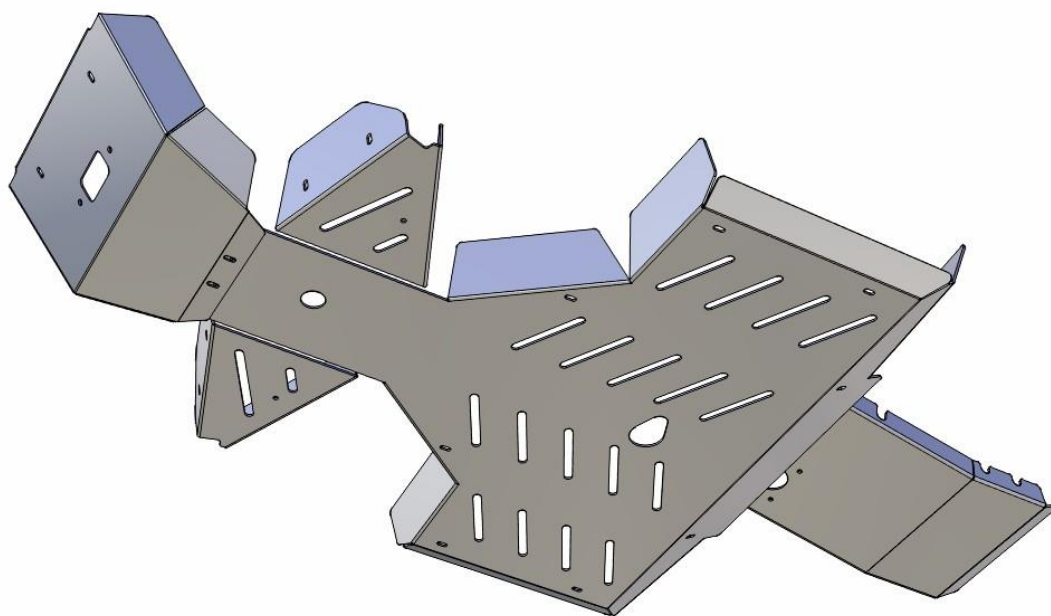
## SKID PLATE

# KYMCO

# MXU 500

Code 02.1180

Version 25082023

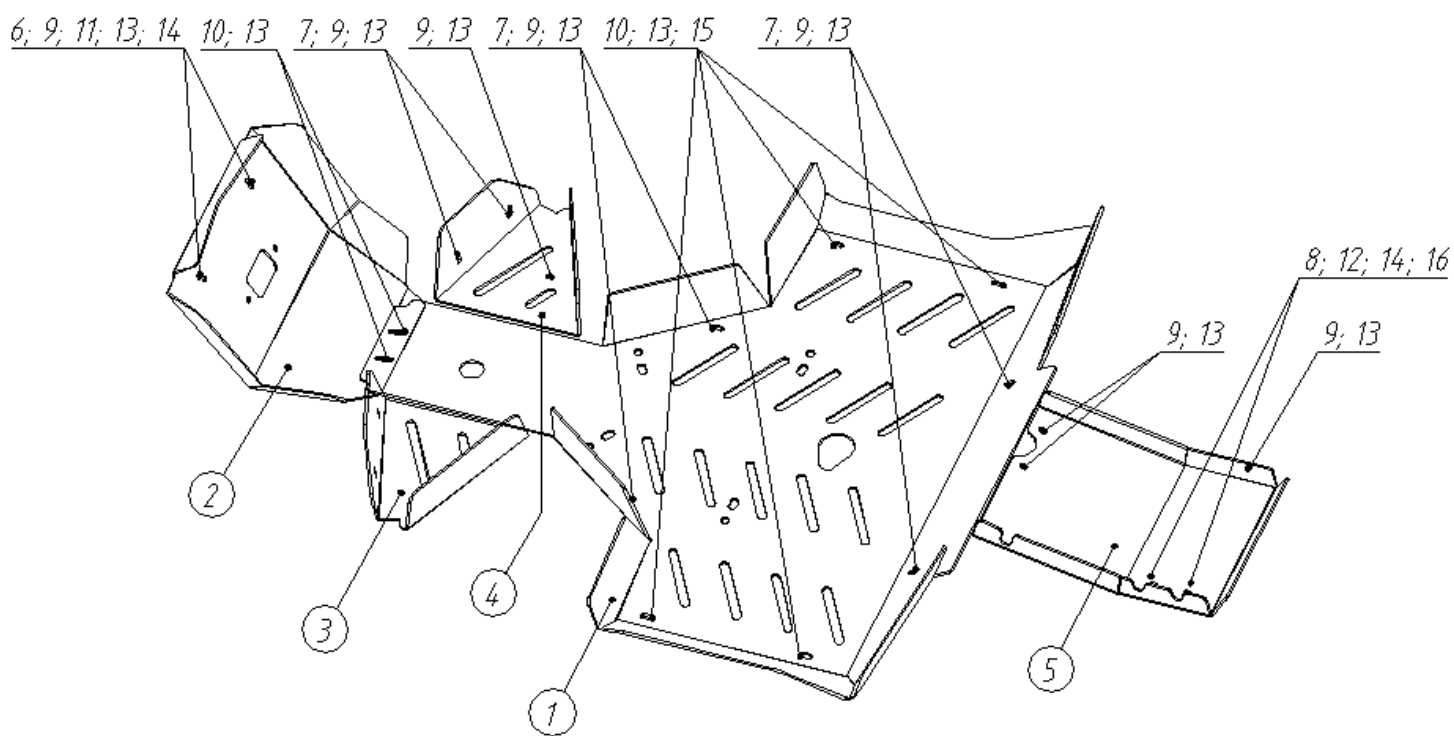


**Keep this manual for future reference!**

If you need any spare parts, please send this packaging data to your local dealer or to Iron Baltic  
[sales@ironbaltic.com](mailto:sales@ironbaltic.com)

# SPECIFICATION

Pos.	Description	Code	Amount
1	Skid plate	02.1181	1
2	Front protection	02.1182	1
3	Front left arm protection	02.1183V	1
4	Front right arm protection	02.1183P	1
5	Rear protection	02.1184	1
6	Installation part	02.1185	1
7	Angle bracket	03.1502	8
8	Clamb M8x60mm	OT.05.01.050	1
9	Bolt M6x20 ISO 7380	OT.02.03.030	7
10	Bolt M6x50 ISO 7380	OT.02.03.070	6
11	Bolt M8x20 ISO 7380	OT.02.03.080	10
12	Bolt M8x130 DIN 603	OT.02.05.100	2
13	Washer Ø6/18 DIN 9021	OT.04.02.020	17
14	Washer Ø8/24 DIN 9021	OT.04.02.040	12
15	Nyloc nut M6 DIN 985	OT.03.02.030	4
16	Nyloc nut M8 DIN 985	OT.03.02.040	2



# IRON BALTIC

IRON BALTIC OÜ  
Joa tee 17  
Vääna 76903  
Estonia / Europe

+372 6 533 711  
[sales@ironbaltic.com](mailto:sales@ironbaltic.com)

[www.ironbaltic.com](http://www.ironbaltic.com)  
[www.facebook.com/ironbaltic](https://www.facebook.com/ironbaltic)  
[www.youtube.com/user/ironbalticLtd](https://www.youtube.com/user/ironbalticLtd)

