



code.ironbaltic.com/u/LvNDI5bM

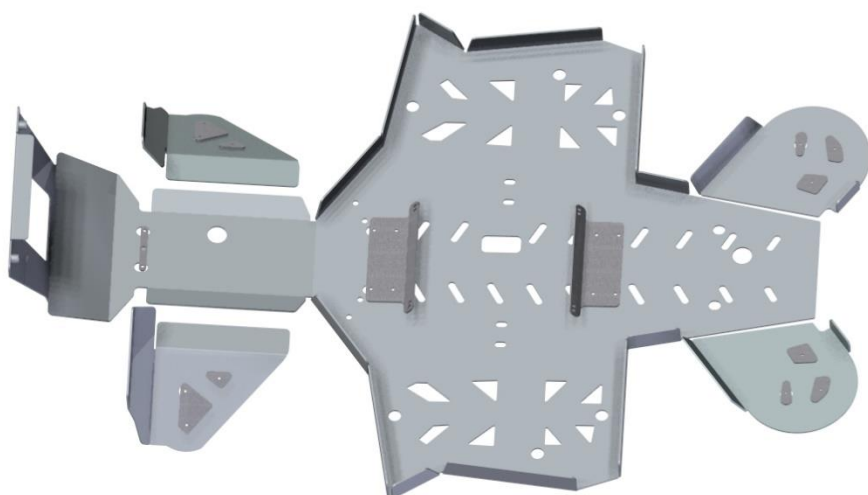
ALUMINIUM SKID PLATE

ACCESS

700

Code 02.11400

Version 24082023

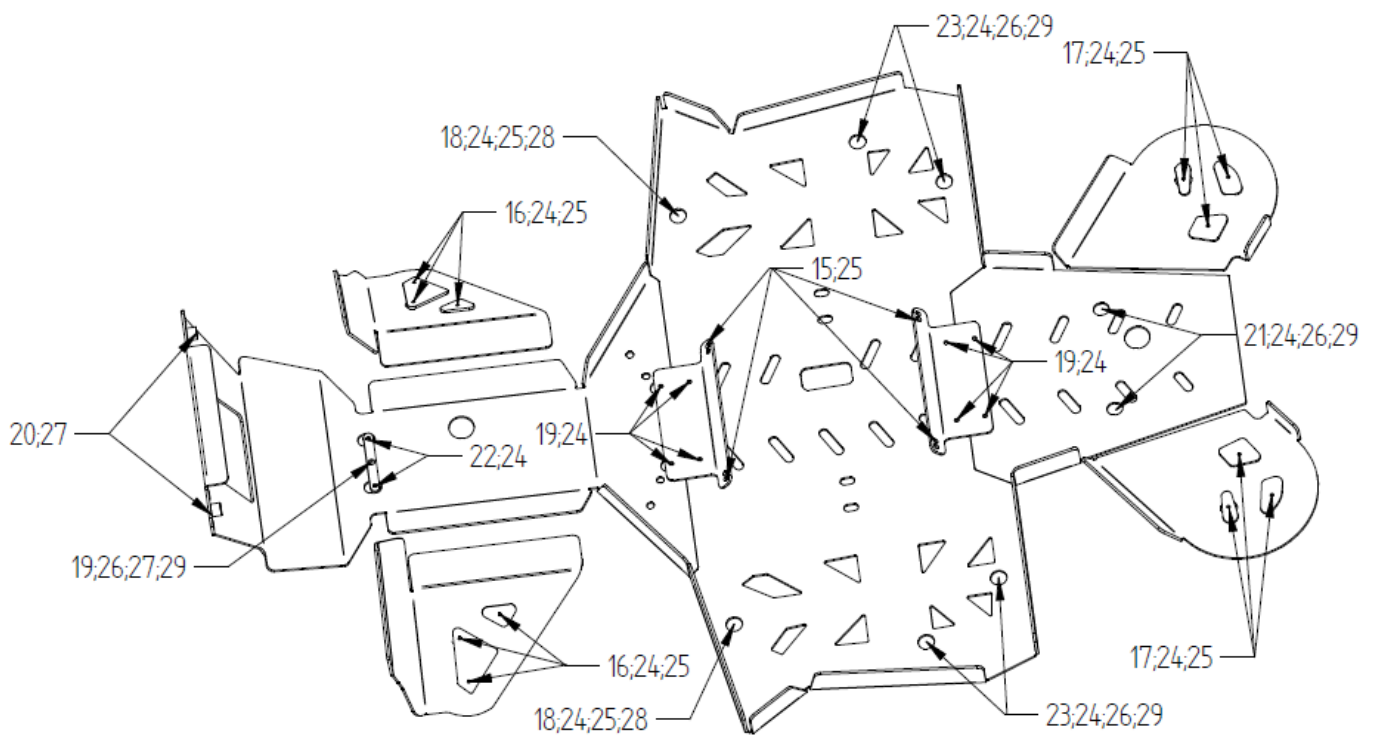
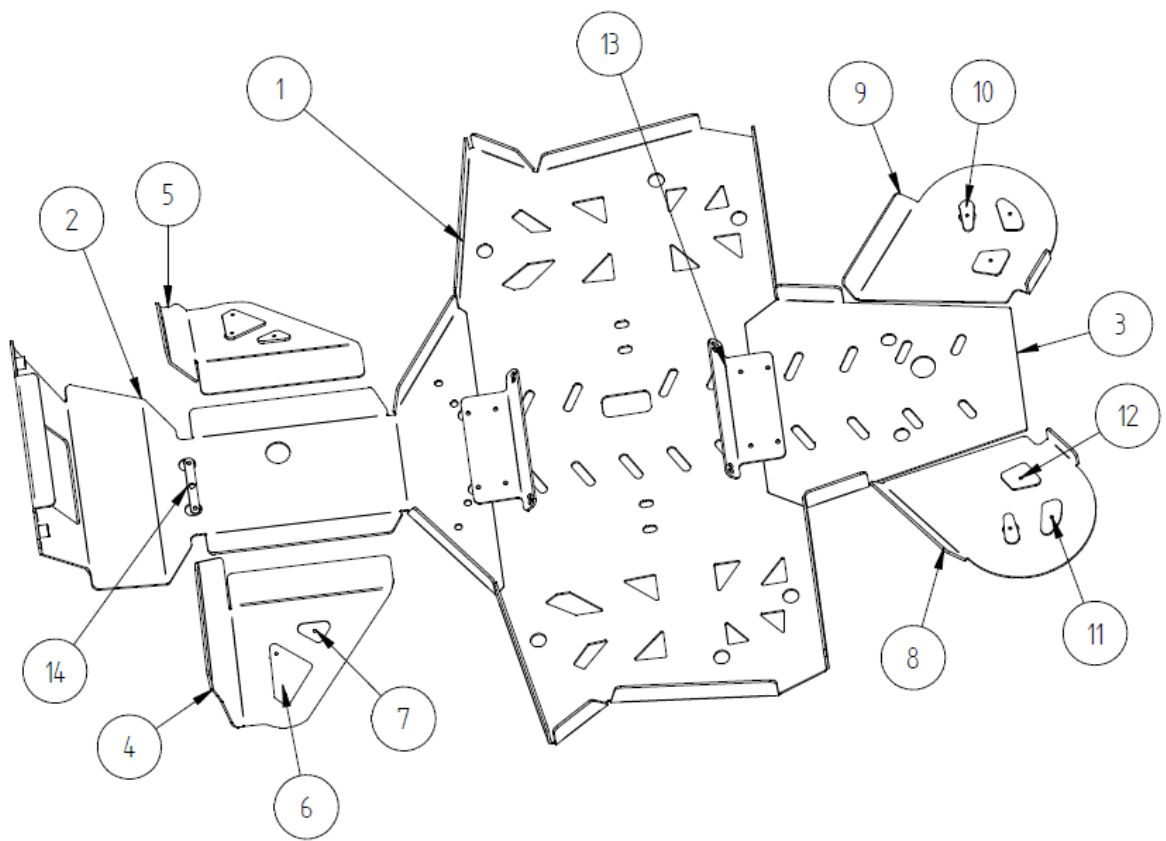


Keep this manual for future reference!

If you need any spare parts, please send this packaging data to your local dealer or to Iron Baltic
sales@ironbaltic.com

SPECIFICATION

Pos.	Description	Code	Amount
1	Middle part	02.11404	1
2	Front part	02.11406K	1
3	Rear part	02.11405	1
4	Front left arm protection	02.11403-V	1
5	Front right arm protection	02.11403-P	1
6	Front arm protection instalation plate -1	02.11403-1	2
7	Front arm protection instalation plate -2	02.11403-2	2
8	Rear left arm protection	02.11407-V	1
9	Rear right arm protection	02.11407-P	1
10	Rear arm protection instalation plate -1	02.11407-1	2
11	Rear arm protection instalation plate -2	02.11407-2	2
12	Rear arm protection instalation plate -3	02.11407-3	2
13	Intallation plate	02.11401	2
14	Intallation plate	02.11402	1
15	Bolt M6x12 DIN 933	OT.02.02.030	4
16	Bolt M6x30 DIN 933	OT.02.02.080	6
17	Bolt M6x35 DIN 933	OT.02.02.090	6
18	Bolt M6x60 DIN 933	OT.02.02.140	2
19	Bolt M8x12 DIN 933	OT.02.02.168	9
20	Bolt M8x30 DIN 933	OT.02.02.200	2
21	Bolt M8x35 DIN 933	OT.02.02.210	2
22	Bolt M8x40 DIN 933	OT.02.02.220	2
23	Bolt M8x60 DIN 933	OT.02.02.250	4
24	Dished washer	14.503	30
25	Washer Ø6/15 SFS 3738	OT.04.03.020	20
26	Washer Ø8/20 SFS 3738	OT.04.03.030	7
27	Washer Ø8/24 DIN 9021	OT.04.02.040	3
28	Nyloc nut M6 DIN 985	OT.03.02.030	2
29	Nyloc nut M8 DIN 985	OT.03.02.040	7



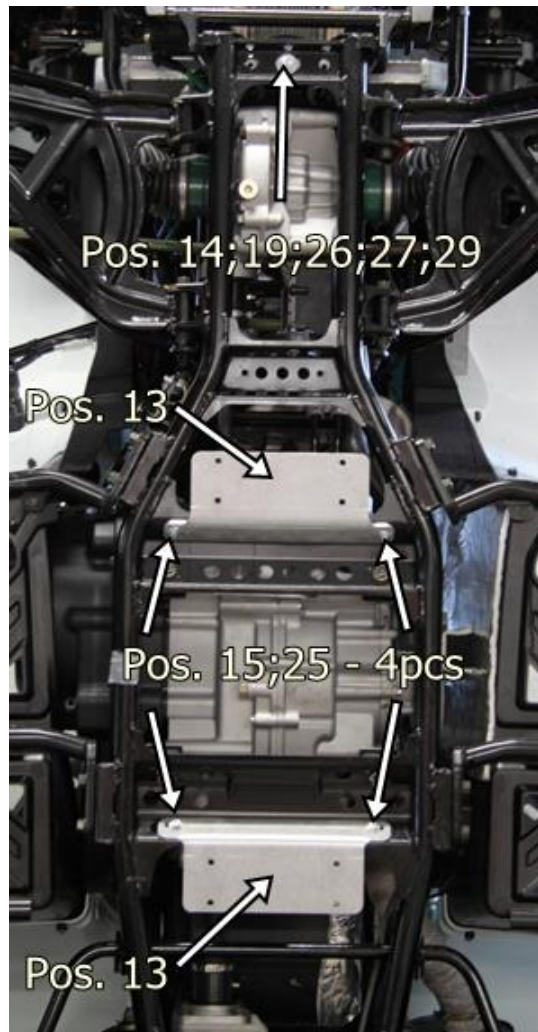
FITTING INSTRUCTIONS

Step 1 Remove all standard covers and 8 bolts.



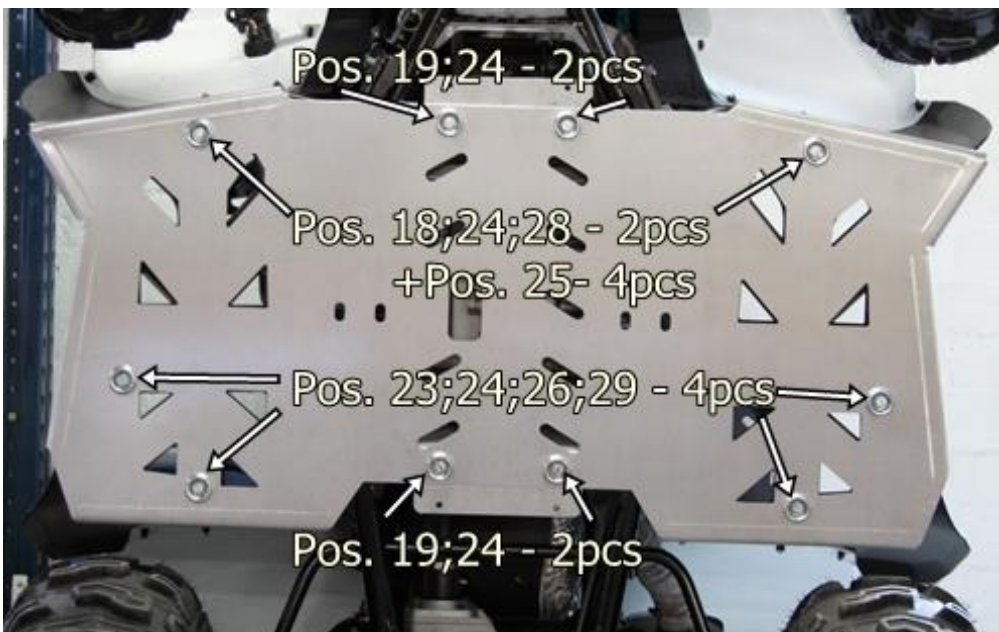
Step 2

Install installation plates 02.11401 and 02.11402. 02.11402 goes behind the frame.

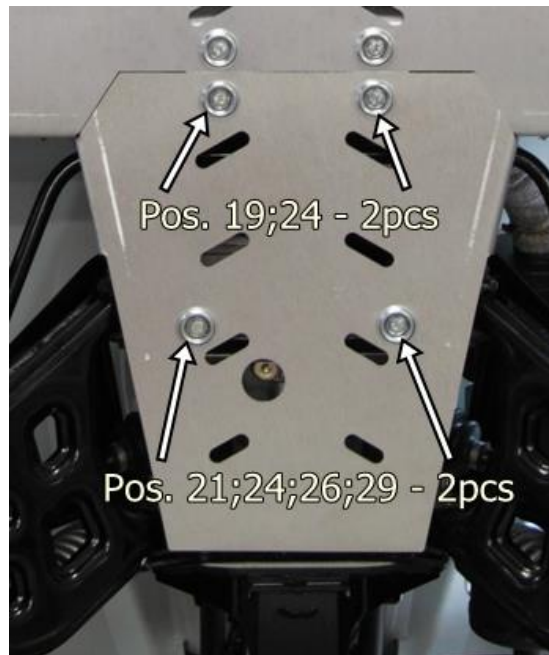


Step 3

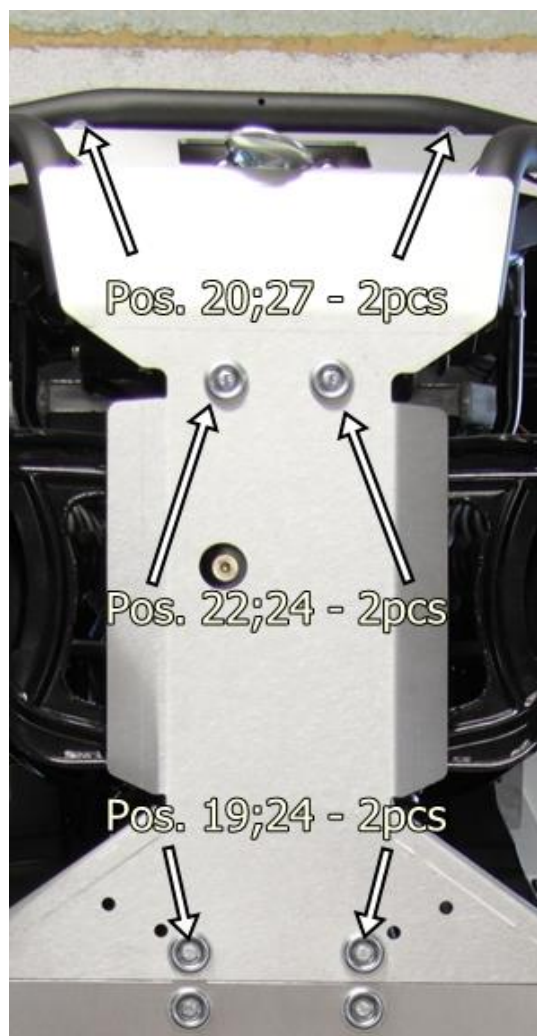
Install middle part 02.11404.



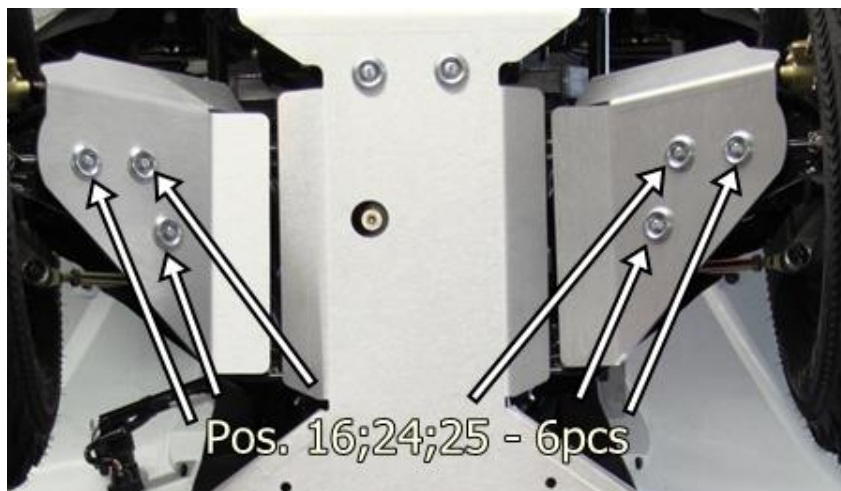
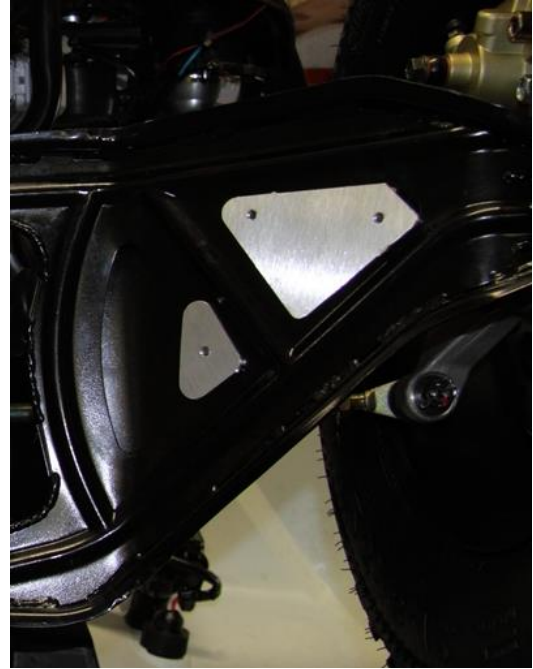
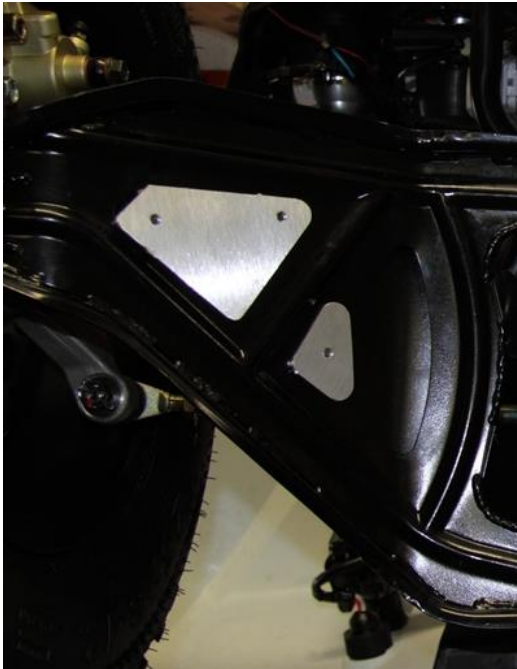
Step 4 Install rear part 02.11405.



Step 5 Install front part 02.11406K.

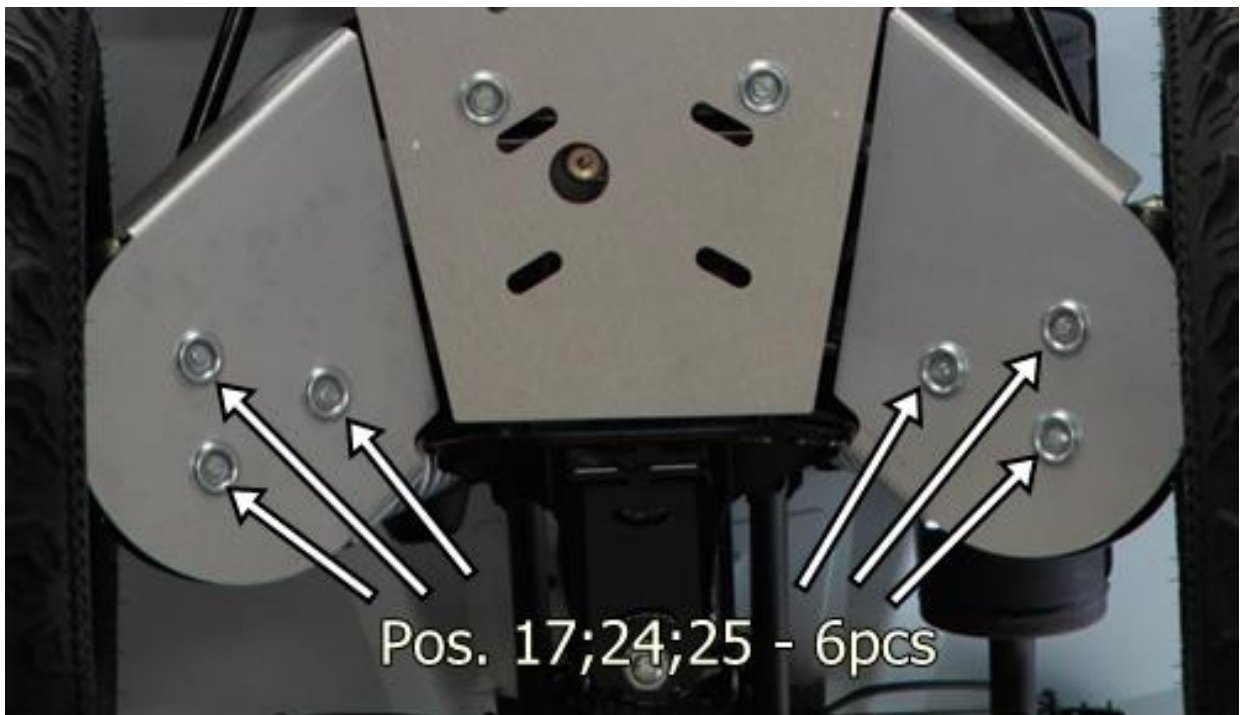


Step 6 Install front arms protections 02.11403-P and 02.11403-V. To do that, put plates 02.11403-1 and 02.11403-2 as it shown on the picture, but **behind** the frame and connect them with arm protections using bolts.



Step 7

Install rear arms protections 02.11407-P and 02.11407-V. To do that, put plates 02.11407-1, 02.11407-2 and 02.11407-as it shown on the picture, but **behind** the frame and connect them with arm protections using bolts.



IRON BALTIC

IRON BALTIC OÜ
Joa tee 17
Vääna 76903
Estonia / Europe

+372 6 533 711
sales@ironbaltic.com

www.ironbaltic.com
www.facebook.com/ironbaltic
www.youtube.com/user/ironbalticLtd

