

IRON BALTIC

ALUMINIUM SKID PLATE

KEEWAY

Leone Mastiff XY500

Code 02.10300

Version 22082023

DOWNLOAD MULTILINGUAL
USER MANUAL



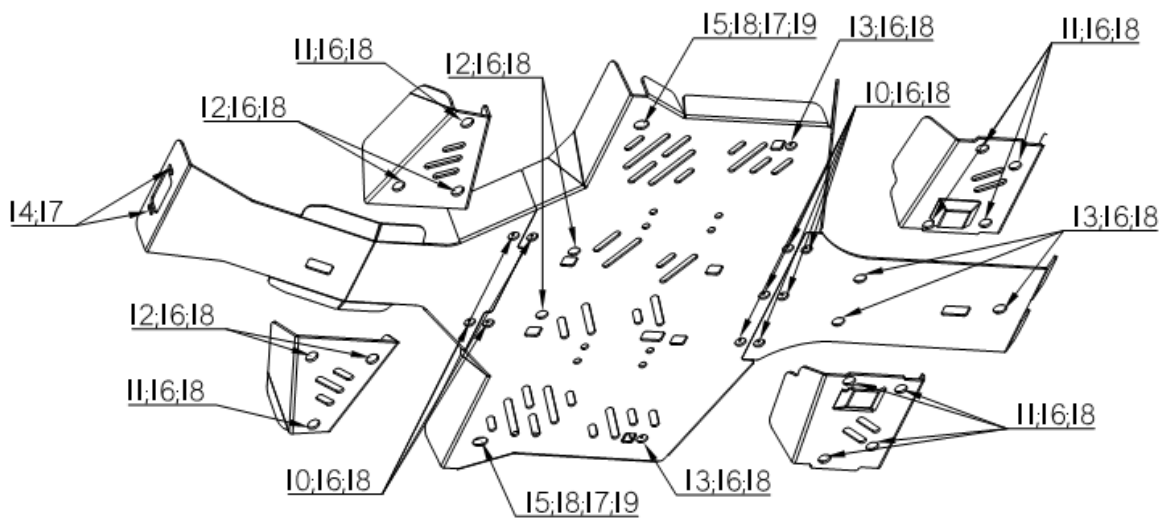
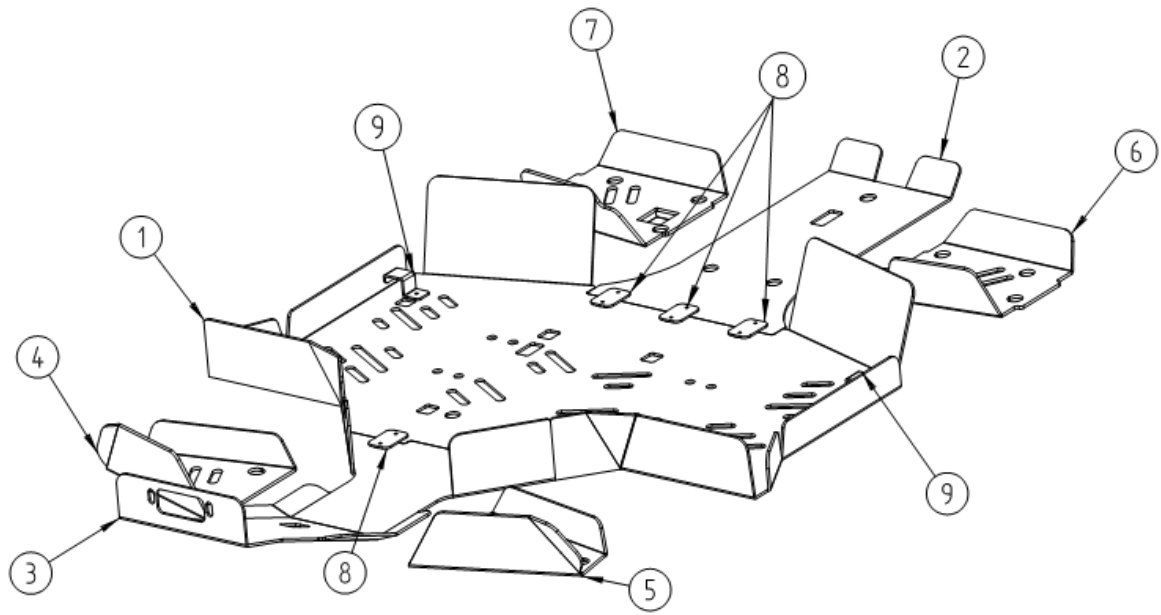
code.ironbaltic.com/u/dejFqzsW

Keep this manual for future reference!

If you need any spare parts, please send this packaging data to your local dealer or to Iron Baltic
sales@ironbaltic.com

SPECIFICATION

Pos.	Description	Code	Amount
1	Middle part	02.10301K	1
2	Rear part	02.10302	1
3	Front part	02.10303	1
4	Front right arm protection	02.10304	1
5	Front left arm protection	02.10305	1
6	Rear left arm protection	02.10306K	1
7	Rear right arm protection	02.10308K	1
8	Plate	02.5006	5
9	Clamp	02.5709	2
10	Bolt M6x12 DIN 933	OT.02.02.030	10
11	Bolt M6x14 DIN 933	OT.02.02.040	10
12	Bolt M6x20 DIN 933	OT.02.02.060	6
13	Bolt M6x25 DIN 933	OT.02.02.070	5
14	Bolt M8x25 DIN 933	OT.02.02.190	2
15	Bolt M8x65 DIN 933	OT.02.02.255	2
16	Washer 6/15 SFS 3738	OT.04.03.020	31
17	Washer 8/20 SFS 3738	OT.04.03.030	4
18	Dished washer	14.503	33
19	Nyloc nut M8 DIN 985	OT.03.02.040	2



FITTING INSTRUCTIONS

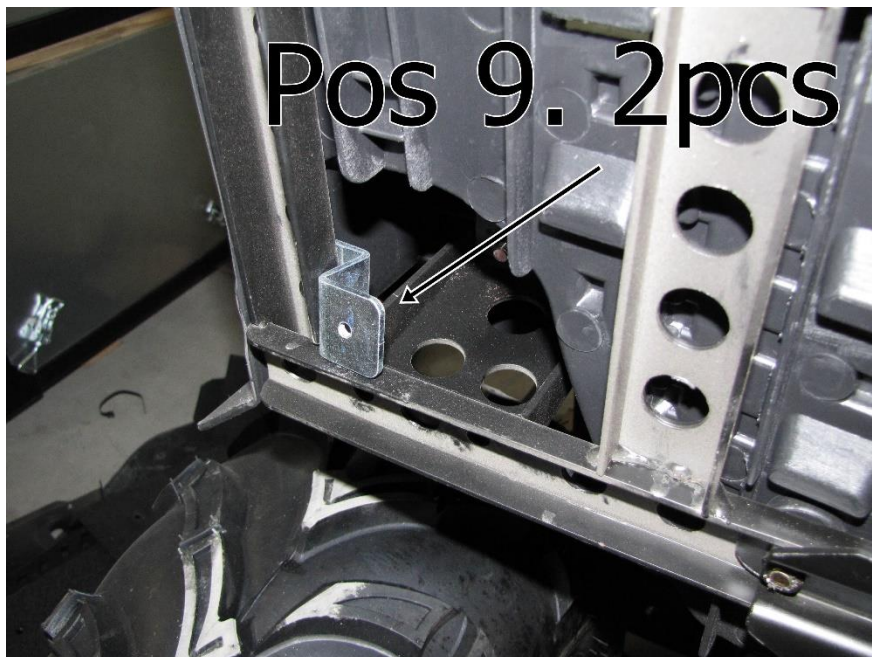
Step 1

Remove all standard plastic covers, bolts and winch fairlead.

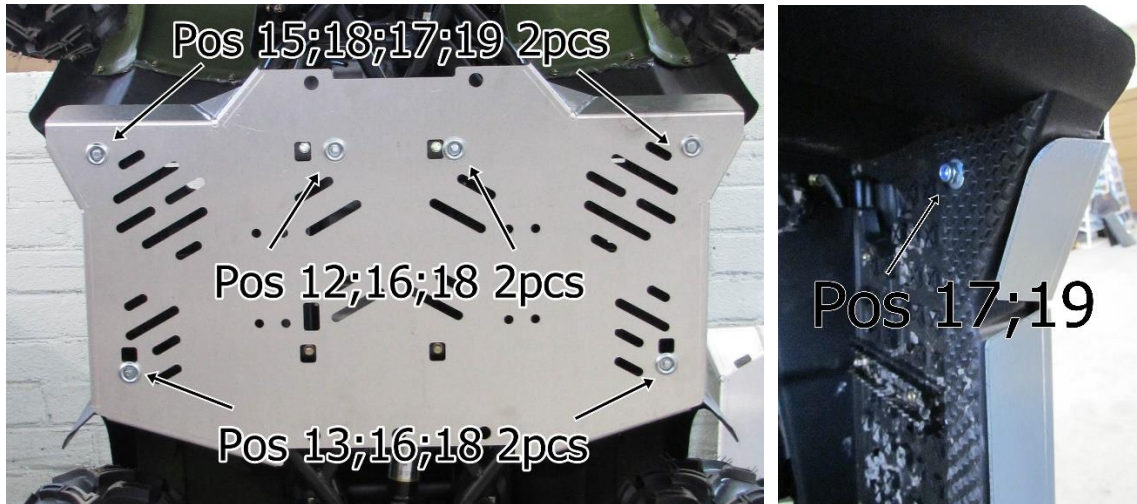


Step 2

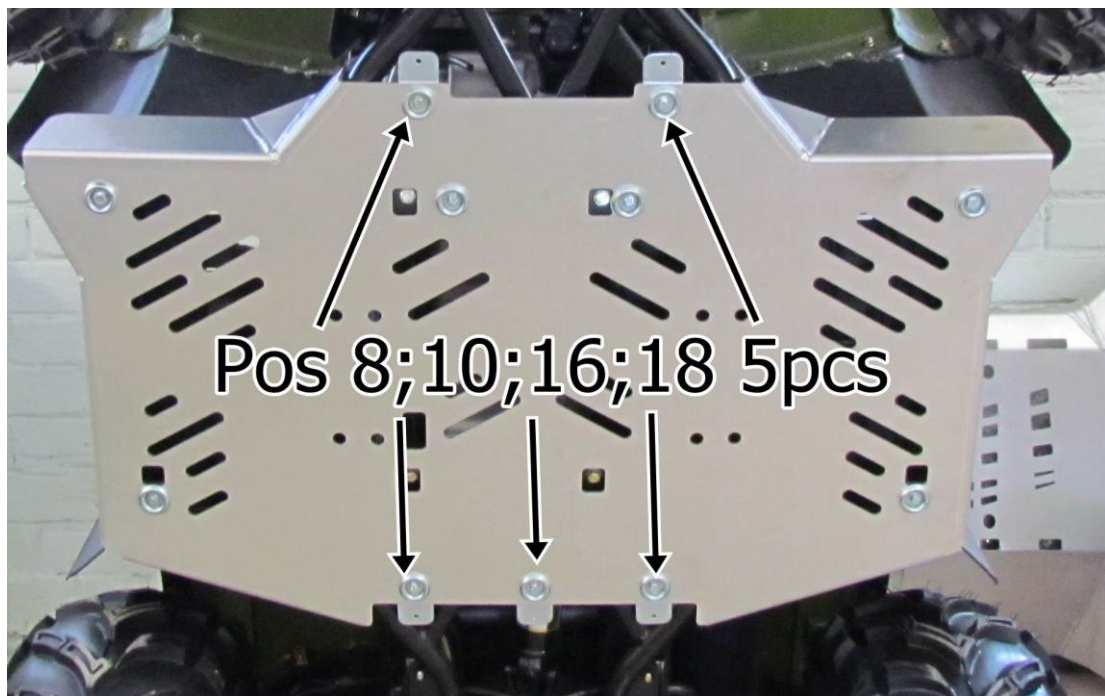
Install clamp 02.5709.



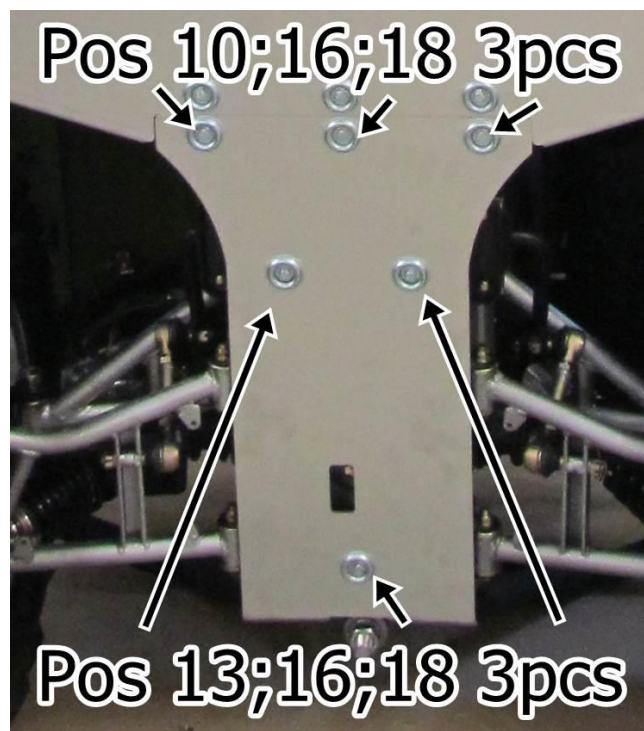
Step 3 Install middle part 02.10301K.



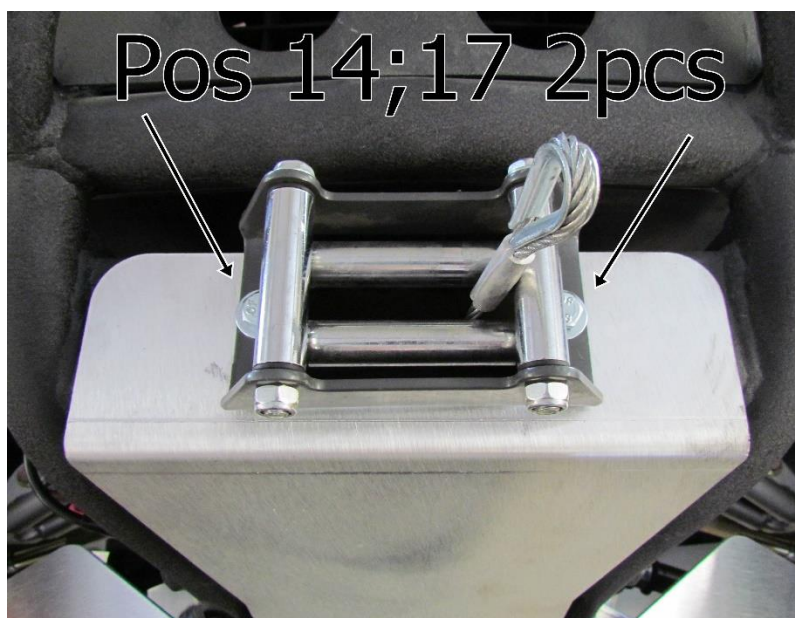
Step 4 Install plates 02.5006.



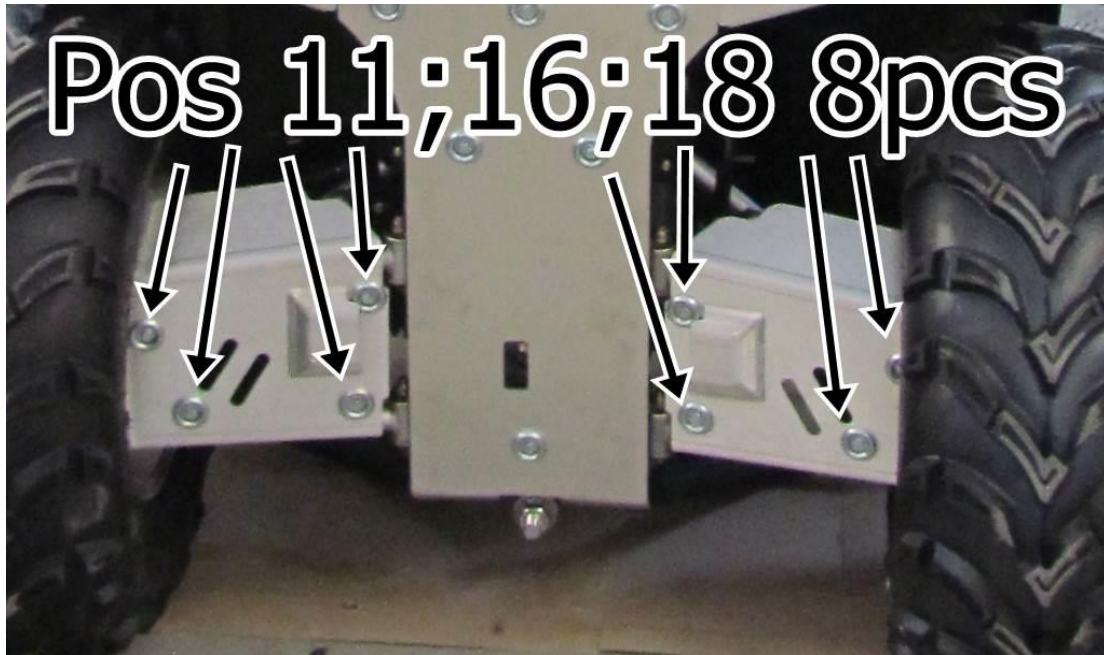
Step 5 Install rear part 02.10302.



Step 6 Install front part 02.10303 ja winch fairlead.



Step 7 Install rear arms protections 02.10306K and 02.10308K.



Step 8 Install front arms protections 02.10304 and 02.10305.



IRON BALTIC

IRON BALTIC OÜ
Joa tee 17
Vääna 76903
Estonia / Europe

+372 6 533 711
sales@ironbaltic.com

www.ironbaltic.com
www.facebook.com/ironbaltic
www.youtube.com/user/ironbalticLtd