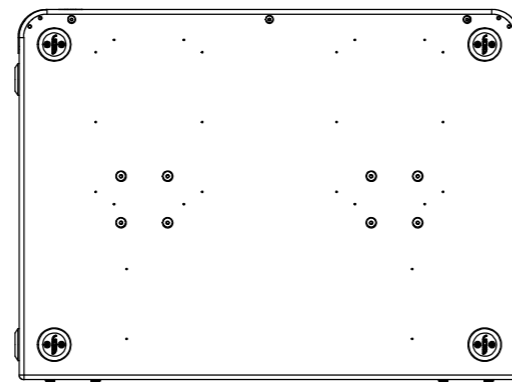
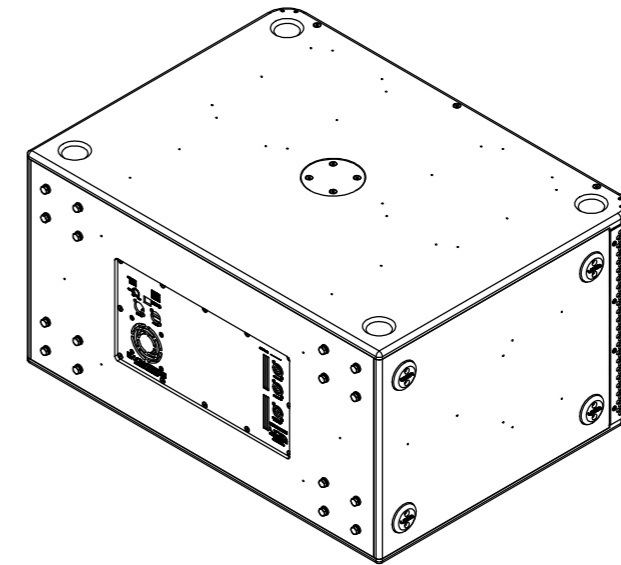
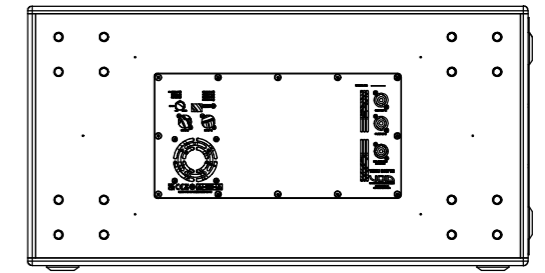
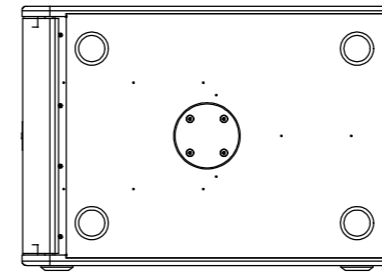
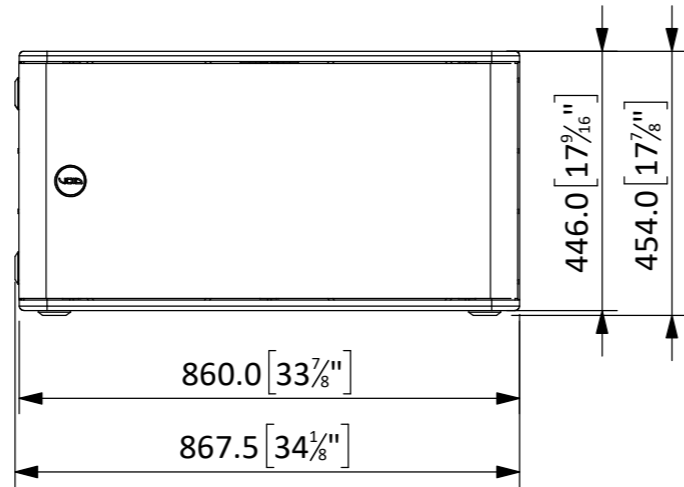
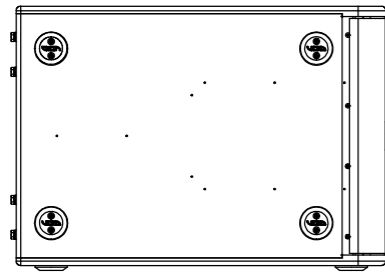
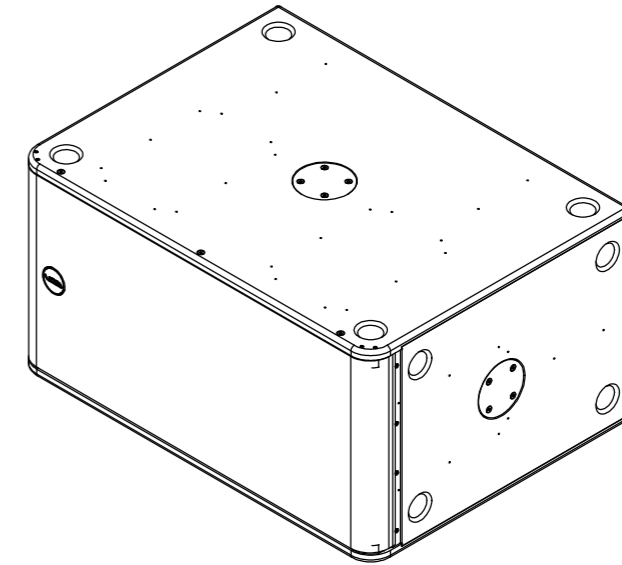
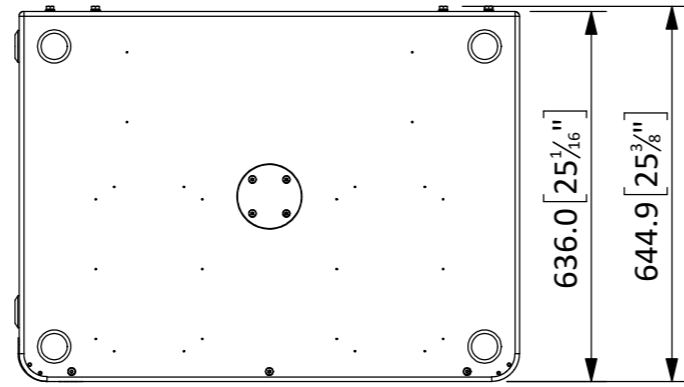


IF IN DOUBT ASK

REV	ECN No	CHANGE DESCRIPTION	DRAWN BY	CHECKED BY	APPROVED BY	APPROVED ON
1	n/a	Added to PDM 08/04/2024	JB	-	-	-
2	C30014	hole changes to panel CA10566-204	MKJ	MKJ	Admin	10/04/2024



TITLE: Full SP Assembly		DRAWING No.: SP10565-001		SCALE: 1:13		THIRD ANGLE PROJECTION TO BS 8888		UNITS LINEAR - mm ANGLUAR - degrees		WEIGHT - kg TEMP - C°	
PROJECT: Venu 215i V2		EST. WEIGHT (kg): 74.49		SAP No.: IT3940		SHT 1 OF 1 SHTS		FABRICATION UNLESS OTHERWISE STATED		MACHINING UNLESS OTHERWISE STATED	
MATERIAL: Various		COLOUR: RAL9005 (BLACK)		TEXTURE/FINISH: N/A		SHEET: A3		UP TO 300mm ±0.2 300mm-500mm ±0.5 500mm - 1m ±1.0 1m - 5m ±2.0 ANGULAR ±1		0mm ±0.5 0.0mm ±0.2 0.00mm ±0.1 0.000mm ±0.01 ANGULAR ±0.5 BREAK EDGE 0.05 - 0.15 FILLET RADS 0.1 - 0.3	
FINISH: PAINT (WARNEX)								SURFACE TEXTURE VALUES IN MICROMETRES (µm) TO BS1134 PT2. ALL MACHINED SURFACES TO BE:		ALL SCREW THREADS TO BS3643 PT.2	

