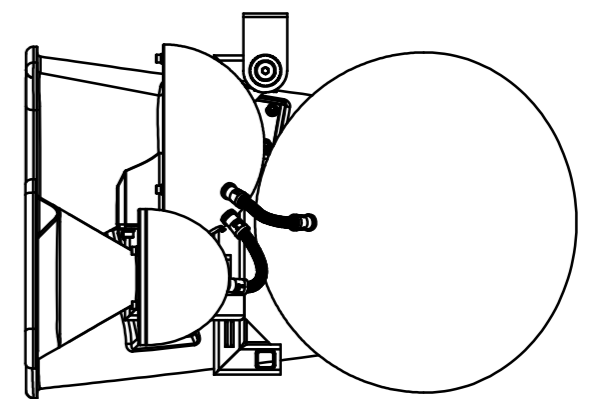
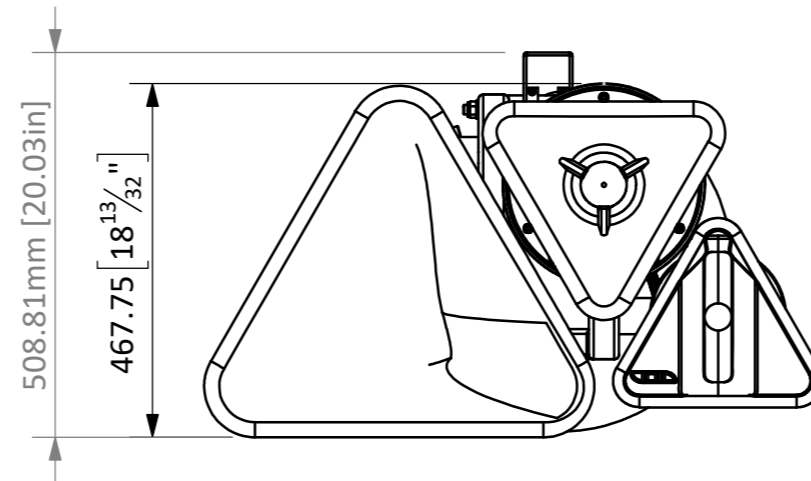
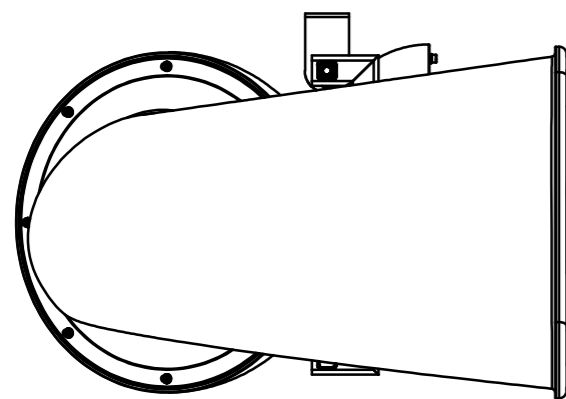
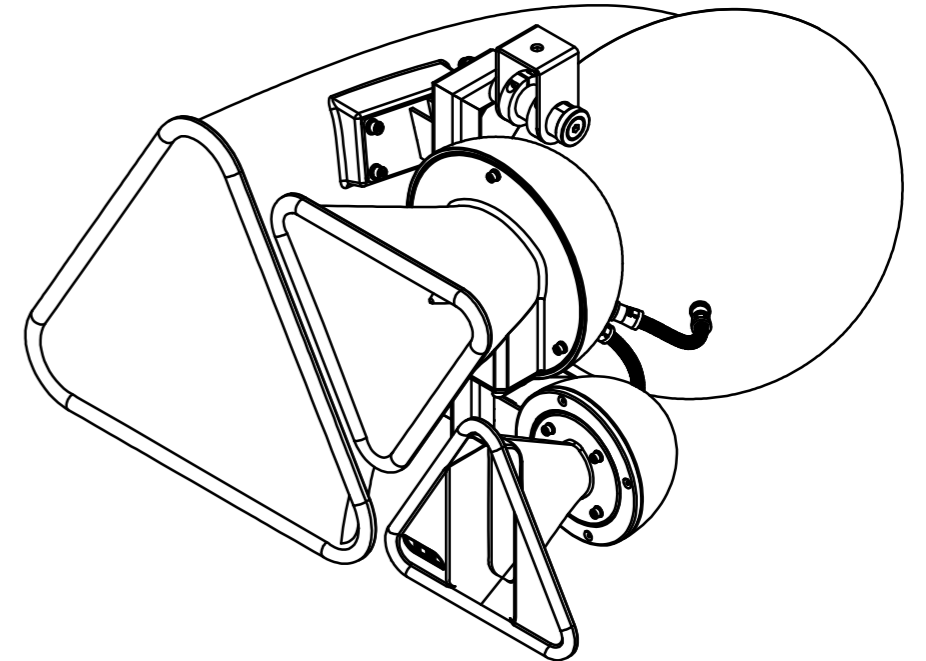
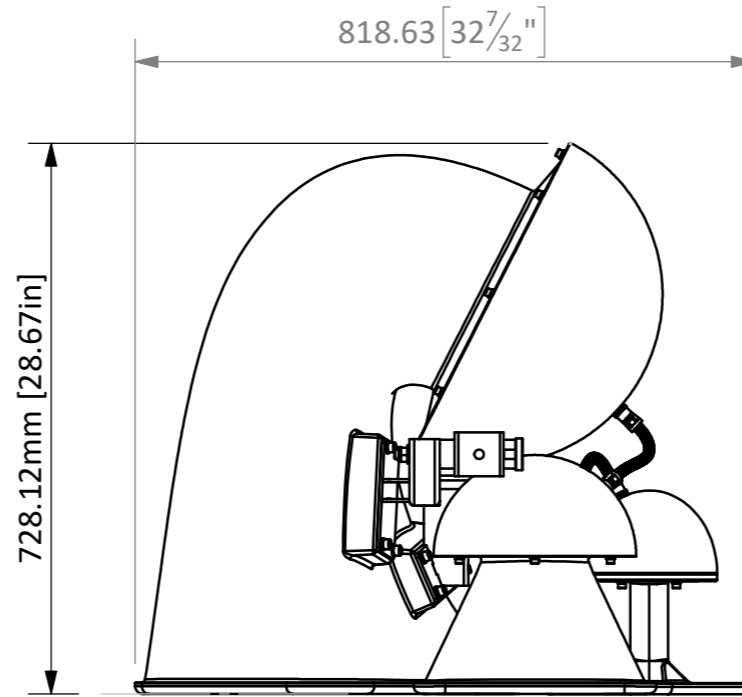
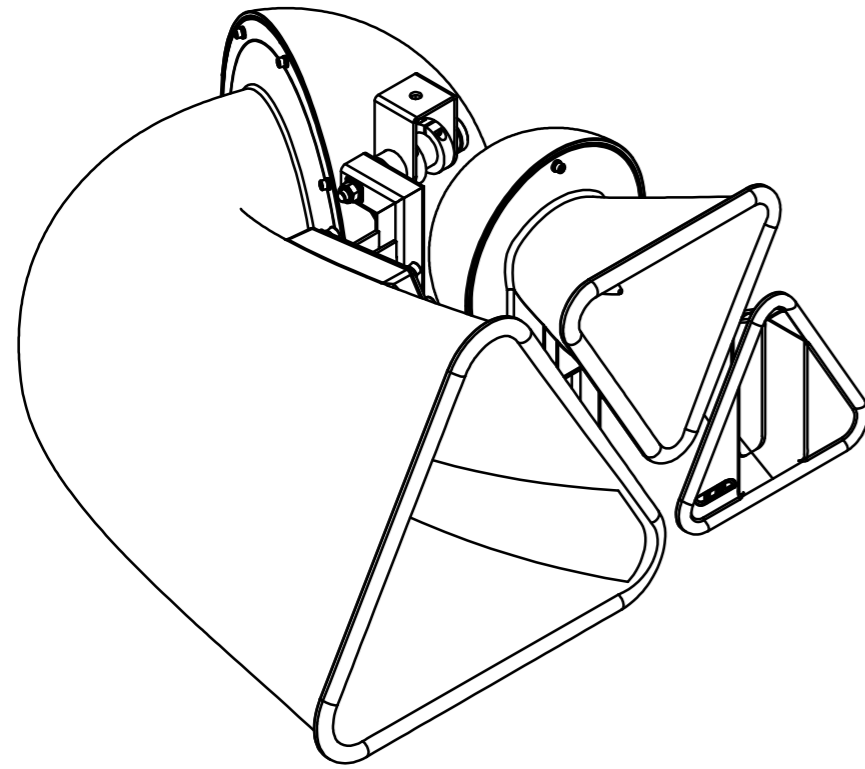


IF IN DOUBT ASK(如有疑问,请提出)

| 版本  | 修改编号   | 修改内容   | 绘图       | 检查         | 批准          | 批准日期        |
|-----|--------|--|----------|------------|-------------|-------------|
| REV | ECN No | CHANGE DESCRIPTION                             | DRAWN BY | CHECKED BY | APPROVED BY | APPROVED ON |
| 4   | C30055 | fit Neutrik dummy PLUG NDL in CN instead of UK | JYY      | WCS        | GB          | 24/09/2024  |



|  |  |                                       |  |   |                             |   |  |  |
|--|--|---------------------------------------|--|---|-----------------------------|---|--|--|
| TITLE:(标题)<br><b>Full SP Assy - Red - RH</b> |  | DRAWING No.(图号)<br><b>SP10656-002</b> |  | SCALE:<br><b>1:10</b>   |                             | UNITS(图纸尺寸单位)<br>除非图注另有说明<br>LINEAR(长度) - mm WEIGHT(重量) - kg<br>ANGULAR(角度) - degrees TEMPERATURE(温度) - °C  |  |  |
| PROJECT:(项目)<br><b>Tri Motion V2</b>         |  | EST. WEIGHT (kg):<br><b>60.54</b>     |  | SHT 1 OF 1 SHTS   |                             | FABRICATION(机械制造)<br>UP TO 300mm ±0.2 0mm ±0.5 BREAK EDGE(倒角)<br>300mm-500mm ±0.5 0.0mm ±0.2 0.05 - 0.15<br>500mm - 1m ±1.0 0.00mm ±0.1 0.00mm ±0.1<br>1m - 5m ±2.0 0.000mm ±0.01 0.1 - 0.3 |  |  |
| MATERIAL:(材质)<br><b>See Parts</b>            |  | COLOUR:(颜色)<br><b>RED</b>             |  | SHEET:<br><b>A3</b>   | MACHINING(机械加工)<br>除非图注另有说明 |   |  |  |
| FINISH:(表面处理)<br><b>Painted</b>              |  | TEXTURE/FINISH:(纹理)<br><b>Smooth</b>  |  | 表面粗糙度单位为微米(µm) 参考BS1134:PT2 1.6<br>所有螺纹参数依据BS3643 PT.2: 所有机加工表面粗糙度为 |                             |   |  |  |