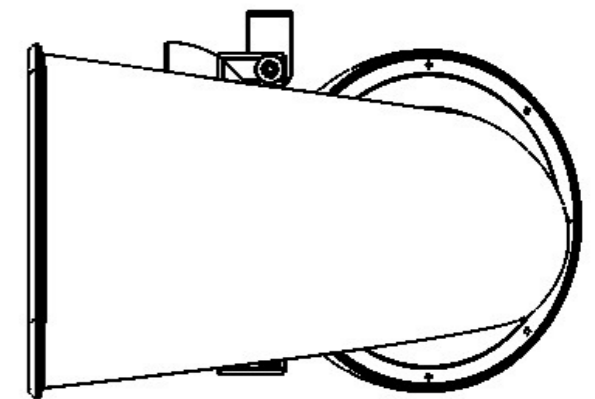
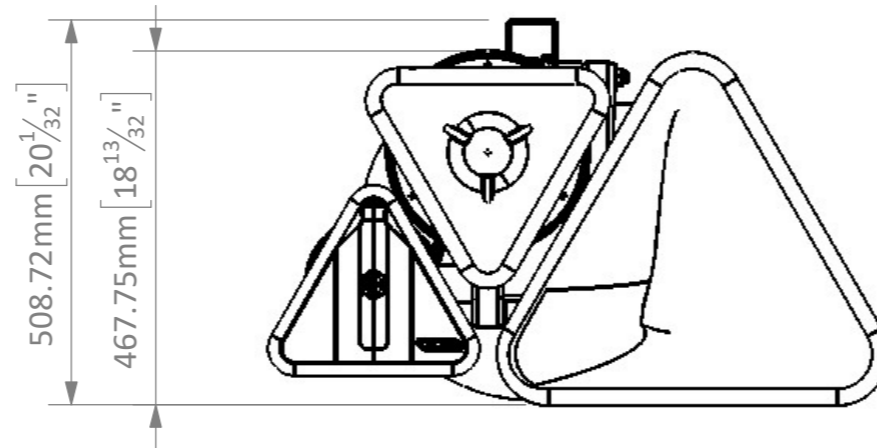
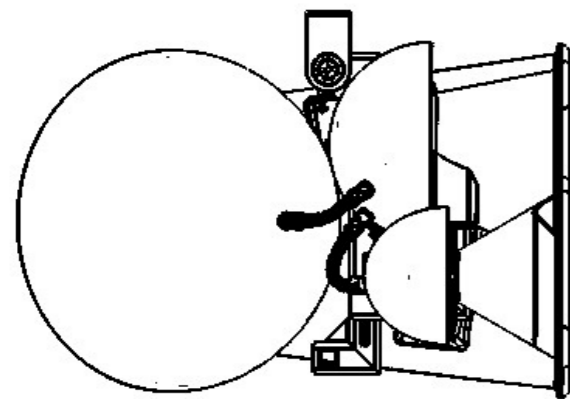
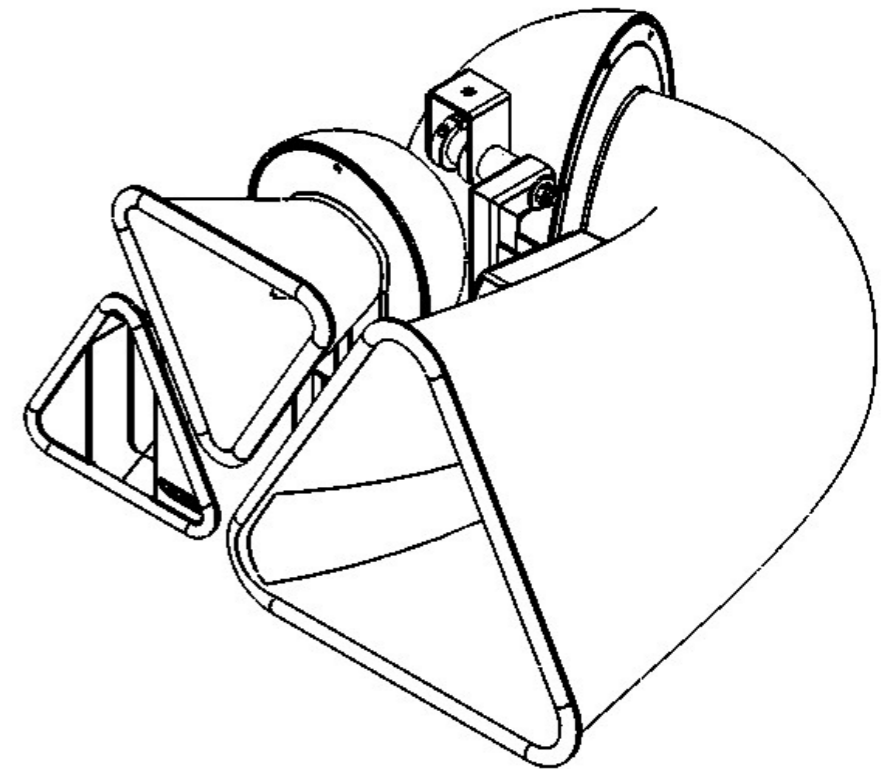
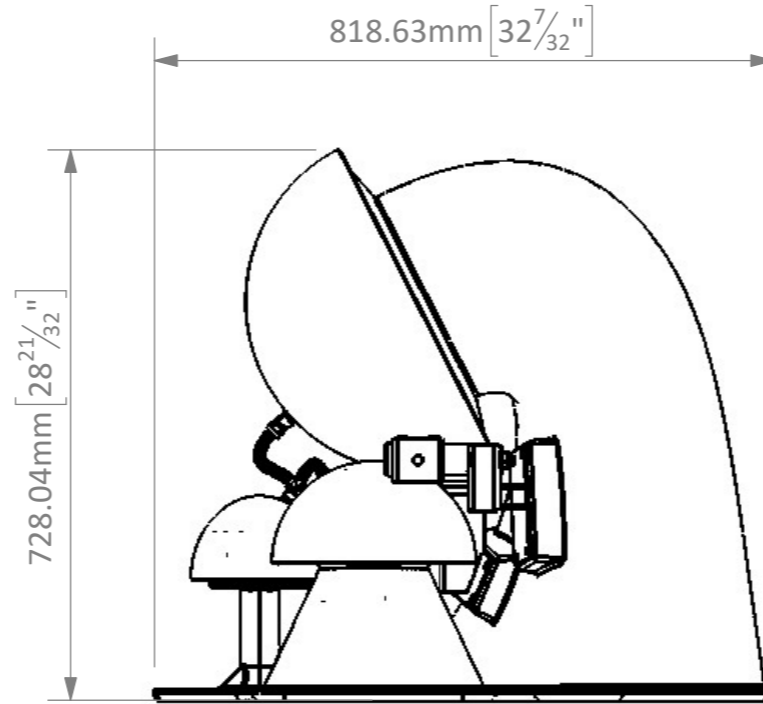
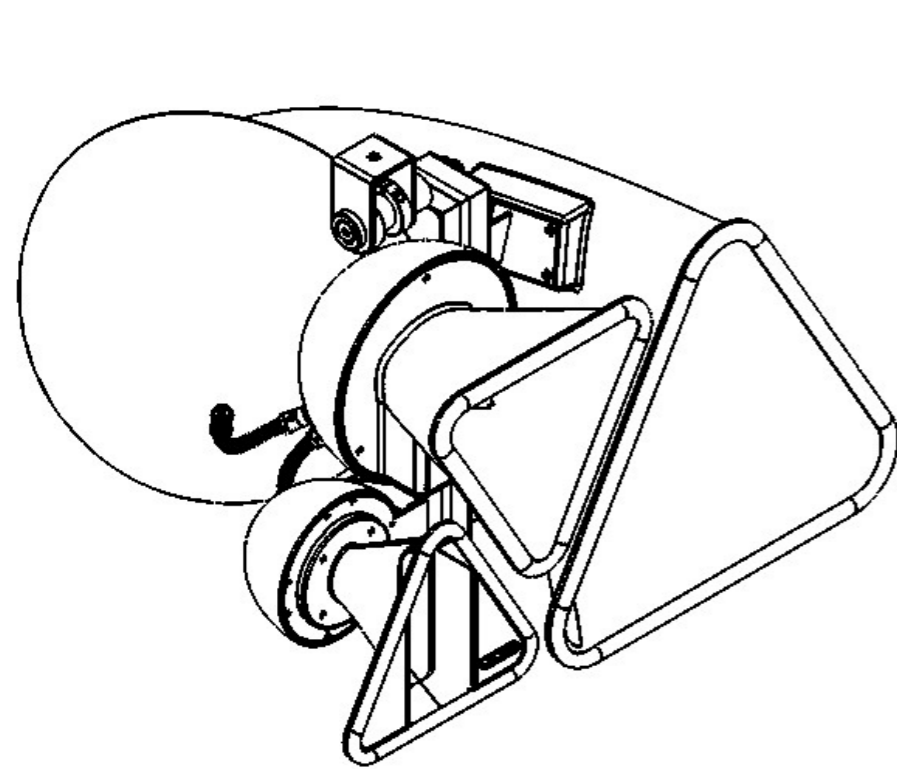


IF IN DOUBT ASK(如有疑问,请提出)

版本	修改编号	修改内容	绘图	检查	批准	批准日期
REV	ECN No	CHANGE DESCRIPTION	DRAWN BY	CHECKED BY	APPROVED BY	APPROVED ON
4	C30055	fit Neutrik dummy PLUG NDL in CN instead of UK	JYY	WCS	GB	24/09/2024



TITLE:(标题) Full SP Assy - Red - LH		DRAWING No.(图号) SP10656-001	SCALE: 1:10	THIRD ANGLE PROJECTION TO BS 8888	UNITS(图纸尺寸单位) 除非图注另有说明		VOID VOIDACOUSTICS.COM
PROJECT:(项目) Tri Motion V2	EST. WEIGHT (kg): 50.78	SAP No. IT4106	SHT 1 OF 1 SHTS		FABRICATION(机械制造) UP TO 300mm ±0.2 300mm-500mm ±0.5 500mm - 1m ±1.0 1m - 5m ±2.0	MACHINING(机械加工) 0.0mm ±0.1 0.000mm ±0.01 ANGULAR(角度) ±0.5°	
MATERIAL:(材质) See Parts	COLOUR:(颜色) RED	TEXTURE/FINISH:(纹理) Smooth	SHEET: A3	表面粗糙度单位为微米(µm) 参考BS1134:PT.2 所有螺纹参数按照BS3643 PT.2: 所有机加工表面粗糙度为			