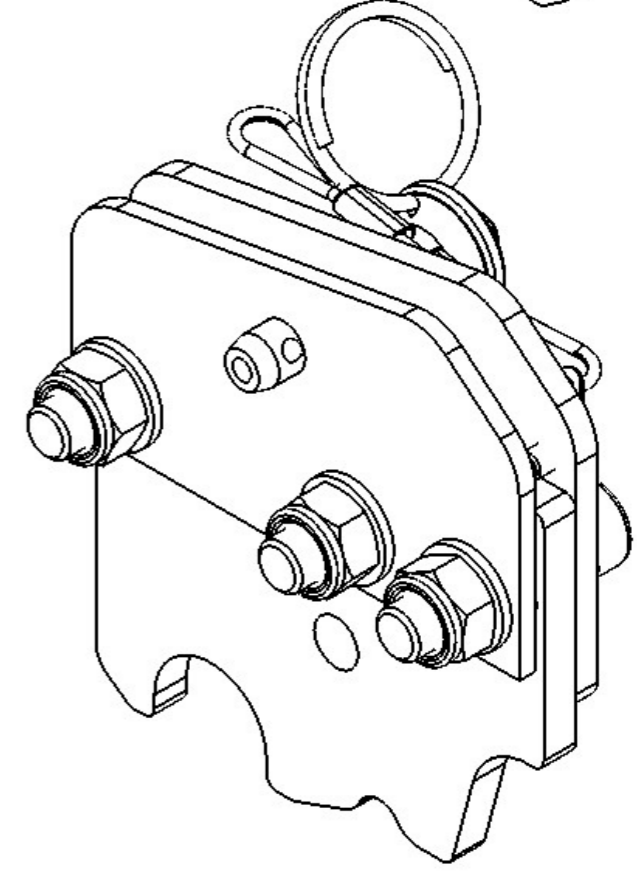
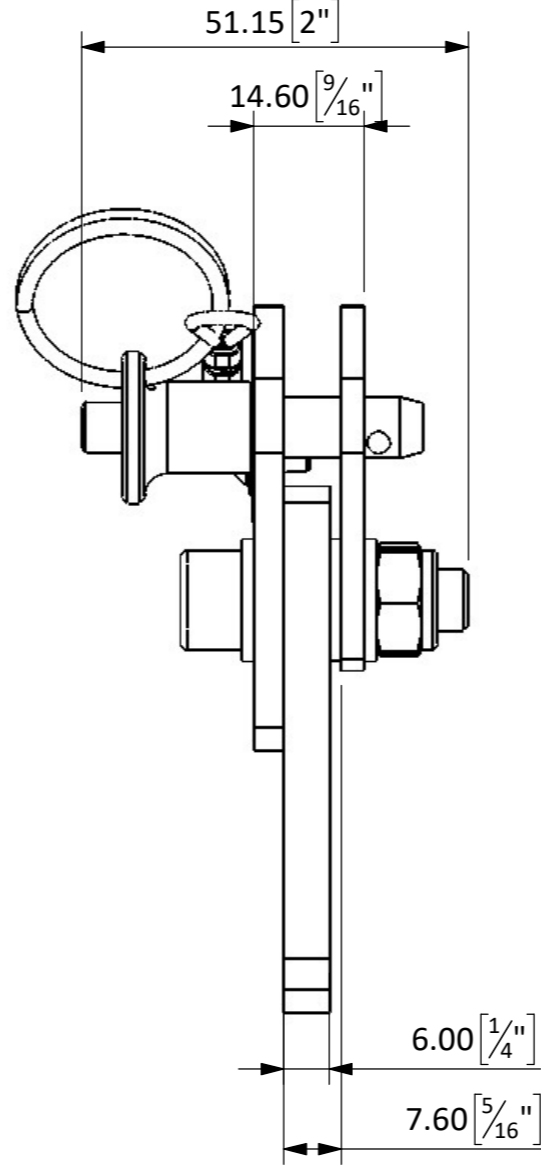
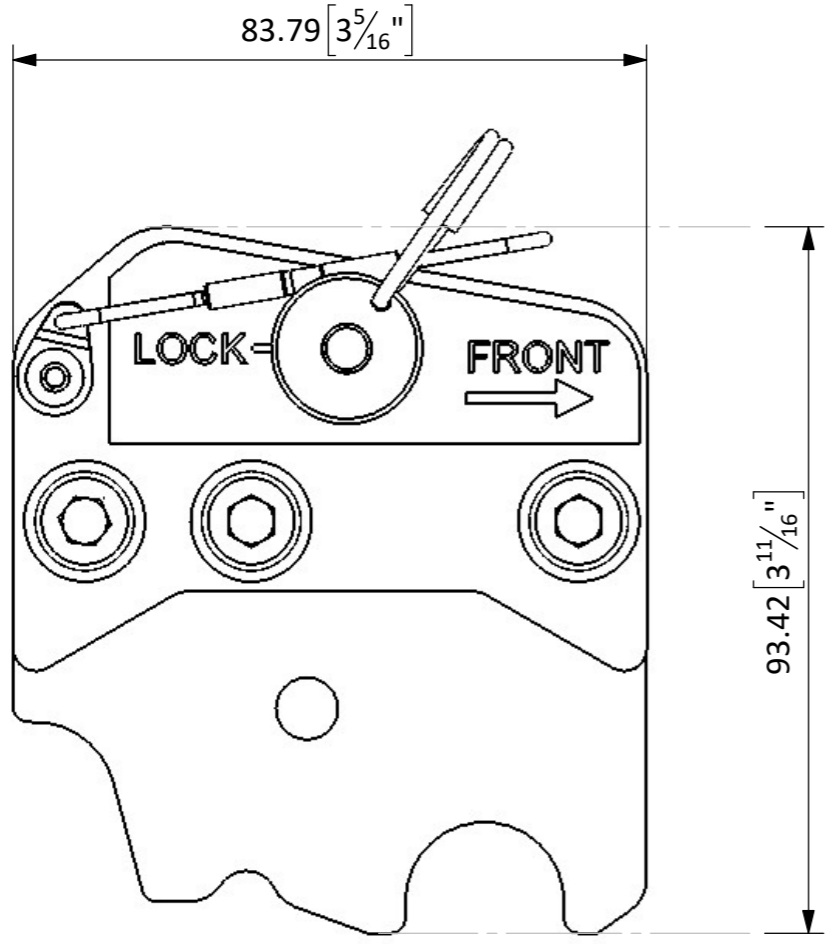
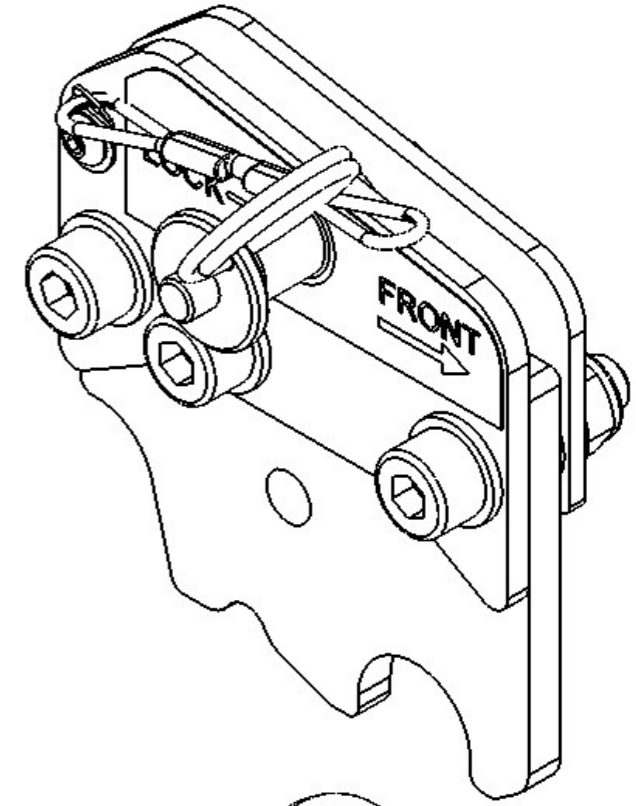
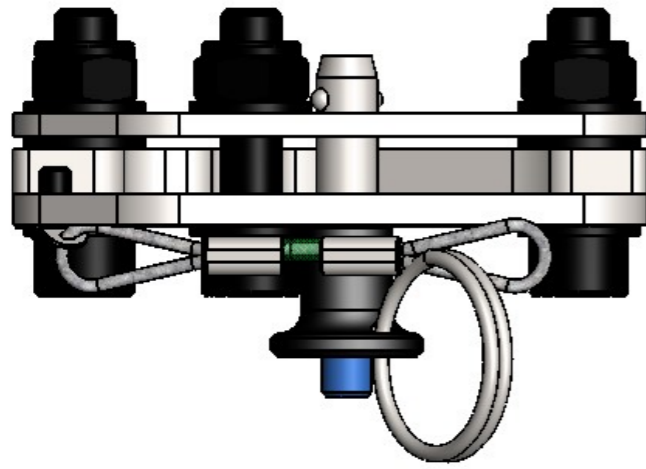


IF IN DOUBT ASK

REV	ECN No	CHANGE DESCRIPTION	DRAWN BY	CHECKED BY	APPROVED BY	APPROVED ON
1	n/a	Additional Production Drawing/Revision Fix	MKJ	-	Admin	27/06/2024



TITLE: Fly Frame RAL Extension		DRAWING No. BR10001-102		SCALE: 1:1		THIRD ANGLE PROJECTION TO BS 8888		UNITS LINEAR - mm WEIGHT - kg ANGULAR - degrees TEMP - C	
PROJECT: Arcline Fly Frame		EST. WEIGHT (kg): 0.52		SAP No. IT1832		FABRICATION UP TO 300mm ±0.2 300mm-500mm ±0.5 500mm - 1m ±1.0 1m - 5m ±2.0		MACHINING BREAK EDGE ±0.5 0.0mm ±0.2 0.00mm ±0.1 0.000mm ±0.01 0.1 - 0.3	
MATERIAL: See Parts		COLOUR: RAL9005 (BLACK)		FINISH: POWDER COAT SEMI-GLOSS		TEXTURE/FINISH: SMOOTH		REPRODUCTION OF ANY PART OF THIS DOCUMENT IS FORBIDDEN WITHOUT PRIOR PERMISSION FROM VOID ACOUSTICS RESEARCH LTD. DESIGN COPYRIGHT RESERVED - CONFIDENTIAL AND PROPRIETARY INFORMATION OF VOID ACOUSTICS RESEARCH LTD. Registered in England & Wales No. 07533536	

