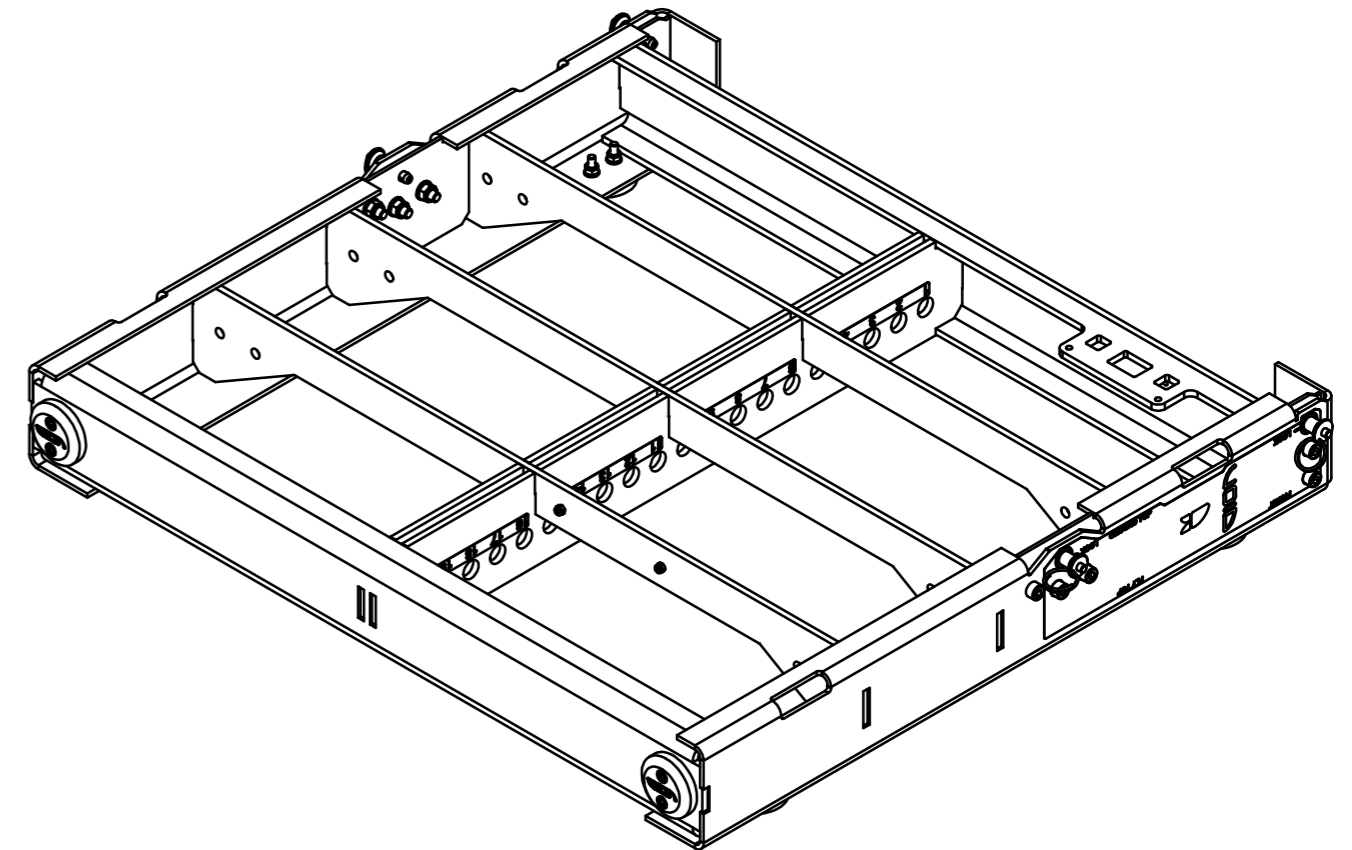
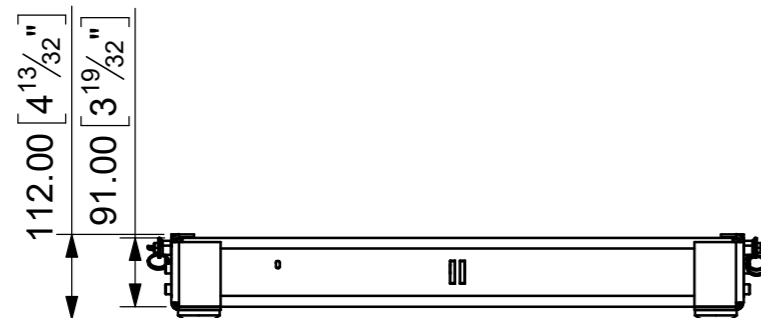
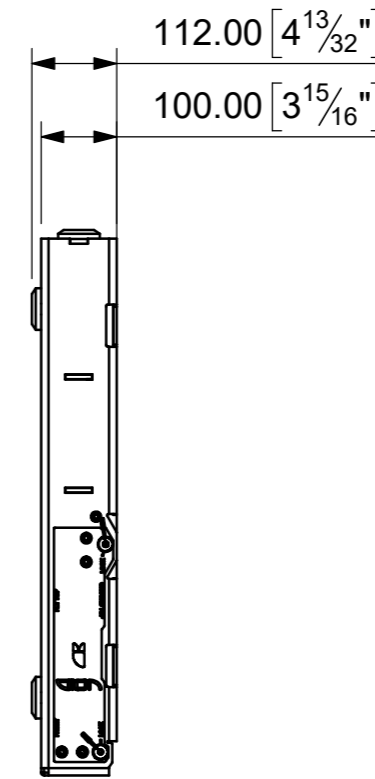
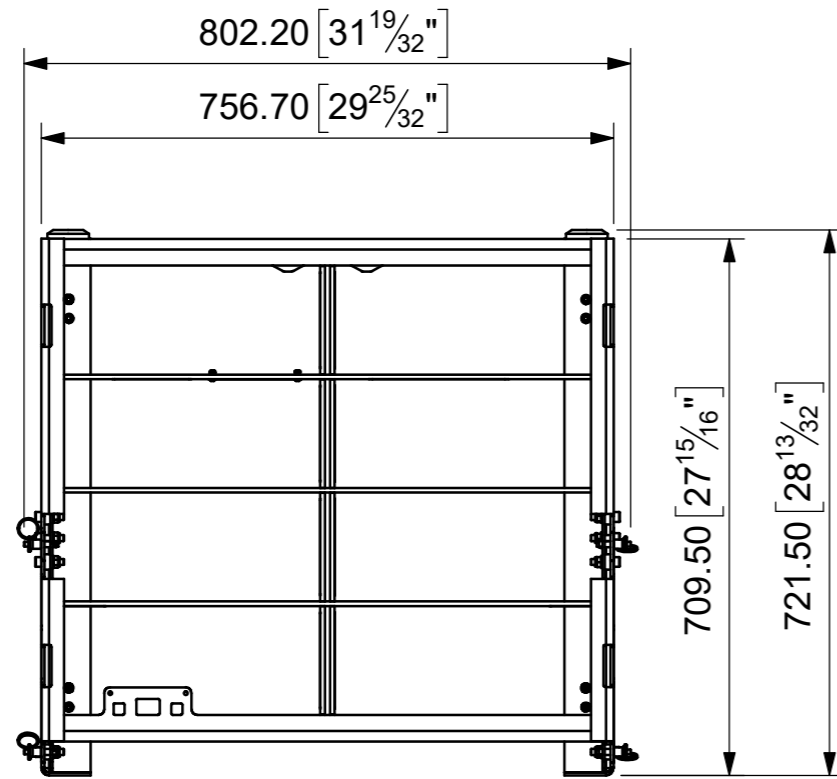



IF IN DOUBT ASK

REV	ECN No	CHANGE DESCRIPTION	DRAWN BY	CHECKED BY	APPROVED BY	APPROVED ON
1	n/a	additional general drawing	MKJ	-	-	01/05/2024



TITLE:		DRAWING No. BR10001-001		SCALE: 1:10		THIRD ANGLE PROJECTION TO BS 8888		UNITS UNLESS OTHERWISE STATED		 VOID VOIDACOUSTICS.COM <small>REPRODUCTION OF ANY PART OF THIS DOCUMENT IS FORBIDDEN WITHOUT PRIOR PERMISSION FROM VOID ACOUSTICS RESEARCH LTD. DESIGN COPYRIGHT RESERVED - CONFIDENTIAL AND PROPRIETARY INFORMATION OF VOID ACOUSTICS RESEARCH LTD. Registered in England & Wales No. 07533536</small>
PROJECT: Arcline Fly Frame		EST. WEIGHT (kg): 30.06		SAP No. IT1837		SHT 1 OF 1 SHTS		FABRICATION UNLESS OTHERWISE STATED		
MATERIAL: See Parts		COLOUR: RAL9005 (BLACK)		TEXTURE/FINISH: SMOOTH		SHEET: A3		MACHINING UNLESS OTHERWISE STATED		
FINISH: POWDER COAT SEMI-GLOSS								LINEAR - mm WEIGHT - kg ANGULAR - degrees TEMP - C ° UP TO 300mm ±0.2 0mm ±0.5 BREAK EDGE 300mm-500mm ±0.5 0.0mm ±0.2 0.05-0.15 500mm - 1m ±1.0 0.00mm ±0.1 0.00mm ±0.1 1m - 5m ±2.0 0.000mm ±0.01 0.1-0.3 ANGULAR ±1 ANGULAR ±0.5 SURFACE TEXTURE VALUES IN MICROMETRES (µm) TO BS1134 PT2. ALL MACHINED SURFACES TO BE ✓ ALL SCREW THREADS TO BS3643 PT2.		