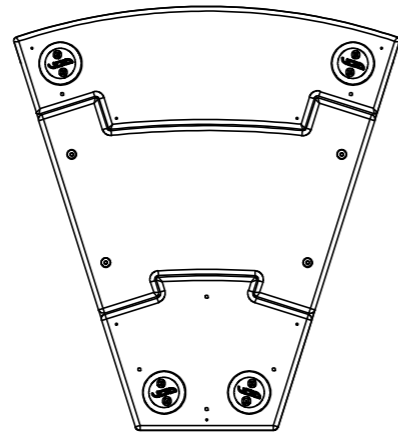
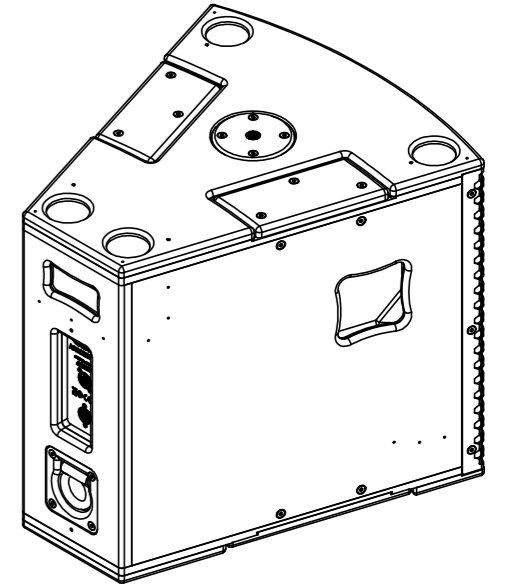
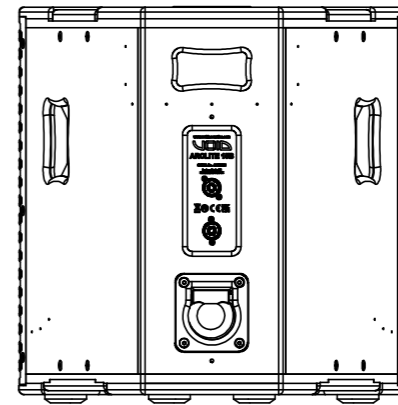
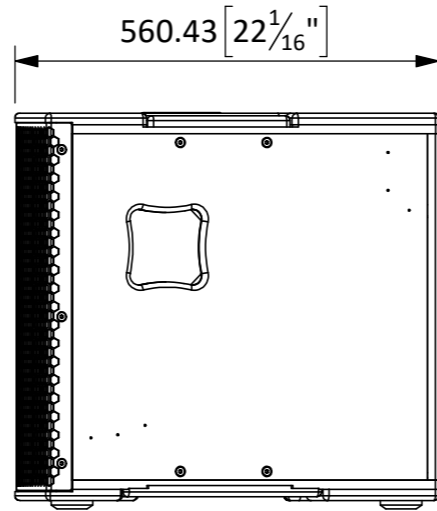
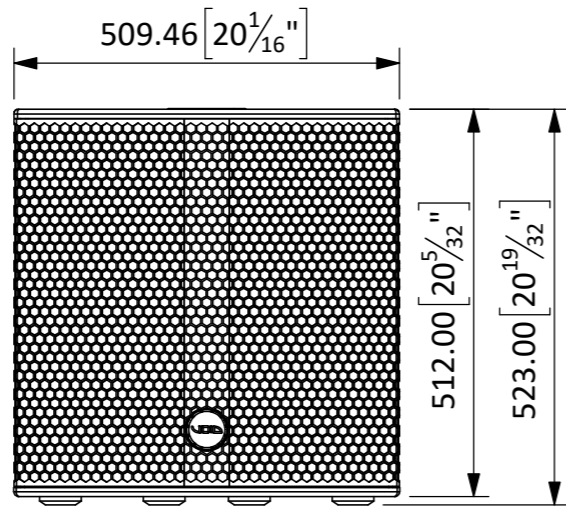
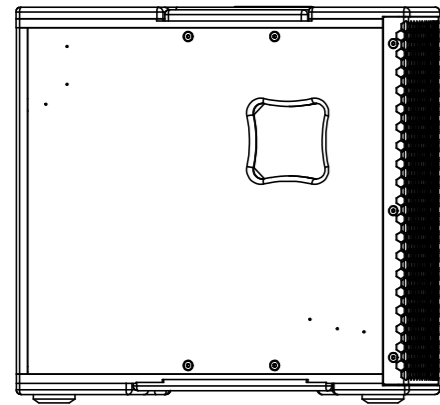
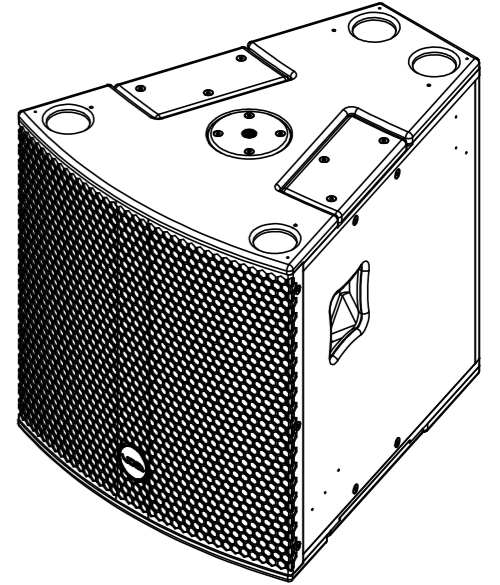
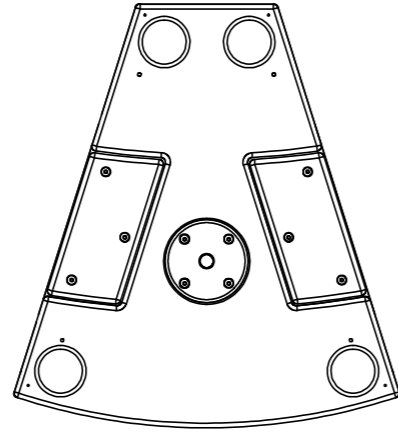


IF IN DOUBT ASK

REV	ECN No	CHANGE DESCRIPTION	DRAWN BY	CHECKED BY	APPROVED BY	APPROVED ON
C	N/A	Additional Drawing	MKJ	-	Admin	06/11/2024



TITLE: Full Assembly without Rigging - Black		DRAWING No. SP10843-101		SCALE: 1:10		THIRD ANGLE PROJECTION TO BS 8888		UNITS UNLESS OTHERWISE STATED LINEAR - mm WEIGHT - kg ANGULAR - degrees TEMP - C		<p>VOIDACOUSTICS.COM</p> <p>REPRODUCTION OF ANY PART OF THIS DOCUMENT IS FORBIDDEN WITHOUT PRIOR PERMISSION FROM VOIDACOUSTICS RESEARCH LTD. DESIGN COPYRIGHT RESERVED - CONFIDENTIAL AND PROPRIETARY INFORMATION OF VOIDACOUSTICS RESEARCH LTD. Registered in England & Wales No. 07533536</p>
PROJECT: Arclite 15B		EST. WEIGHT (kg): 29		SAP No. IT6066		SHT 1 OF 1 SHTS		FABRICATION UNLESS OTHERWISE STATED		
MATERIAL: See Parts		COLOUR: RAL9005 (BLACK)		TEXTURE/FINISH: GRAINED		MACHINING UNLESS OTHERWISE STATED		BREAK EDGE 0mm ± 0.5 0.0mm ± 0.2 0.0mm ± 0.1 0.00mm ± 0.01 0.1 - 0.3		
FINISH: PAINT (POLY)		TEXTURE/FINISH: GRAINED		SCALE: A3		FILLET RADS UP TO 300mm ± 0.2 300mm-500mm ± 0.5 500mm - 1m ± 1.0 1m - 5m ± 2.0 ANGULAR ± 1		ANGULAR ± 0.5		
						SURFACE TEXTURE VALUES IN MICROMETRES (µm) TO BS1134 PT2. ALL MACHINED SURFACES TO BE:		ALL SCREW THREADS TO BS3643 PT.2		