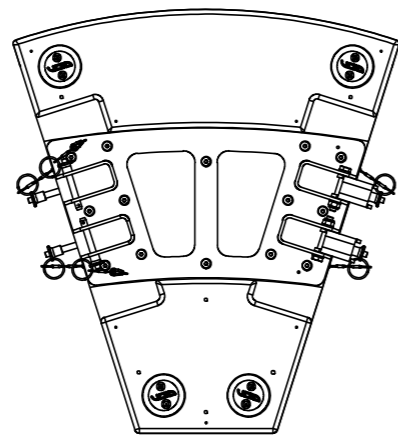
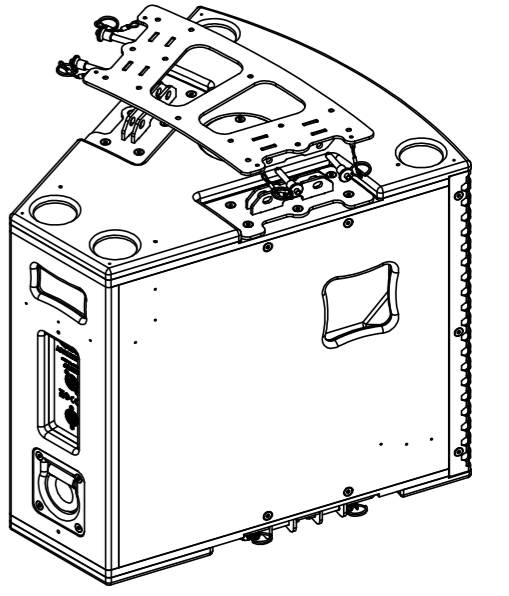
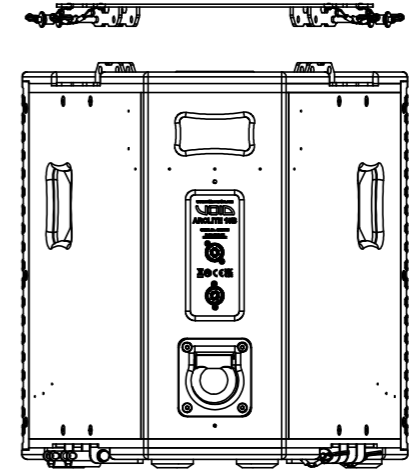
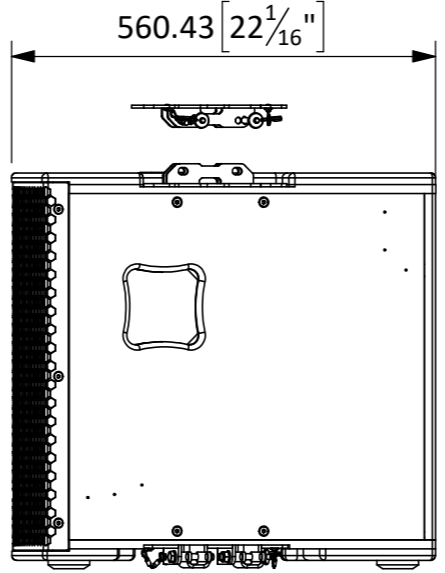
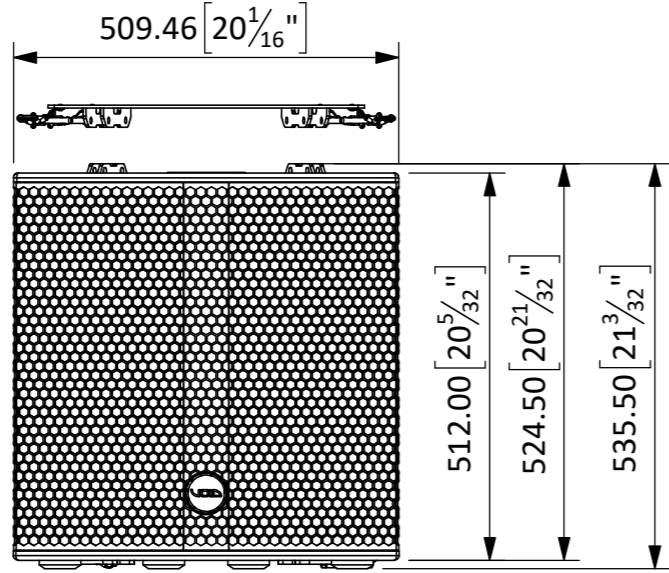
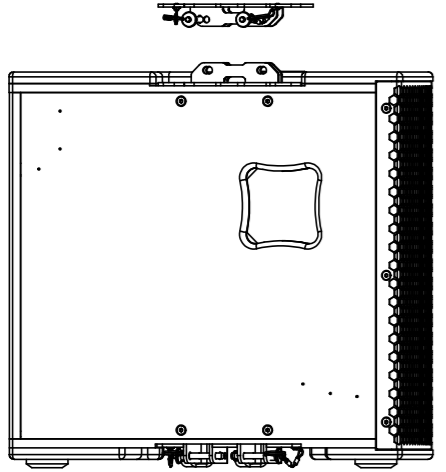
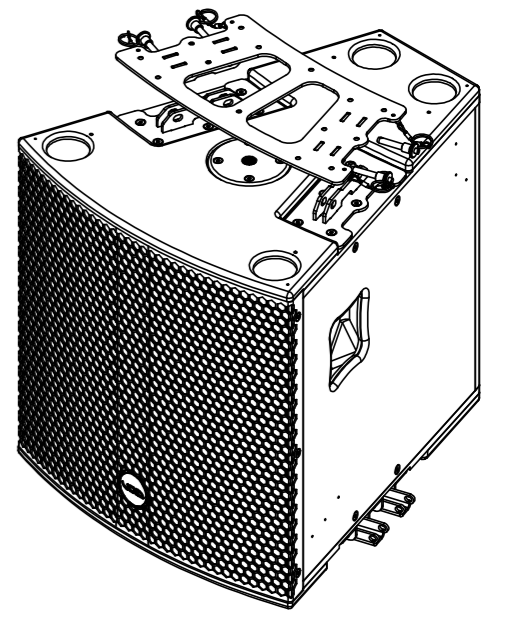
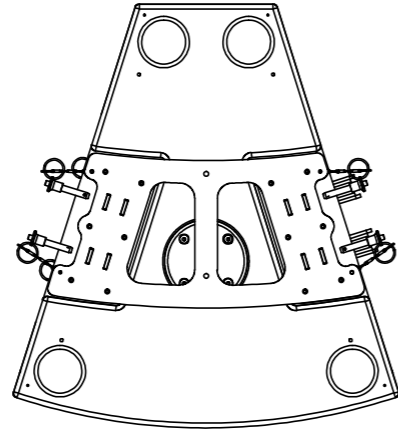


IF IN DOUBT ASK

REV	ECN No	CHANGE DESCRIPTION	DRAWN BY	CHECKED BY	APPROVED BY	APPROVED ON
C	N/A	Additional Drawing	MKJ	-	Admin	06/11/2024



TITLE: Full Assembly with Rigging - Black		DRAWING No. SP10843-102		SCALE: 1:10		THIRD ANGLE PROJECTION TO BS 8888		UNITS UNLESS OTHERWISE STATED LINEAR - mm WEIGHT - kg ANGULAR - degrees TEMP - C		<p>VOIDACOUSTICS.COM</p> <p>REPRODUCTION OF ANY PART OF THIS DOCUMENT IS FORBIDDEN WITHOUT PRIOR PERMISSION FROM VOID ACOUSTICS RESEARCH LTD. DESIGN COPYRIGHT RESERVED - CONFIDENTIAL AND PROPRIETARY INFORMATION OF VOID ACOUSTICS RESEARCH LTD. Registered in England & Wales No. 07533536</p>
PROJECT: Arclite 15B		EST. WEIGHT (kg): 34.5		SAP No. IT6067		FABRICATION UNLESS OTHERWISE STATED		MACHINING UNLESS OTHERWISE STATED		
MATERIAL: See Parts		COLOUR: RAL9005 (BLACK)		TEXTURE/FINISH: GRAINED		UP TO 300mm ±0.2 300mm-500mm ±0.5 500mm - 1m ±1.0 1m - 5m ±2.0 ANGULAR ±1		0mm ±0.5 0.0mm ±0.2 0.00mm ±0.1 0.000mm ±0.01 ANGULAR ±0.5 BREAK EDGE 0.05 - 0.15 FILLET RADS 0.1 - 0.3		
FINISH: PAINT (POLY)		TEXTURE/FINISH: GRAINED		FINISH: GRAINED		SHEET: A3		SURFACE TEXTURE VALUES IN MICROMETRES (µm) TO BS1134 PT2. ALL MACHINED SURFACES TO BE ✓ ALL SCREW THREADS TO BS3643 PT.2		
FINISH: PAINT (POLY)		TEXTURE/FINISH: GRAINED		FINISH: GRAINED		SHEET: A3		SURFACE TEXTURE VALUES IN MICROMETRES (µm) TO BS1134 PT2. ALL MACHINED SURFACES TO BE ✓ ALL SCREW THREADS TO BS3643 PT.2		