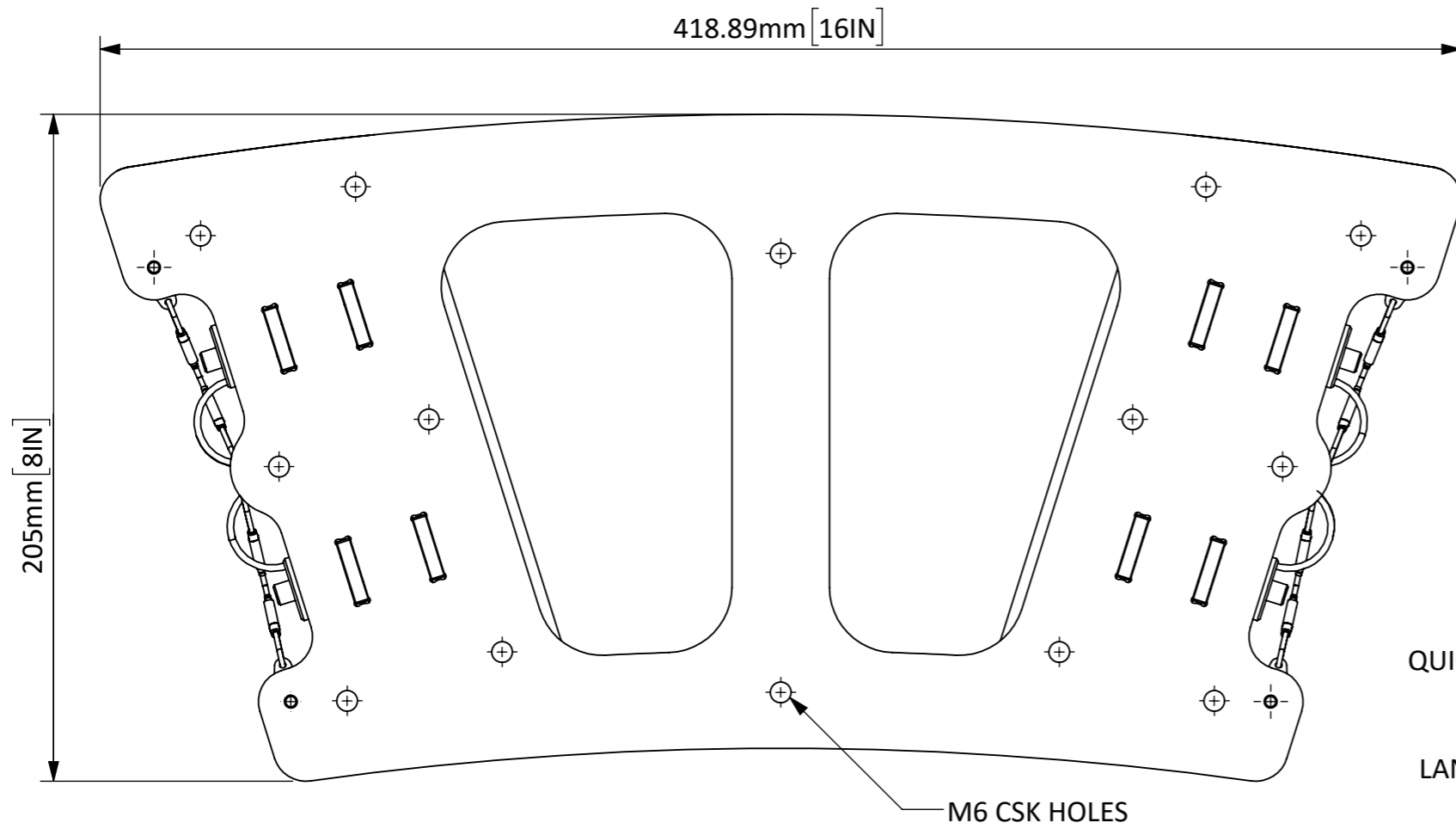
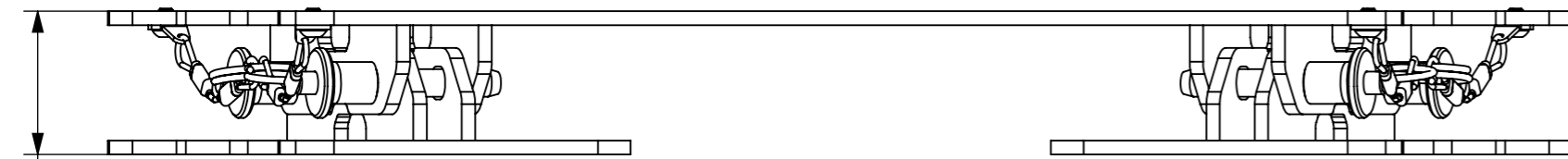


IF IN DOUBT ASK

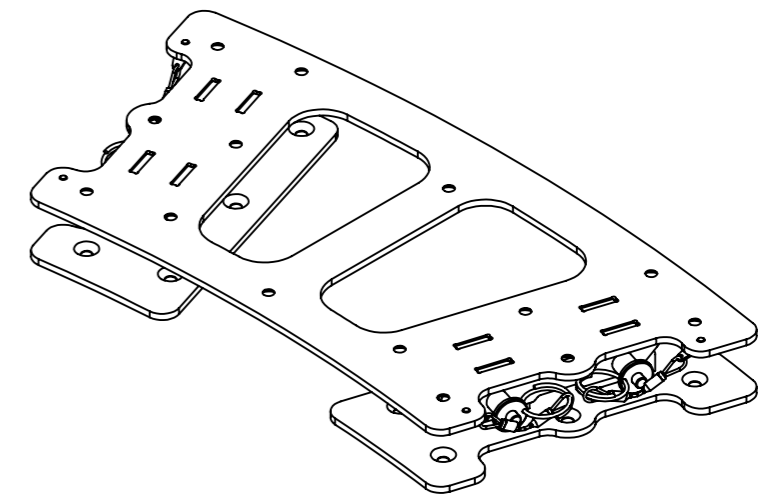
REV	ECN No	CHANGE DESCRIPTION	DRAWN BY	CHECKED BY	APPROVED BY	APPROVED ON
A	-	FIRST RELEASE	MGH			



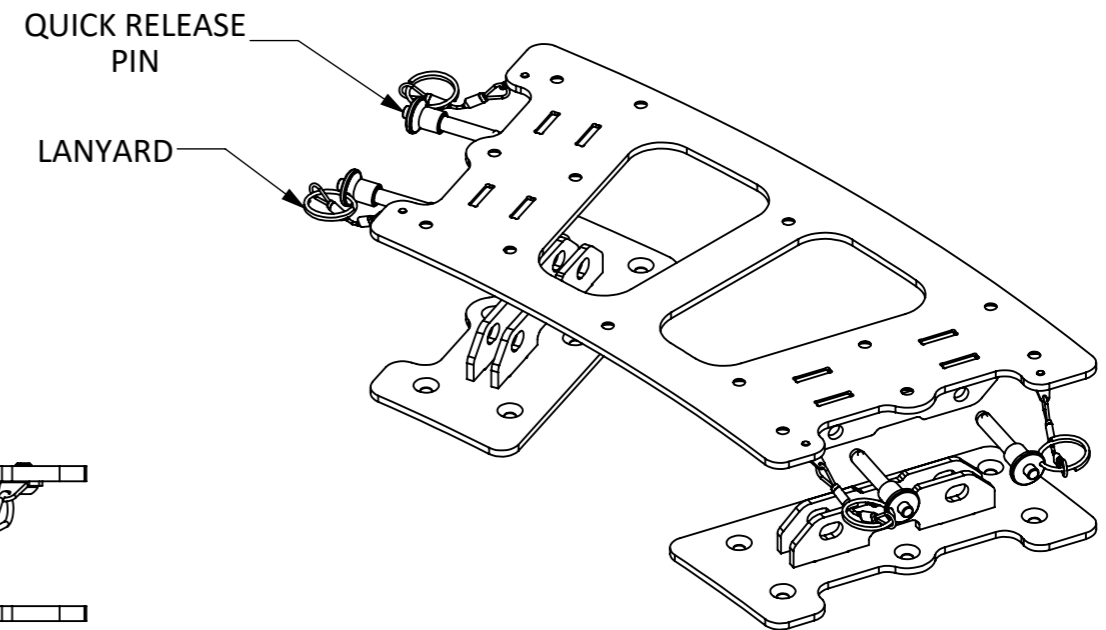
ARCLITE 15 SIDE



ARCLITE 15B SIDE



COUPLED RIGGING ASSEMBLY
ISOMETRIC VIEW
SCALE 1:4



DECOUPLED RIGGING ASSEMBLY
ISOMETRIC VIEW
SCALE 1:4

TITLE: RIGGING ASSEMBLY		DRAWING No. BR10845-001		SCALE: 1:2		THIRD ANGLE PROJECTION TO BS 8888		UNITS UNLESS OTHERWISE STATED LINEAR - mm WEIGHT - kg ANGULAR - degrees TEMP - C°		 VOID VOIDACOUSTICS.COM <small>REPRODUCTION OF ANY PART OF THIS DOCUMENT IS FORBIDDEN WITHOUT PRIOR PERMISSION FROM VOID ACOUSTICS RESEARCH LTD. DESIGN COPYRIGHT RESERVED - CONFIDENTIAL AND PROPRIETARY INFORMATION OF VOID ACOUSTICS RESEARCH LTD. Registered in England & Wales No. 07533536</small>
PROJECT: ARCLITE 15B		EST. WEIGHT (kg): 3.19		SAP No. IT6063		SHT 1 OF 1 SHTS		FABRICATION UNLESS OTHERWISE STATED UP TO 300mm ±0.2 300mm-500mm ±0.5 500mm - 1m ±1.0 1m - 5m ±2.0 ANGULAR ±1		
MATERIAL: SEE BOM		COLOUR: RAL9005 (BLACK)		FINISH: POWDER COAT MATTE		MACHINING UNLESS OTHERWISE STATED 0mm ±0.5 0.0mm ±0.2 0.00mm ±0.1 0.000mm ±0.01 ANGULAR ±0.5		BREAK EDGE 0.05 - 0.15 FILLET RADS 0.1 - 0.3		
FINISH: POWDER COAT MATTE		TEXTURE/FINISH: MATTE		TEXTURE/FINISH: MATTE		SURFACE TEXTURE VALUES IN MICROMETRES (µm) TO BS1134 P12 ALL MACHINED SURFACES TO BE:		ALL SCREW THREADS TO BS3643 PT.2		
FINISH: POWDER COAT MATTE		TEXTURE/FINISH: MATTE		TEXTURE/FINISH: MATTE		SURFACE TEXTURE VALUES IN MICROMETRES (µm) TO BS1134 P12 ALL MACHINED SURFACES TO BE:		ALL SCREW THREADS TO BS3643 PT.2		