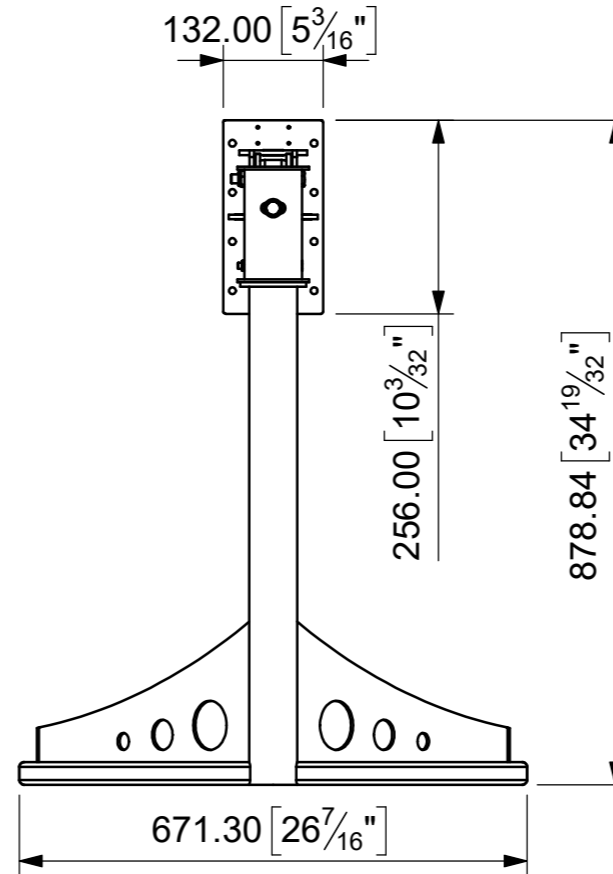
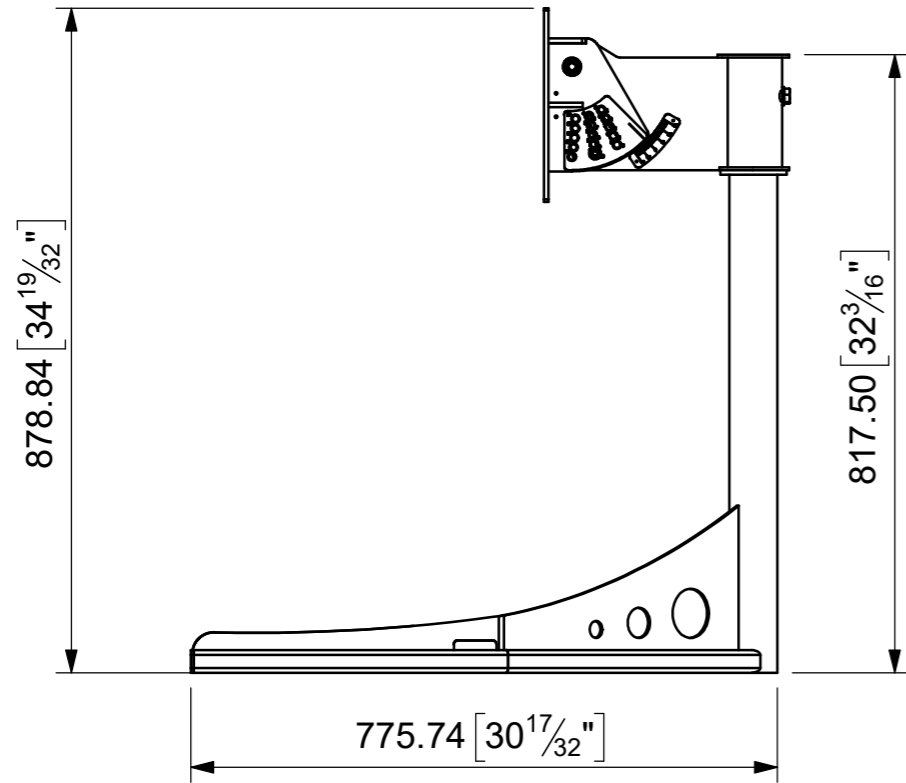
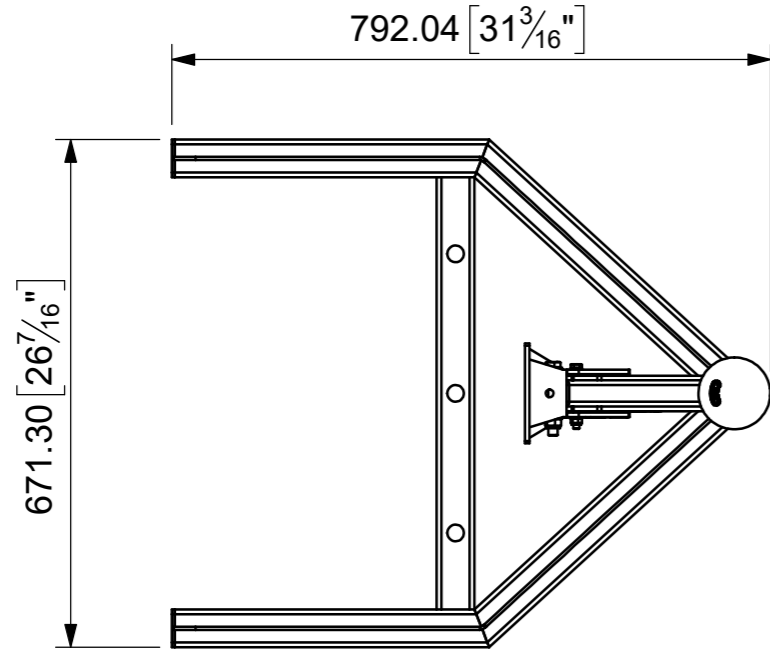


IF IN DOUBT ASK

REV	ECN No	CHANGE DESCRIPTION	DRAWN BY	CHECKED BY	APPROVED BY	APPROVED ON
2	n/a	updated revision numbers	MKJ	-	Admin	04/03/2024
3	C30043	ITEM 2 STRENGTHENED	AC2	AC2	Admin	01/08/2024



TITLE: Full Assembly - Dimensions		DRAWING No. BR10453-101		SCALE: 1:10	THIRD ANGLE PROJECTION TO BS 8888	UNITS UNLESS OTHERWISE STATED		 VOID VOIDACOUSTICS.COM <small>REPRODUCTION OF ANY PART OF THIS DOCUMENT IS FORBIDDEN WITHOUT PRIOR PERMISSION FROM VOIDACOUSTICS RESEARCH LTD. DESIGN COPYRIGHT RESERVED - CONFIDENTIAL AND PROPRIETARY INFORMATION OF VOIDACOUSTICS RESEARCH LTD. Registered in England & Wales No. 07533536</small>
PROJECT: Nexus 6 GS Bracket	EST. WEIGHT (kg): 23.21	SAP No. IT1122	SHT 1 OF 1 SHTS			FABRICATION UNLESS OTHERWISE STATED	MACHINING UNLESS OTHERWISE STATED	
MATERIAL: 304 st/st (1.4301)	COLOUR: RAL9005 (BLACK)		FINISH: POWDER COAT MATTE		UP TO 300mm ±0.2 300mm-500mm ±0.5 500mm - 1m ±1.0 1m - 5m ±2.0 ANGULAR ±1	0mm ±0.5 0.0mm ±0.2 0.00mm ±0.1 0.000mm ±0.01 ANGULAR ±0.5	BREAK EDGE 0.05 - 0.15 Fillet RADS 0.1 - 0.3	
SURFACE TEXTURE VALUES IN MICROMETRES (µm) TO BS1134 PT2. ALL MACHINED SURFACES TO BE ✓ ALL SCREW THREADS TO BS3643 PT2.					A3			