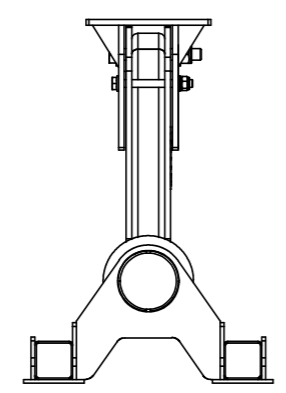
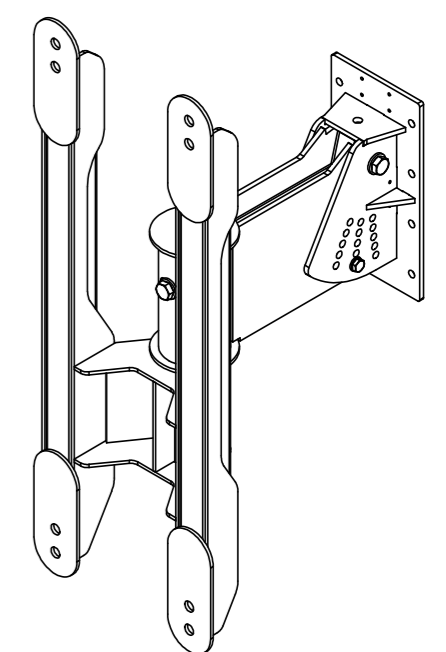
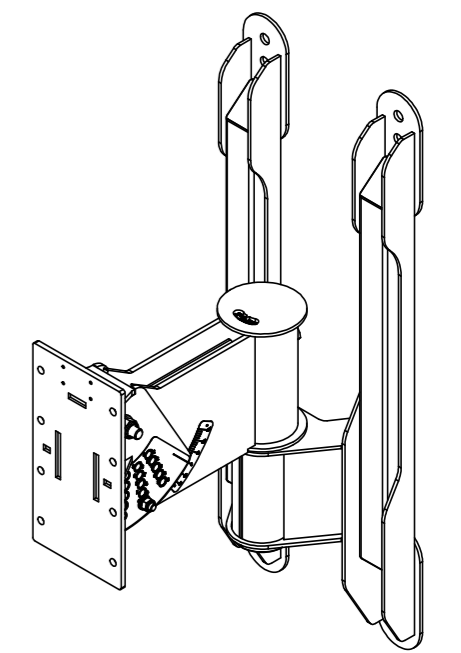
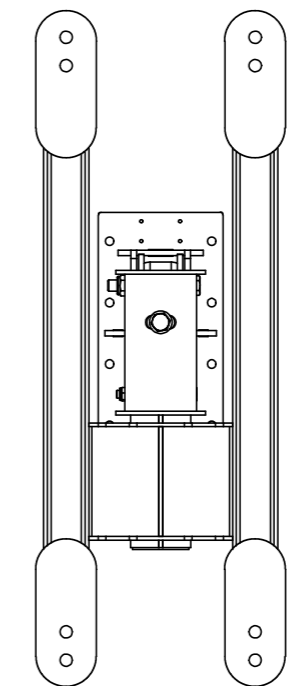
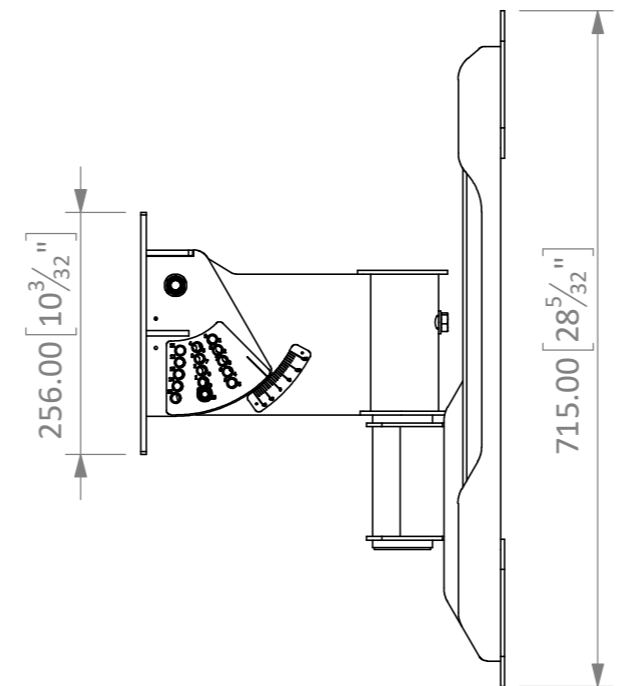
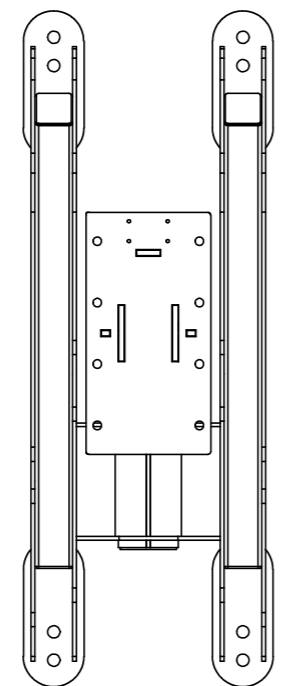
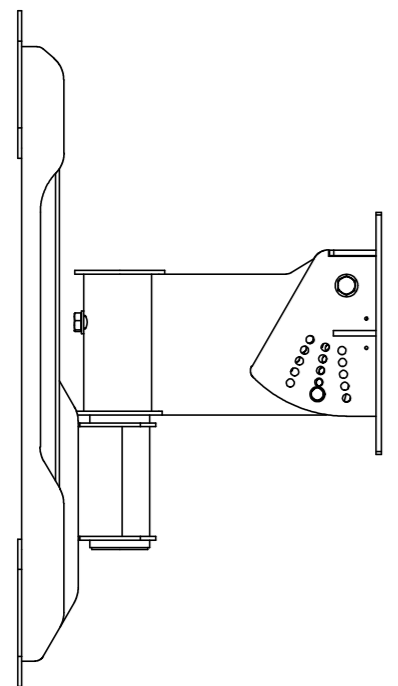
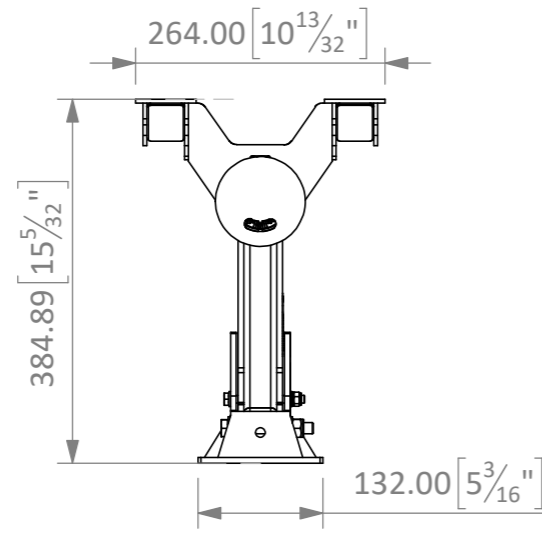


IF IN DOUBT ASK

| REV | ECN No | CHANGE DESCRIPTION | DRAWN BY | CHECKED BY | APPROVED BY | APPROVED ON |
|-----|--------|--------------------|----------|------------|-------------|-------------|
| A   | n/a    | New Drawing        | MKJ      | -          | MKJ         | 22/07/2024  |



**NOTE:**  
FASTENERS MUST BE RATED TO 7.5KN

|  |  |  |  |   |  |  |  |  |  |   |
|--|--|--|--|---|--|--|--|--|--|---|
| <b>TITLE:</b><br>Full Assy<br><b>PROJECT:</b><br>NEXUS 6 Wall Bracket<br><b>MATERIAL:</b><br>304 st/st (1.4301)<br><b>FINISH:</b><br>POWDER COAT MATTE |  | <b>DRAWING No.:</b><br>BR10854-001<br><b>SAP No.:</b><br>IT5980<br><b>COLOUR:</b><br>RAL9005 (BLACK)<br><b>TEXTURE/FINISH:</b><br>SMOOTH |  | <b>SCALE:</b><br>1:8<br><b>SHT 1 OF 1 SHTS</b><br><b>SHEET:</b><br>A3 |  | <b>THIRD ANGLE PROJECTION TO BS 8888</b><br>   |  | <b>UNITS</b><br>LINEAR - mm    WEIGHT - kg<br>ANGULAR - degrees    TEMP - C° |  | <br>VOIDACOUSTICS.COM<br><small>REPRODUCTION OF ANY PART OF THIS DOCUMENT IS FORBIDDEN WITHOUT PRIOR PERMISSION FROM VOID ACOUSTICS RESEARCH LTD. DESIGN COPYRIGHT RESERVED - CONFIDENTIAL AND PROPRIETARY INFORMATION OF VOID ACOUSTICS RESEARCH LTD. Registered in England &amp; Wales No. 07533536</small> |
| <b>FABRICATION</b><br>UP TO 300mm ±0.2<br>300mm-500mm ±0.5<br>500mm - 1m ±1.0<br>1m - 5m ±2.0<br>ANGULAR ±1  |  | <b>MACHINING</b><br>0mm ±0.5<br>0.0mm ±0.2<br>0.00mm ±0.1<br>0.000mm ±0.01<br>ANGULAR ±0.5   |  | <b>BREAK EDGE</b><br>0.05 - 0.15<br><b>FILLET RADS</b><br>0.1 - 0.3   |  | <b>SURFACE TEXTURE VALUES IN MICROMETRES (µm) TO BS1134 PT2.</b><br>ALL MACHINED SURFACES TO BE:    ALL SCREW THREADS TO BS3643 PT.2 |  |  |  |   |