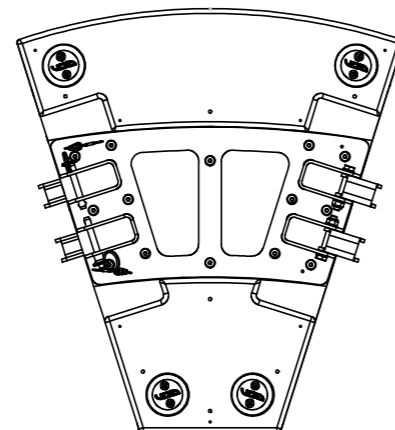
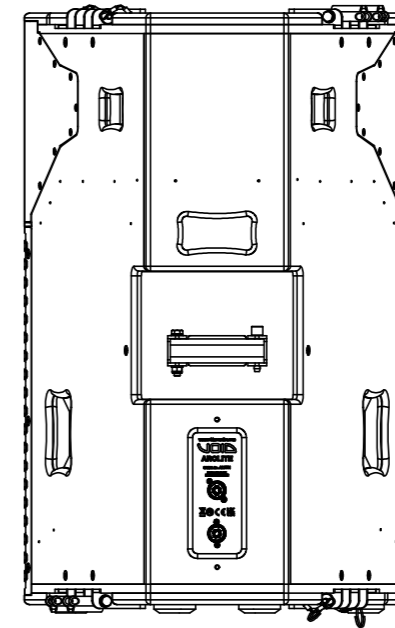
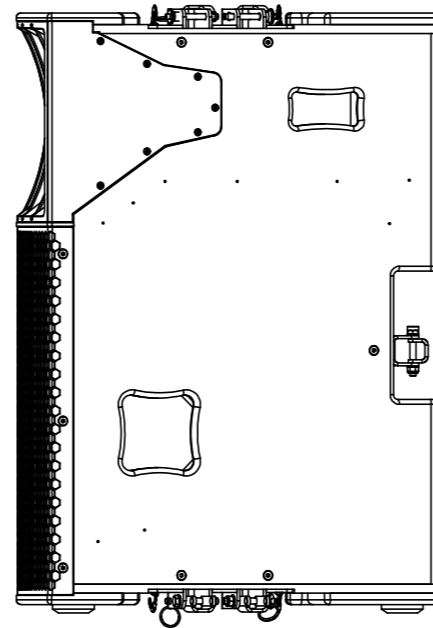
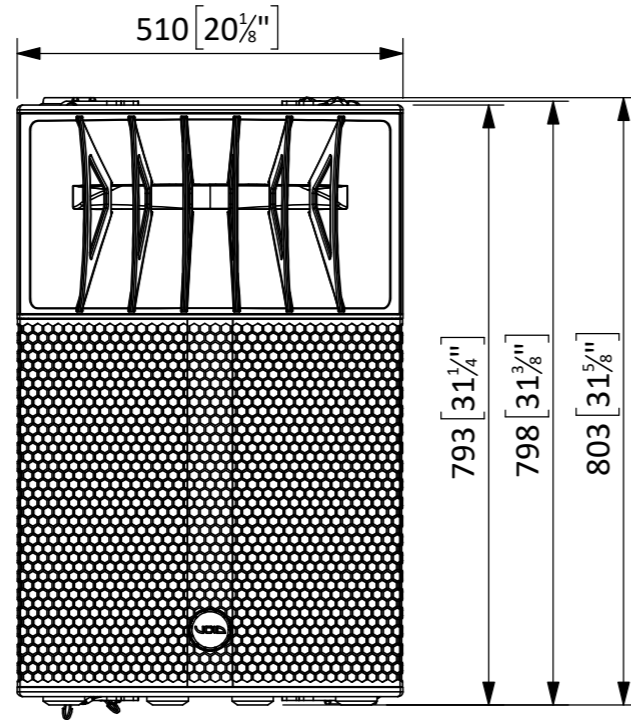
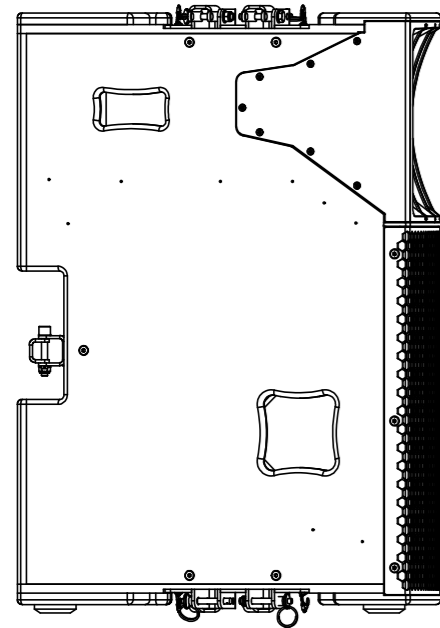
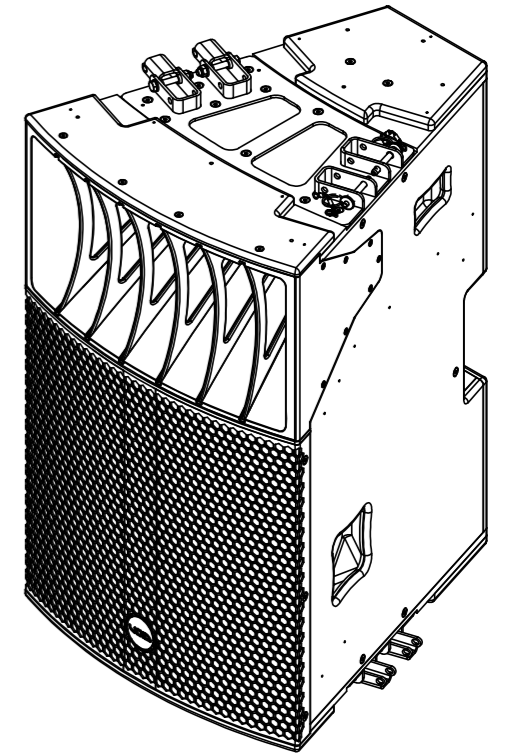
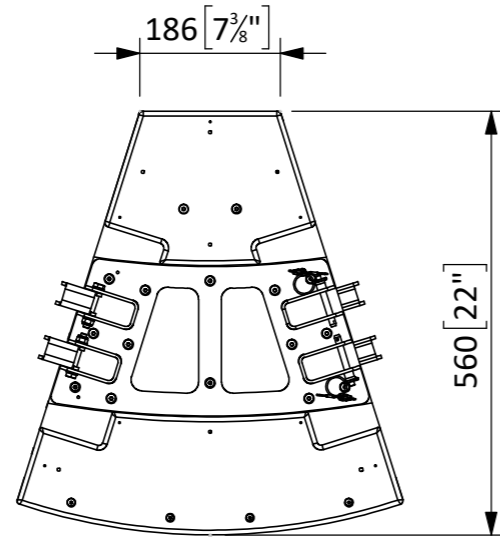


IF IN DOUBT ASK(如有疑问,请提出)

版本	修改编号	修改内容	绘图	检查	批准	批准日期
REV	ECN No	CHANGE DESCRIPTION	DRAWN BY	CHECKED BY	APPROVED BY	APPROVED ON
5	C30065	Up Issue for Assembly Parts (Side Plate Rebates Increased by 2mm)	JYY	Admin	TB	18/10/2024
6	C30050	remove the line under the serial Number.	JYY	pending	pending	pending



TITLE:(标题) <b>Full Assembly (Phantom)</b>		DRAWING No.(图号) <b>SP10243-001</b>	SCALE: <b>1:10</b>	THIRD ANGLE PROJECTION TO BS 8888	UNITS:(图纸尺寸单位) 除非图纸标注另有说明	 <b>VOID</b> VOIDACOUSTICS.COM 未经VOID ACOUSTICS RESEARCH LTD许可, 禁止生产该图纸的任何内容 ©设计版权所有 - VOID ACOUSTICS RESEARCH LTD 注册于英格兰和威尔士, 注册号: 07533536
PROJECT:(项目) <b>Arclite</b>	EST. WEIGHT (kg): <b>59.91</b>	SAP No. <b>IT4269</b>	SHT 1 OF 1 SHTS	FABRICATION(机械制造)	MACHINING(机械加工)	
MATERIAL:(材质) <b>See Parts</b>	COLOUR:(颜色) <b>RAL9005 (BLACK)</b>		SHEET: <b>A3</b>	UP TO 300mm ±0.2 300mm-500mm ±0.5 500mm - 1m ±1.0 1m - 5m ±2.0	0mm ±0.5 BREAK EDGE(倒角) 0.0mm ±0.2 0.00mm ±0.1 0.000mm ±0.01 ANGULAR(角度) ±0.5°	
FINISH:(表面处理) <b>PAINT (POLY)</b>	TEXTURE/FINISH:(纹理) <b>SMALL-GRAINED</b>			表面粗糙度单位为微米(µm) 参考BS1134-PT2 所有螺纹参数依据BS3643 PT-2: 所有机加工表面粗糙度为	除非图纸标注另有说明	