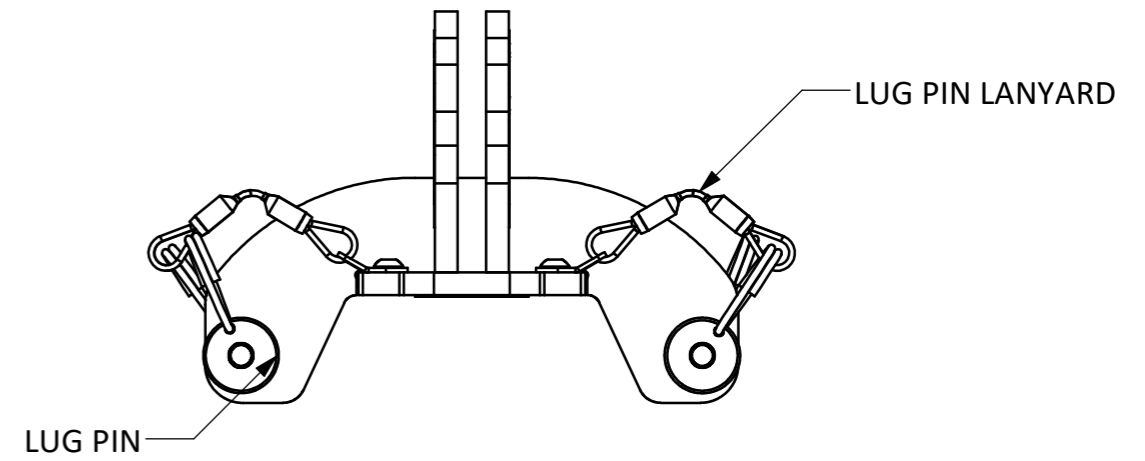
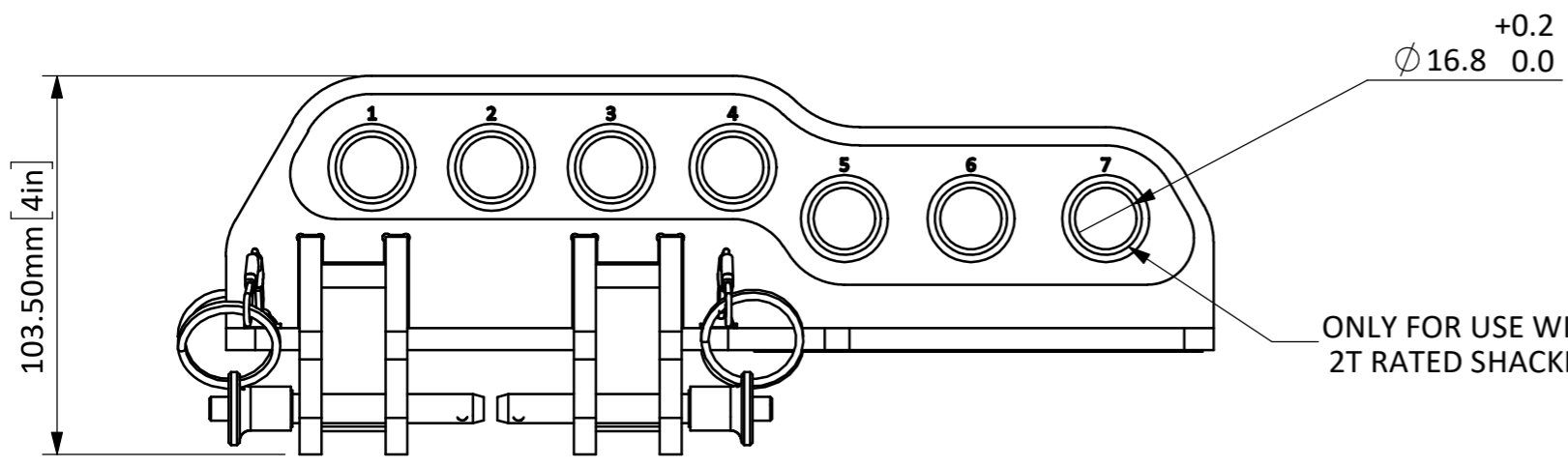
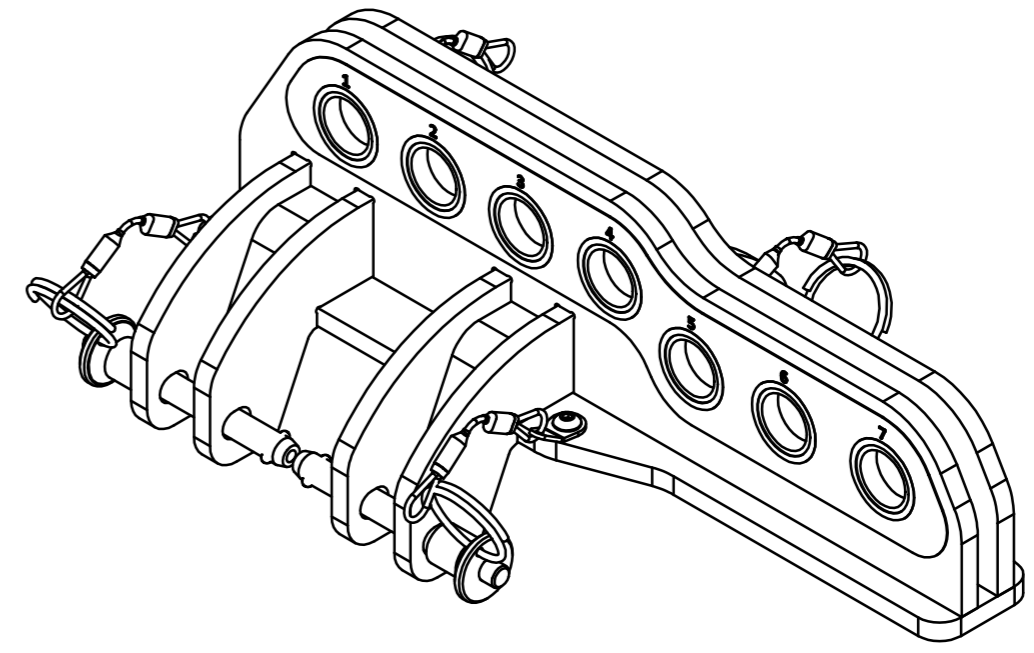
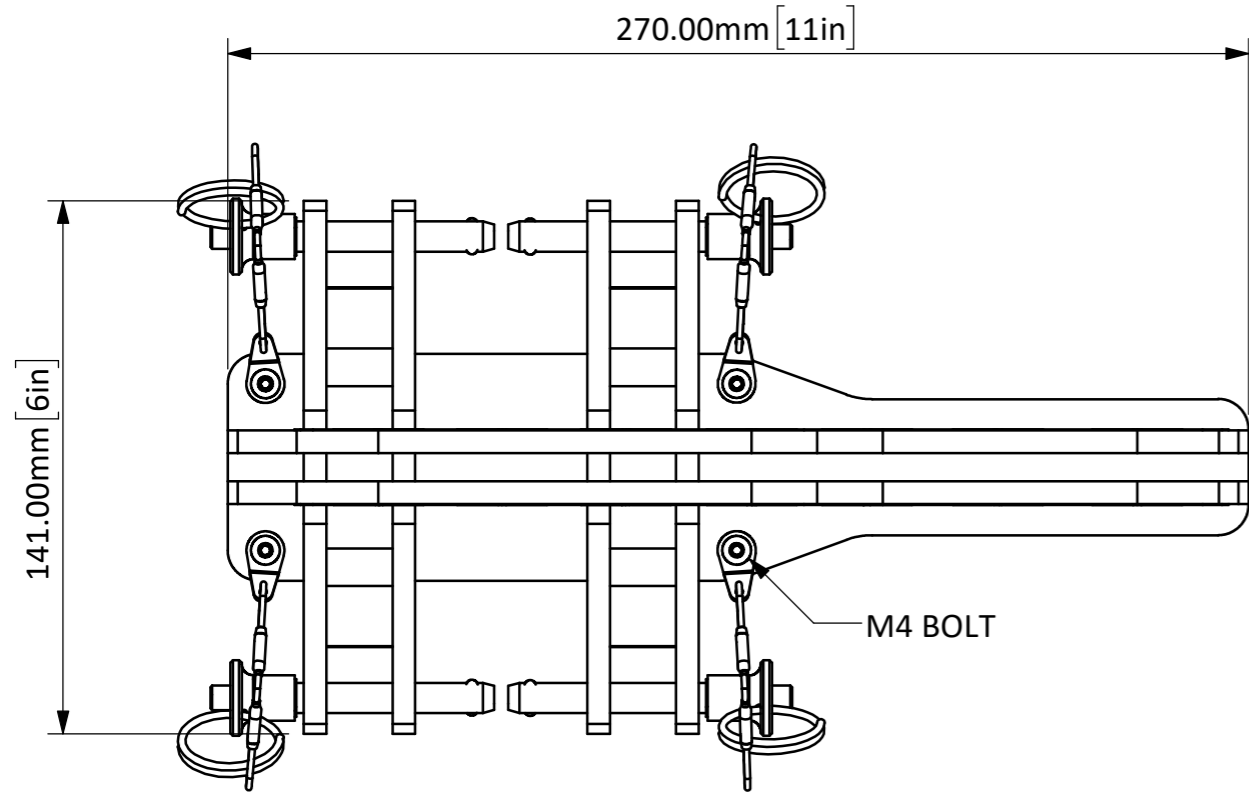


IF IN DOUBT ASK

REV	ECN No	CHANGE DESCRIPTION	DRAWN BY	CHECKED BY	APPROVED BY	APPROVED ON
I	C30073	Changed Pins from 40mm to 45mm	MKJ	-	Admin	18/11/2024
J	C30074	Up Issue for Assembly Part (AW10848-101)	MKJ	-	Admin	19/11/2024



<b>TITLE:</b> VERTICAL FLY BAR Full Assembly - Black		<b>DRAWING No.</b> CH10537-001		<b>SCALE:</b> 1:2		<b>THIRD ANGLE PROJECTION TO BS 8888</b>		<b>UNITS</b> UNLESS OTHERWISE STATED LINEAR - mm    WEIGHT - kg ANGULAR - degrees    TEMP - C		<p><b>VOID</b></p> <p>VOIDACOUSTICS.COM</p> <p>REPRODUCTION OF ANY PART OF THIS DOCUMENT IS FORBIDDEN WITHOUT PRIOR PERMISSION FROM VOIDACOUSTICS RESEARCH LTD. DESIGN COPYRIGHT RESERVED - CONFIDENTIAL AND PROPRIETARY INFORMATION OF VOIDACOUSTICS RESEARCH LTD. Registered in England &amp; Wales No. 07533536</p>
<b>PROJECT:</b> Arclite Rigging		<b>EST. WEIGHT (kg):</b> 3.17		<b>SAP No.</b> IT4310		<b>FABRICATION</b> UNLESS OTHERWISE STATED		<b>MACHINING</b> UNLESS OTHERWISE STATED		
<b>MATERIAL:</b> See Parts		<b>COLOUR:</b> RAL9005 (BLACK)		<b>SHT 1 OF 1 SHTS</b>		UP TO 300mm $\pm 0.2$ 0mm $\pm 0.5$ BREAK EDGE 300mm-500mm $\pm 0.5$ 0.0mm $\pm 0.2$ 0.05 - 0.15 500mm - 1m $\pm 1.0$ 0.00mm $\pm 0.1$ 1m - 5m $\pm 2.0$ 0.000mm $\pm 0.01$ FILLET RADS ANGULAR $\pm 1$ ANGULAR $\pm 0.5$ 0.1 - 0.3				
<b>FINISH:</b> POWDER COAT MATTE		<b>TEXTURE/FINISH:</b> SMOOTH		<b>SHEET:</b> A3		SURFACE TEXTURE VALUES IN MICROMETRES ( $\mu m$ ) TO BS1134 PT2. ALL MACHINED SURFACES TO BE $\sqrt{\text{ }}$ ALL SCREW THREADS TO BS3643 PT2.				