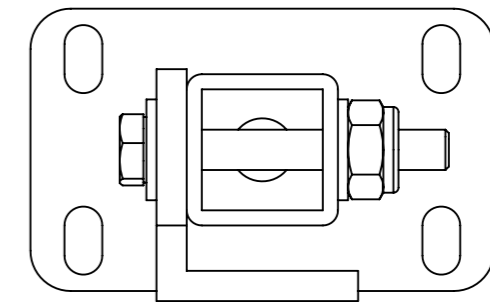
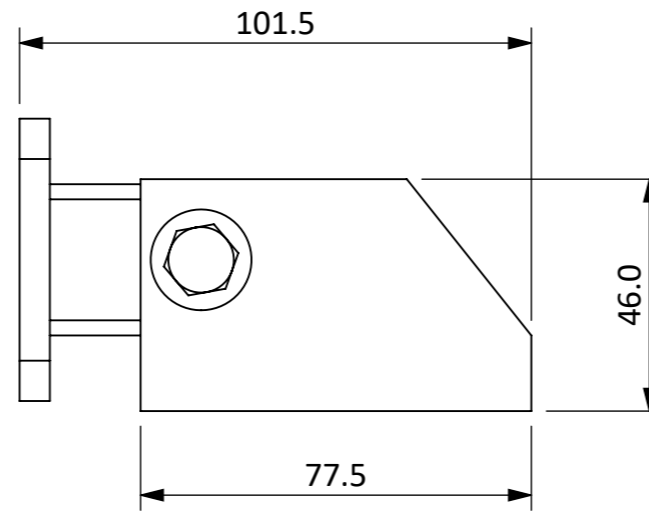
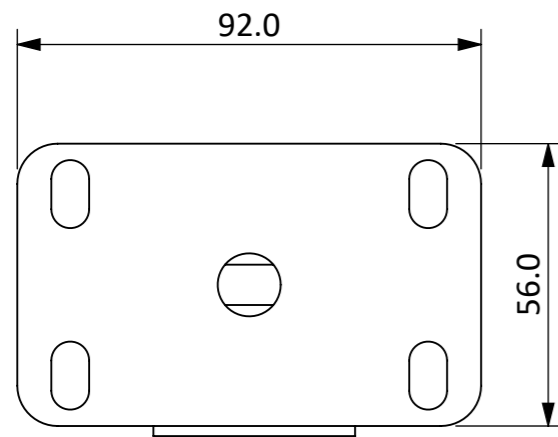
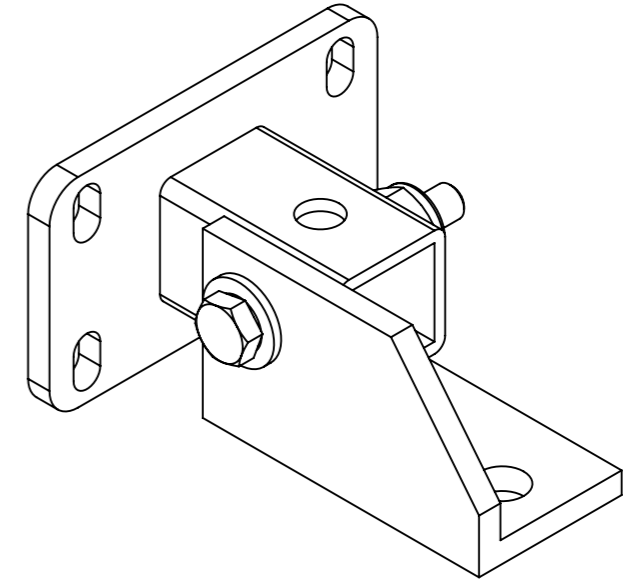
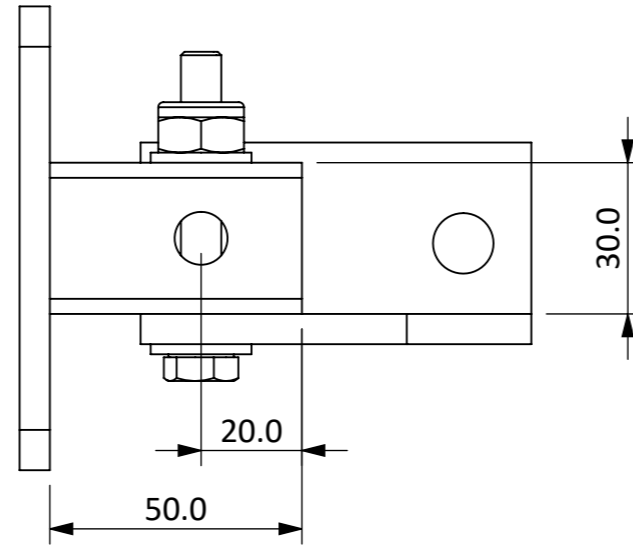
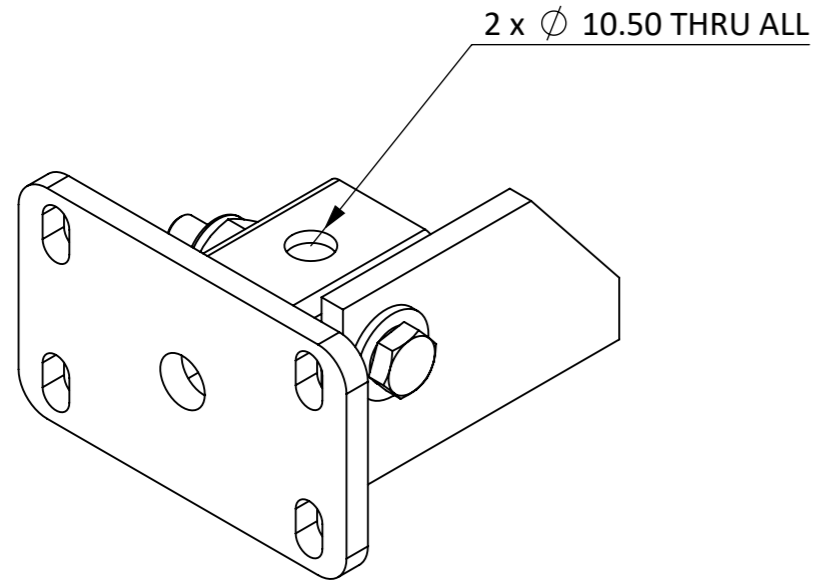


IF IN DOUBT ASK

| REV | ECN No | CHANGE DESCRIPTION | DRAWN BY | CHECKED BY | APPROVED BY | APPROVED ON |
|-----|--------|--------------------|----------|------------|-------------|-------------|
| 1 | n/a | Added to PDM | JB | - | Admin | 10/08/2023 |



| | | | | | | | | | | |
|--|--|---|--|---|--|---|--|---|--|---|
| TITLE: T51 - Stud Bracket | | DRAWING No. BR10469-202 | | SCALE: 1:1.5 | | THIRD ANGLE PROJECTION TO BS 8888 | | UNITS UNLESS OTHERWISE STATED LINEAR - mm WEIGHT - kg ANGULAR - degrees TEMP - C | | <p>VOIDACOUSTICS.COM</p> <p>REPRODUCTION OF ANY PART OF THIS DOCUMENT IS FORBIDDEN WITHOUT PRIOR PERMISSION FROM VOID ACOUSTICS RESEARCH LTD. DESIGN COPYRIGHT RESERVED - CONFIDENTIAL AND PROPRIETARY INFORMATION OF VOID ACOUSTICS RESEARCH LTD. Registered in England & Wales No. 07533536</p> |
| PROJECT: Brackets | | EST. WEIGHT (kg): 0.51 | | SAP No. IT3439 | | SHT 1 OF 1 SHTS | | FABRICATION UNLESS OTHERWISE STATED | | |
| MATERIAL: TBC | | COLOUR: White | | TEXTURE/FINISH: Smooth | | MACHINING UNLESS OTHERWISE STATED | | BREAK EDGE 0mm ± 0.5 0.05 - 0.15 0.0mm ± 0.2 0.00mm ± 0.1 0.00mm ± 0.1 0.000mm ± 0.01 FILLET RADS 1m - 5m ± 2.0 0.1 - 0.3 ANGULAR ± 1 ± 0.5 | | |
| FINISH: Powder Coat Matte | | SURFACE TEXTURE VALUES IN MICROMETRES (µm) TO BS1134 P12 | | ALL MACHINED SURFACES TO BE | | ALL SCREW THREADS TO BS3643 PT.2 | | | | |
| | | | | | | | | | | |